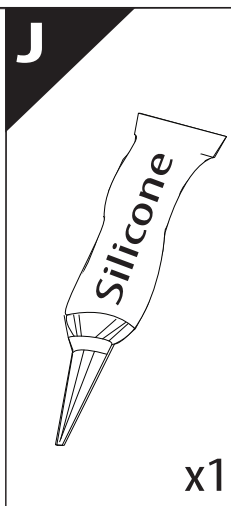
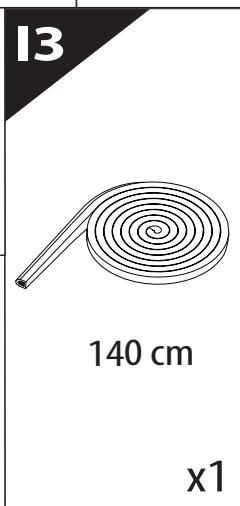
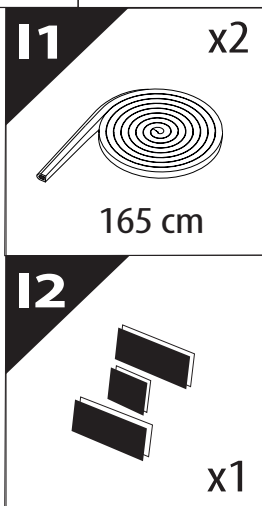
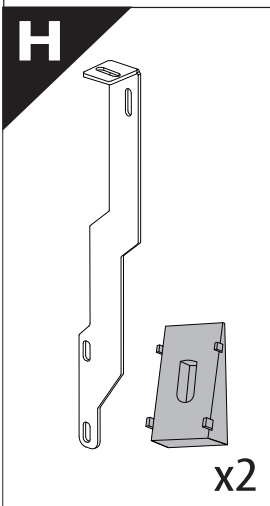
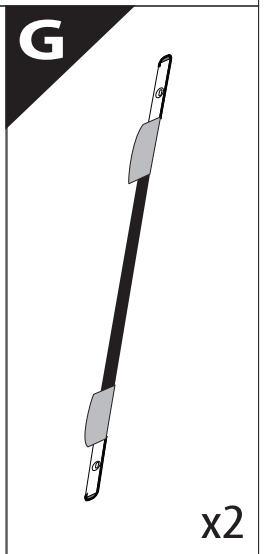
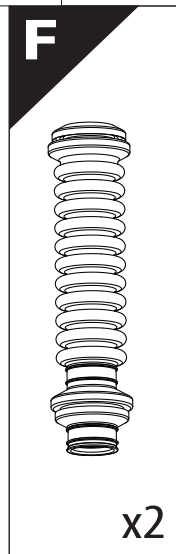
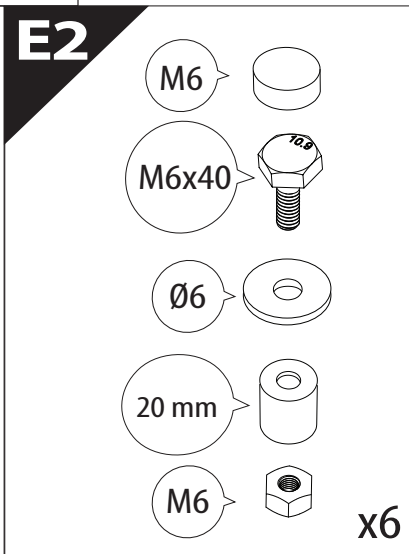
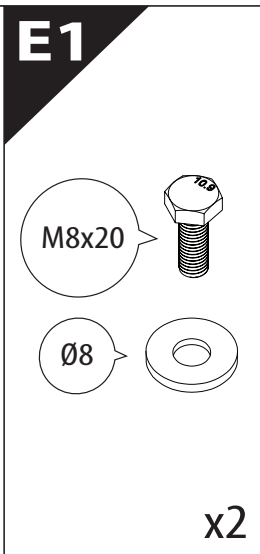
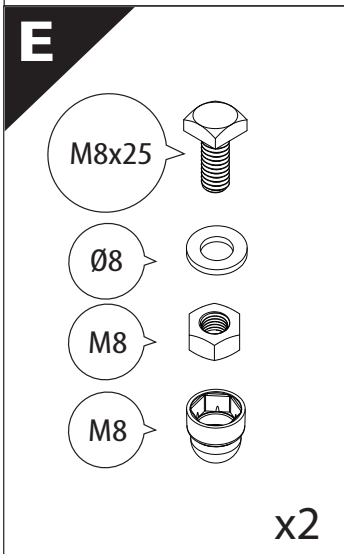
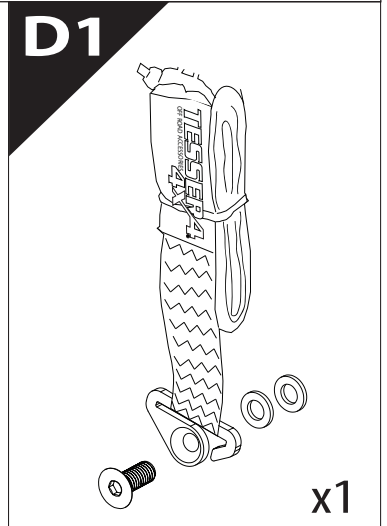
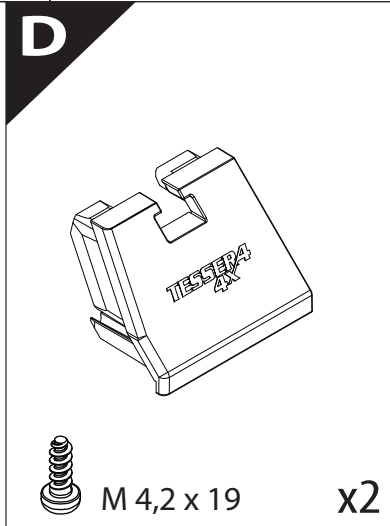
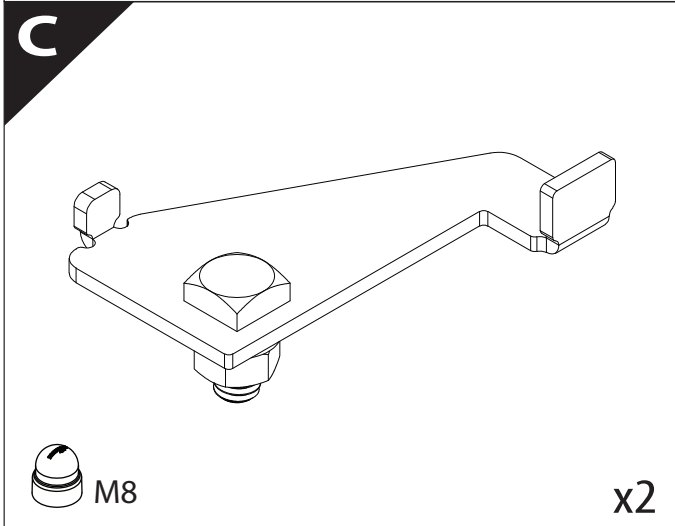
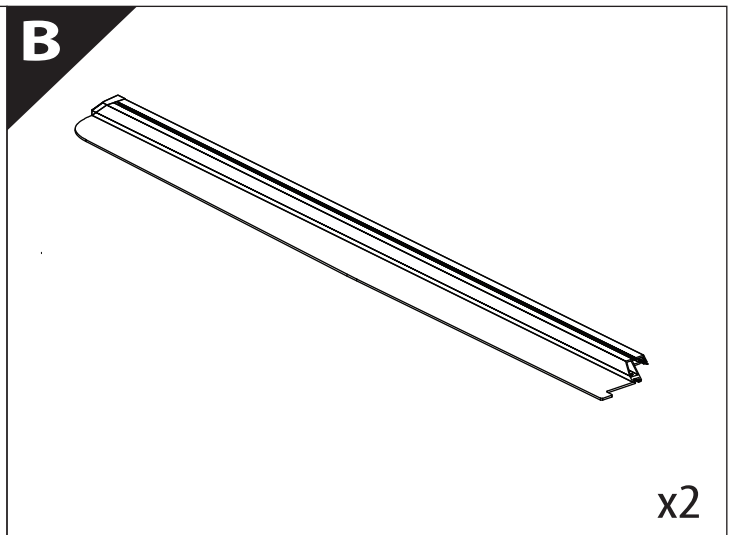
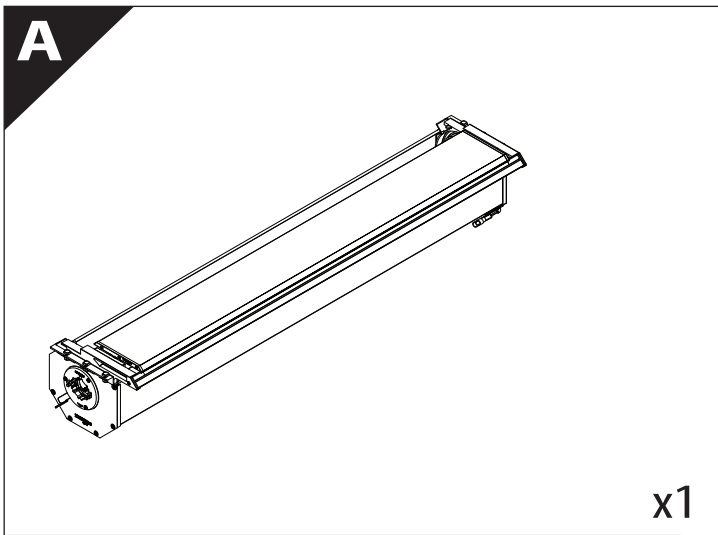
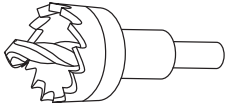


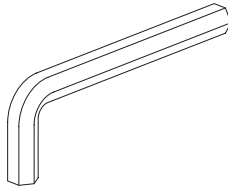
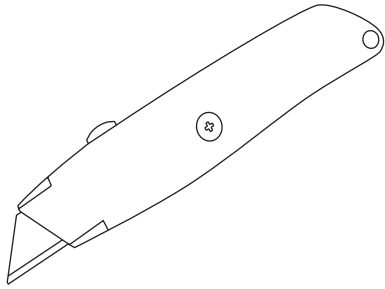
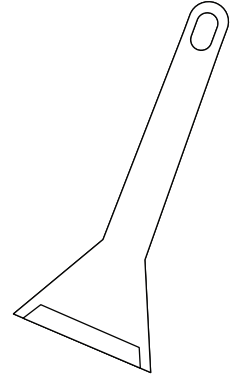
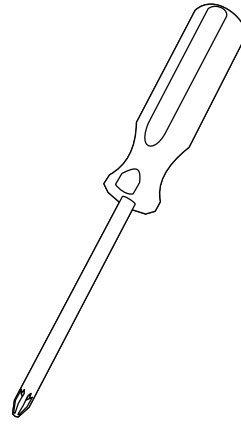
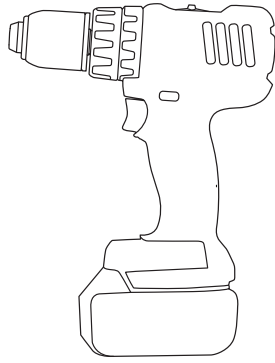
## Installation Manual

<b>PART NUMBER(S)</b>	<b>Model Year</b>
<b>TESS 15180 SE</b>	<b>VW AMAROK AVENTURA 2023+</b>
<b>Cab(s)</b>	<b>Installation Time / Weight</b>
<b>Double Cab</b>	<b>40-60 minutes / 53-57 kg</b>



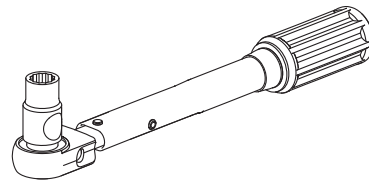


Ø 25 mm



4 mm

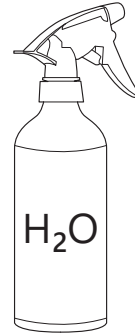
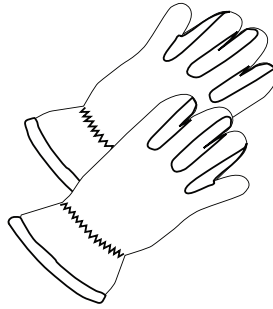
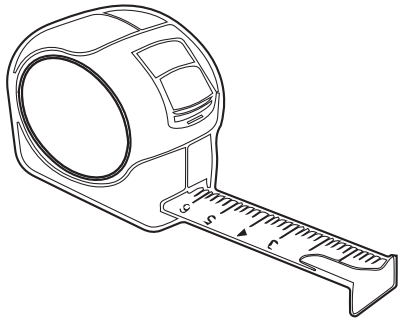
1 - 25 Nm



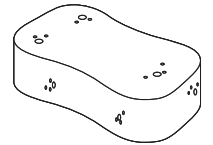
10, 13, 17 mm



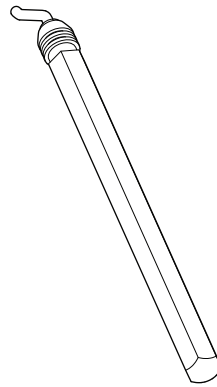
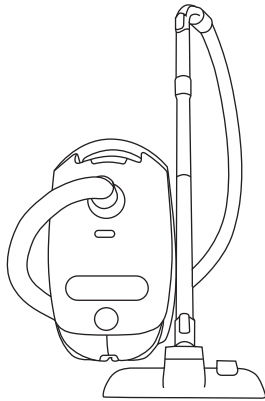
ACETONE



H<sub>2</sub>O



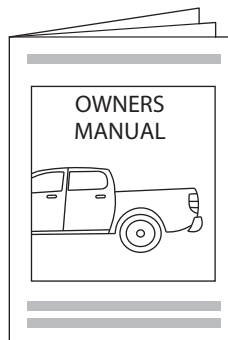
Silicone Spray



ANTI-RUST

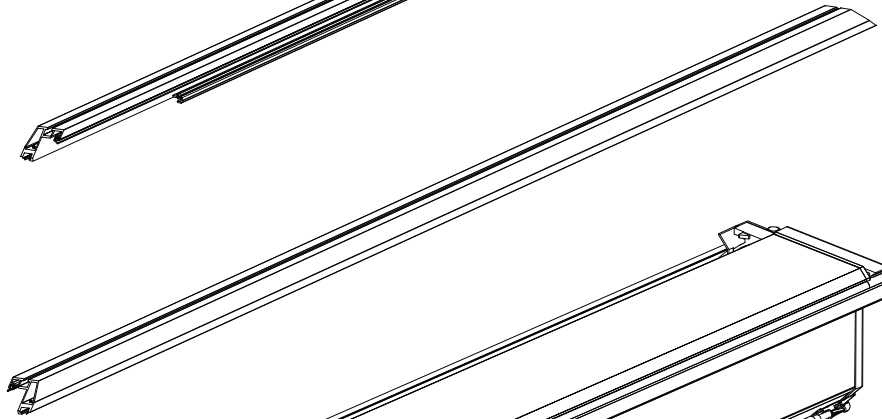
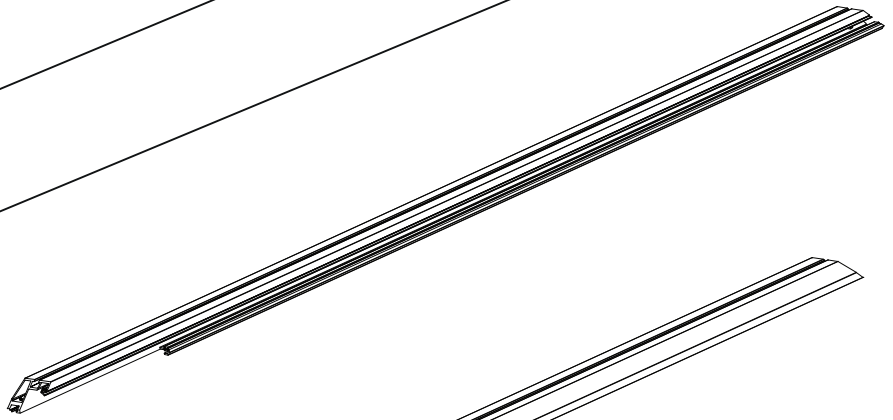
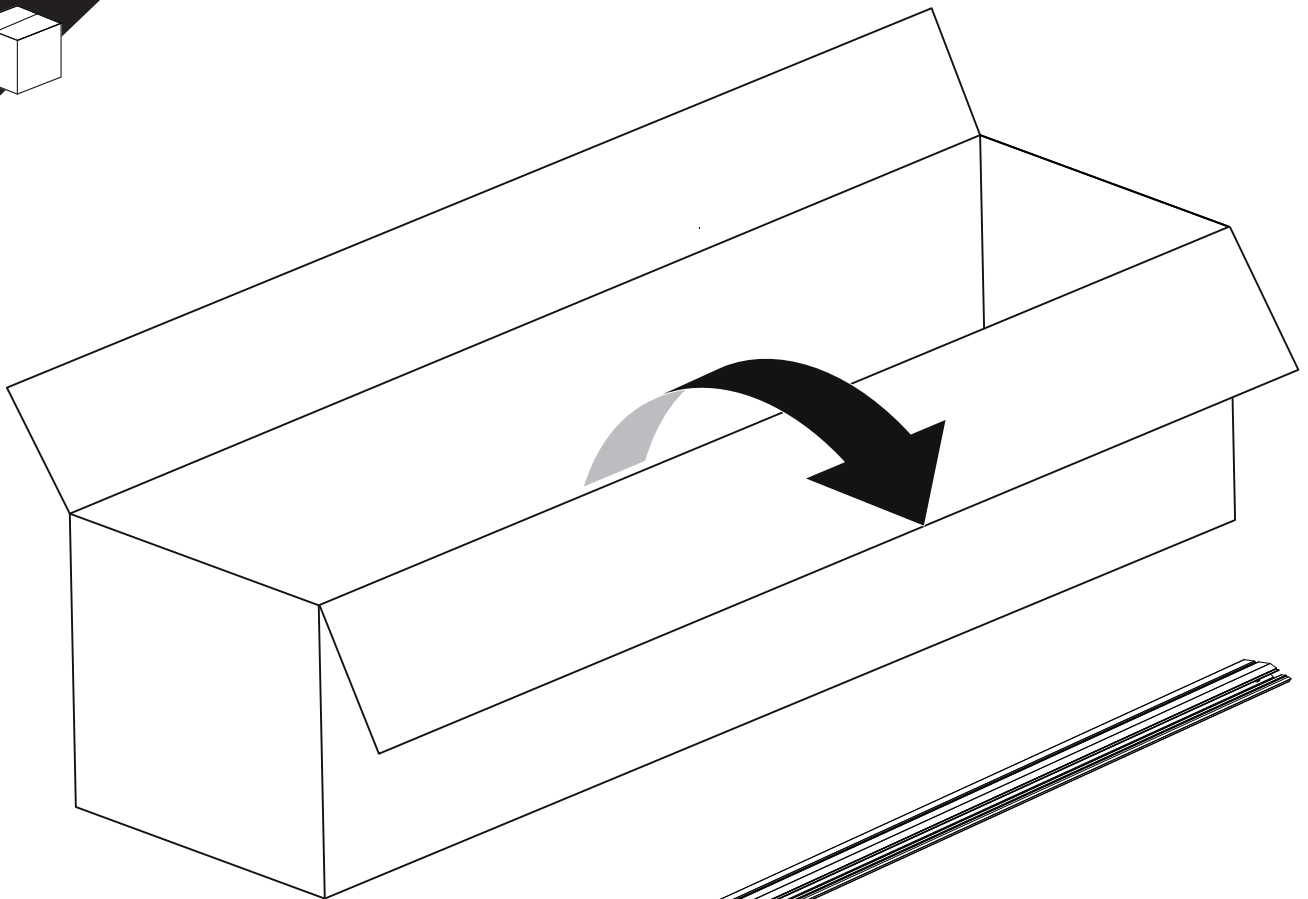


INSTALLATION  
MANUAL

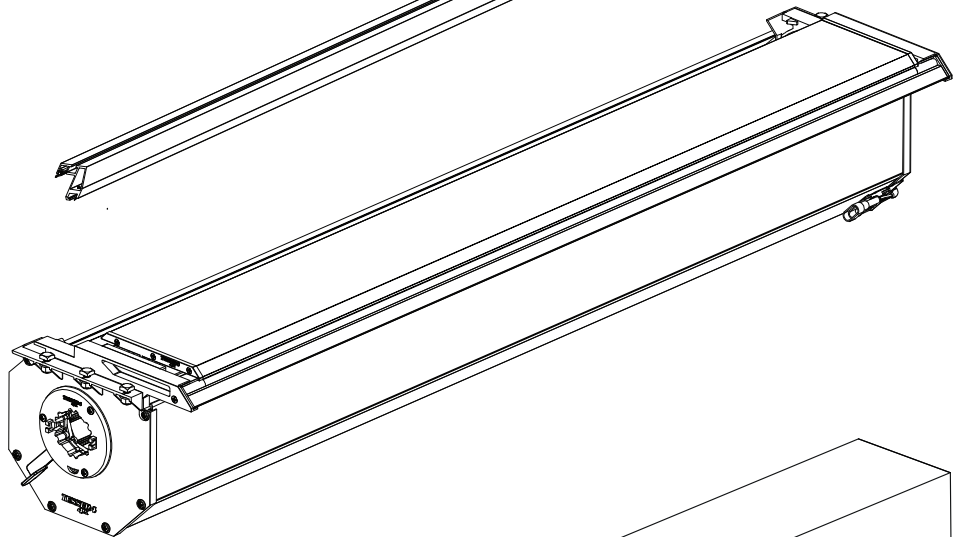


OWNERS  
MANUAL

x1

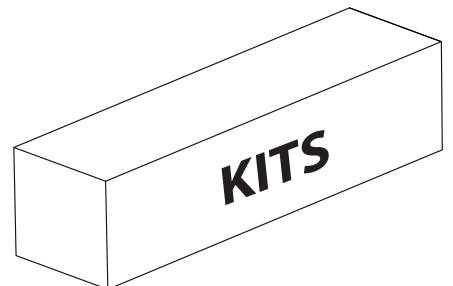


**B**

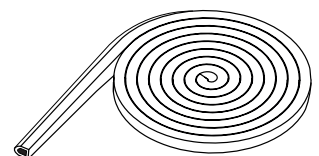


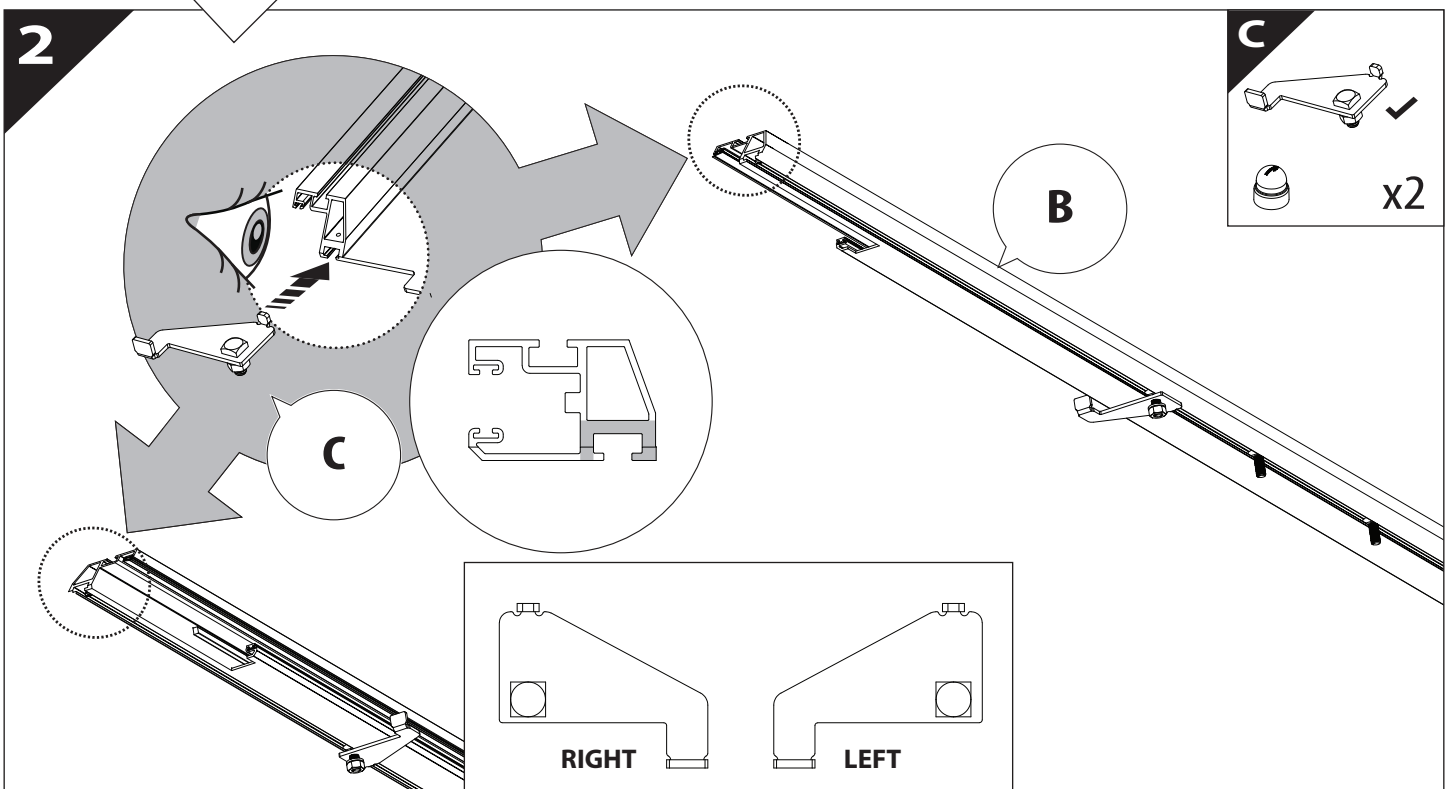
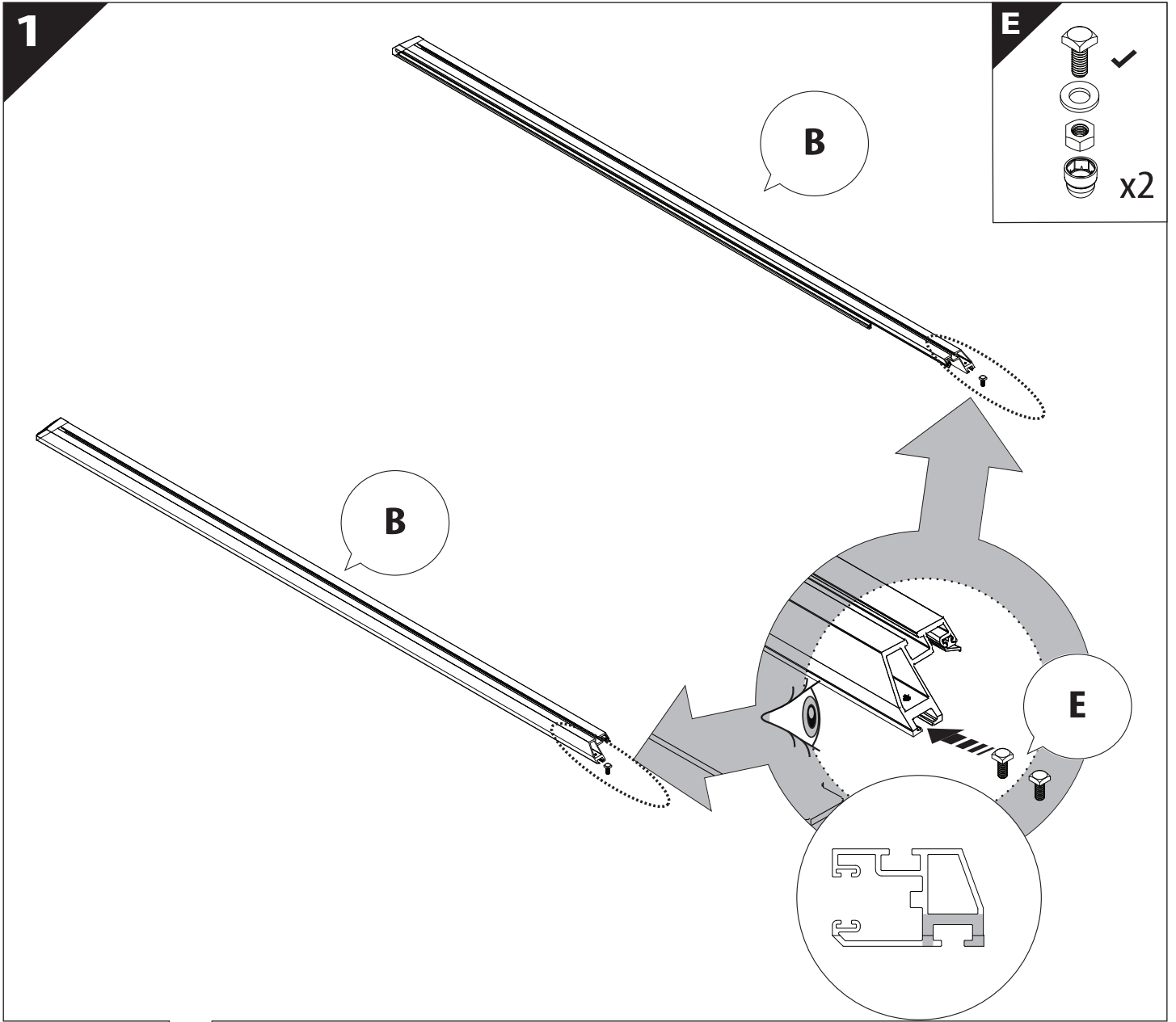
**A**

**KITS**

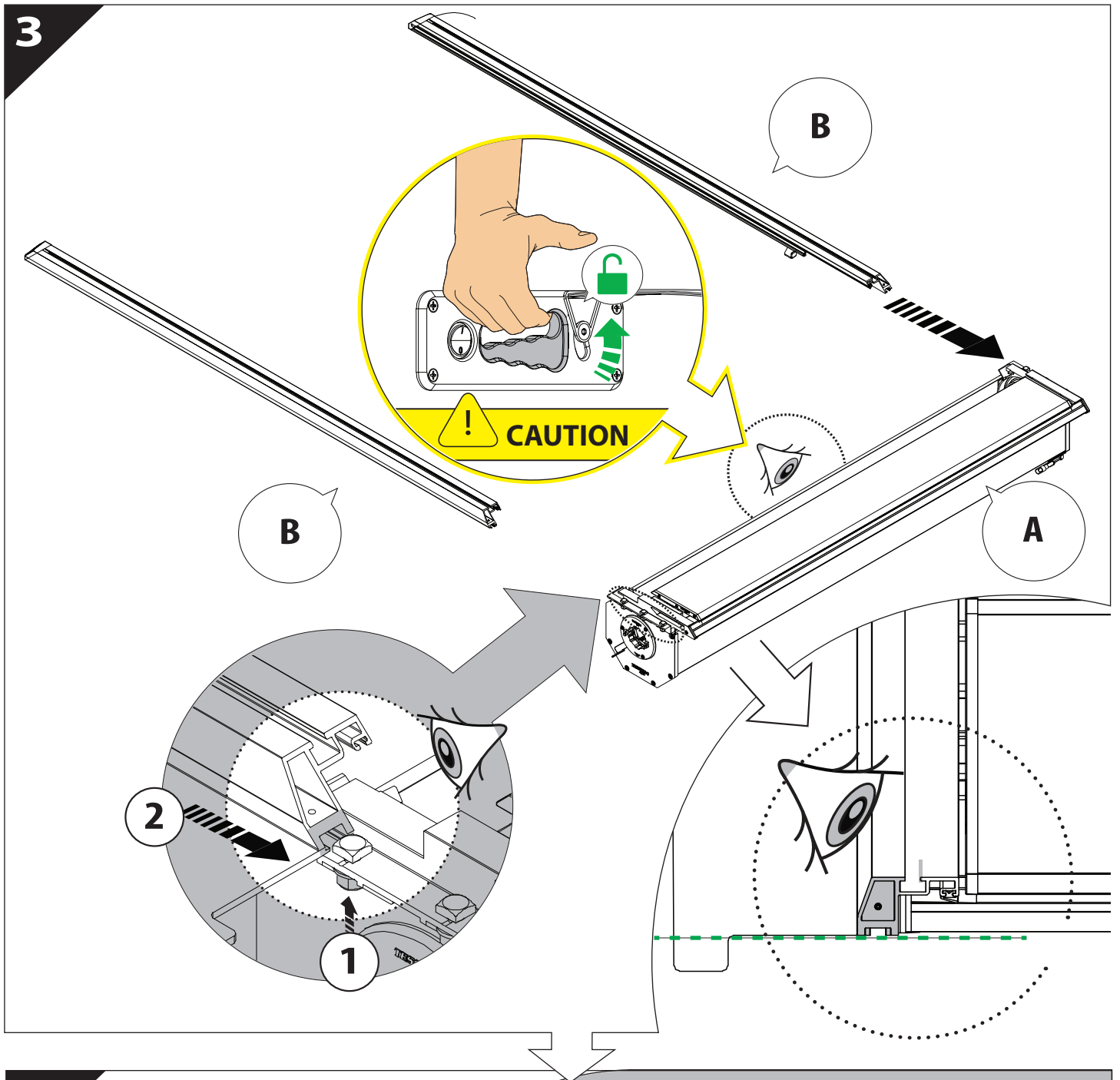


**I**

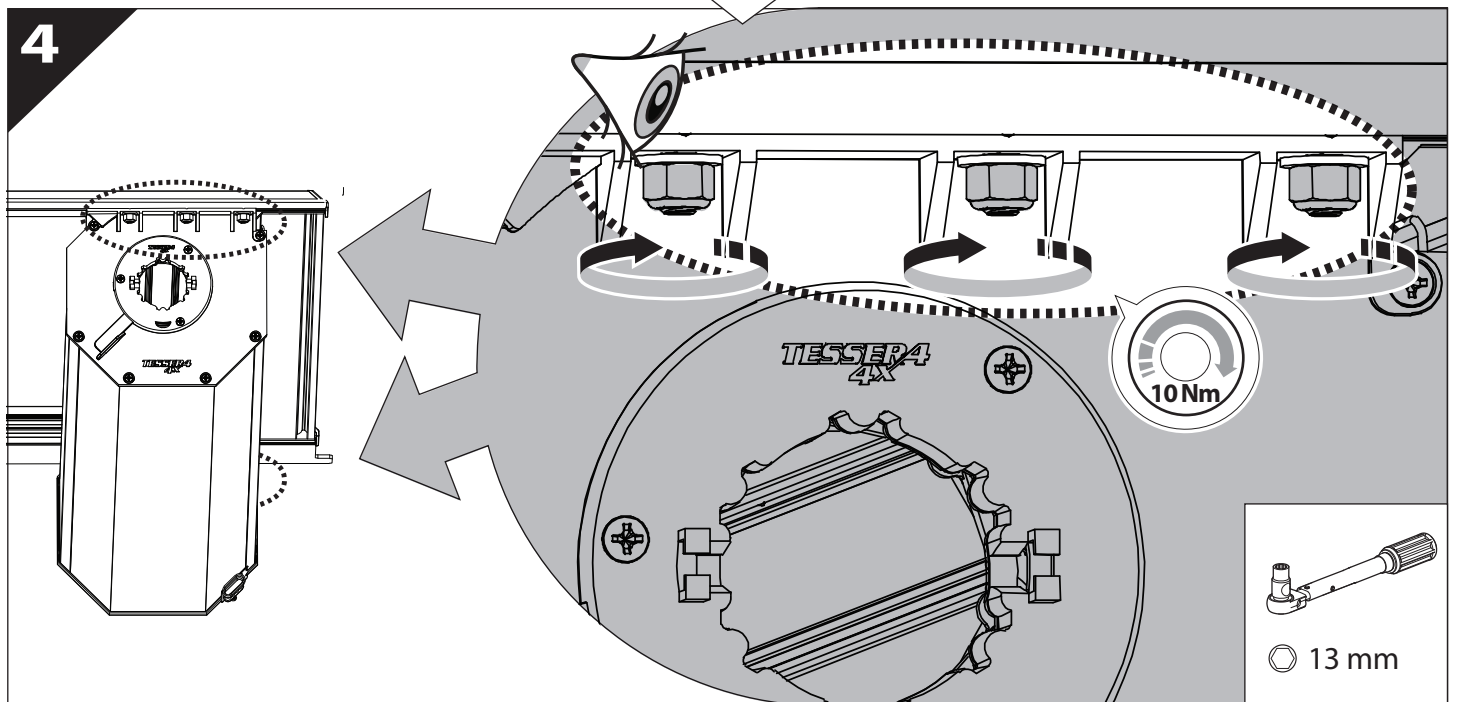


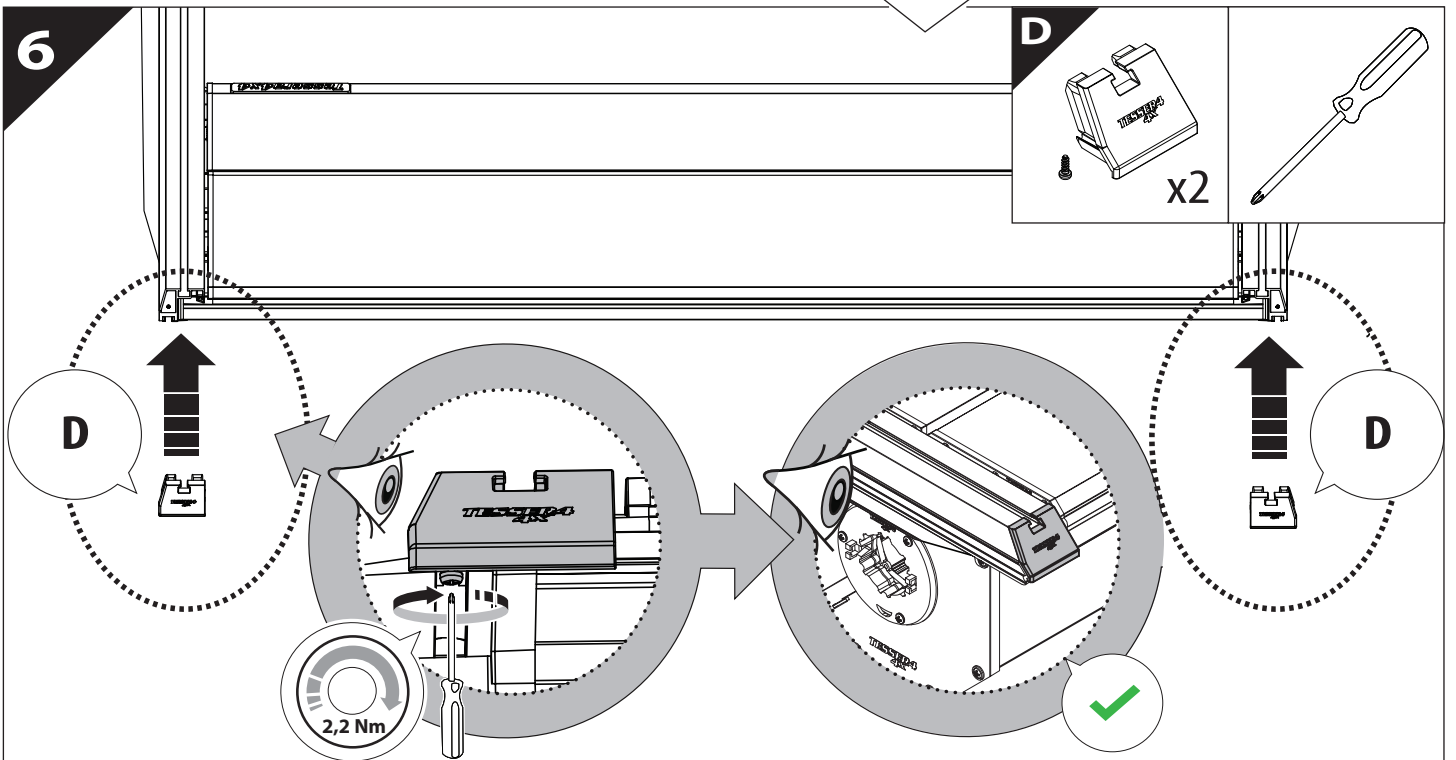
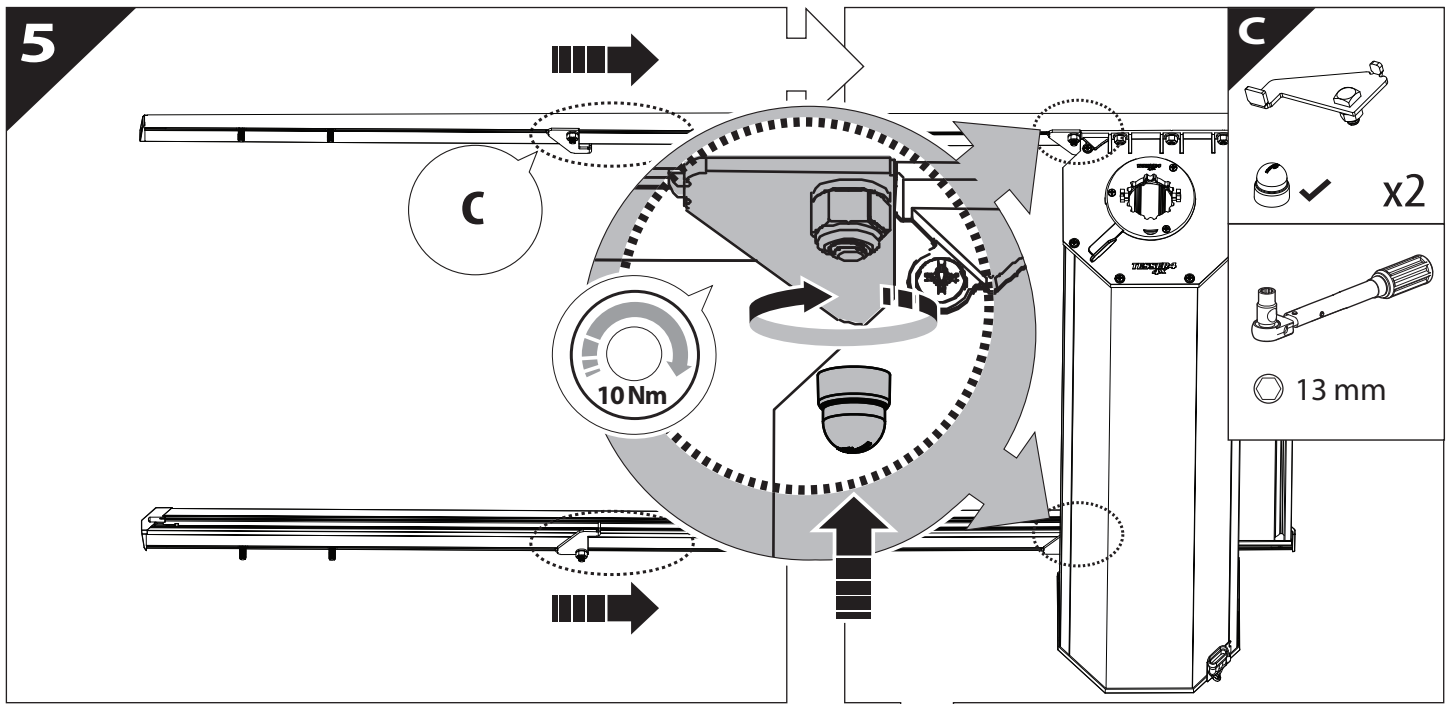


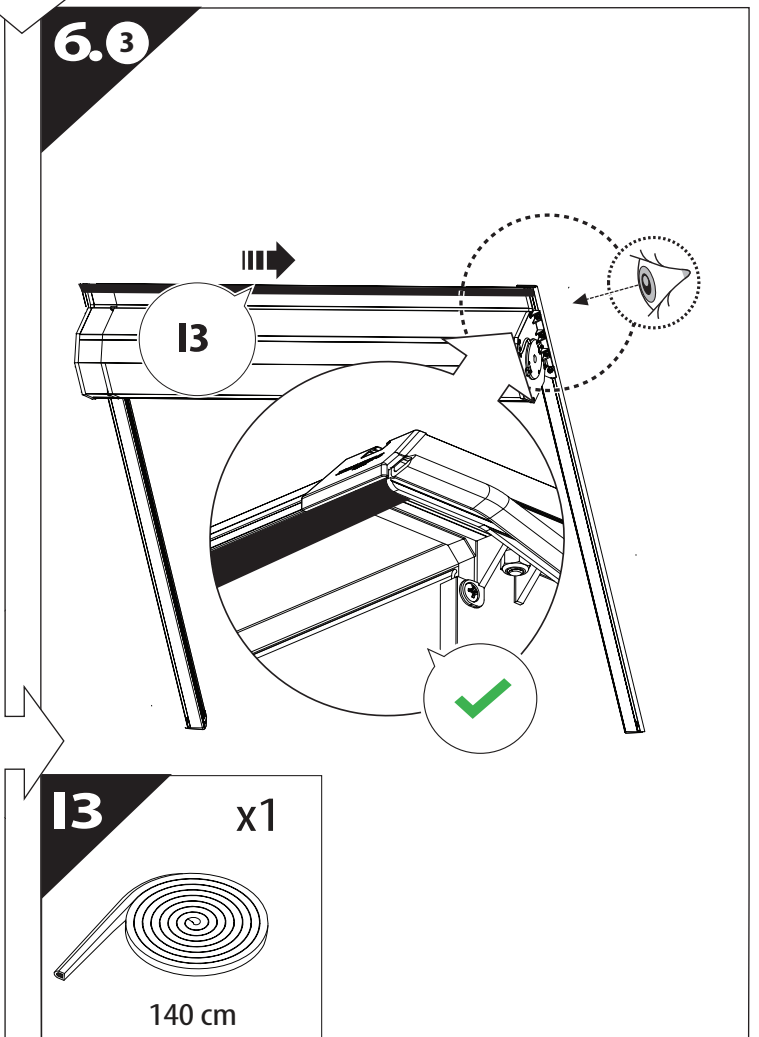
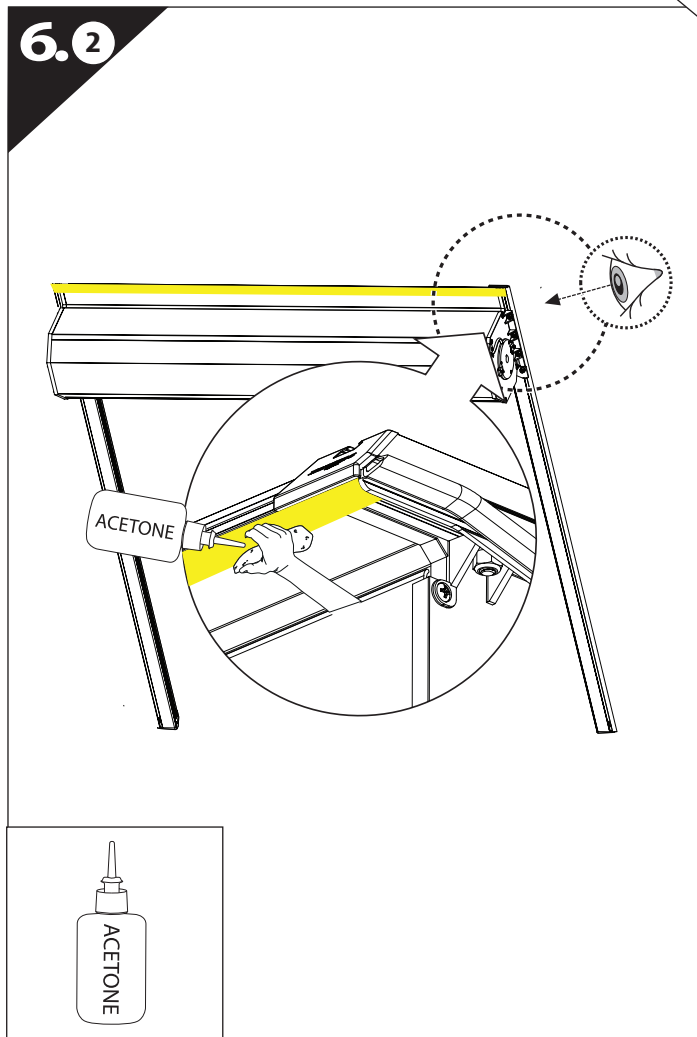
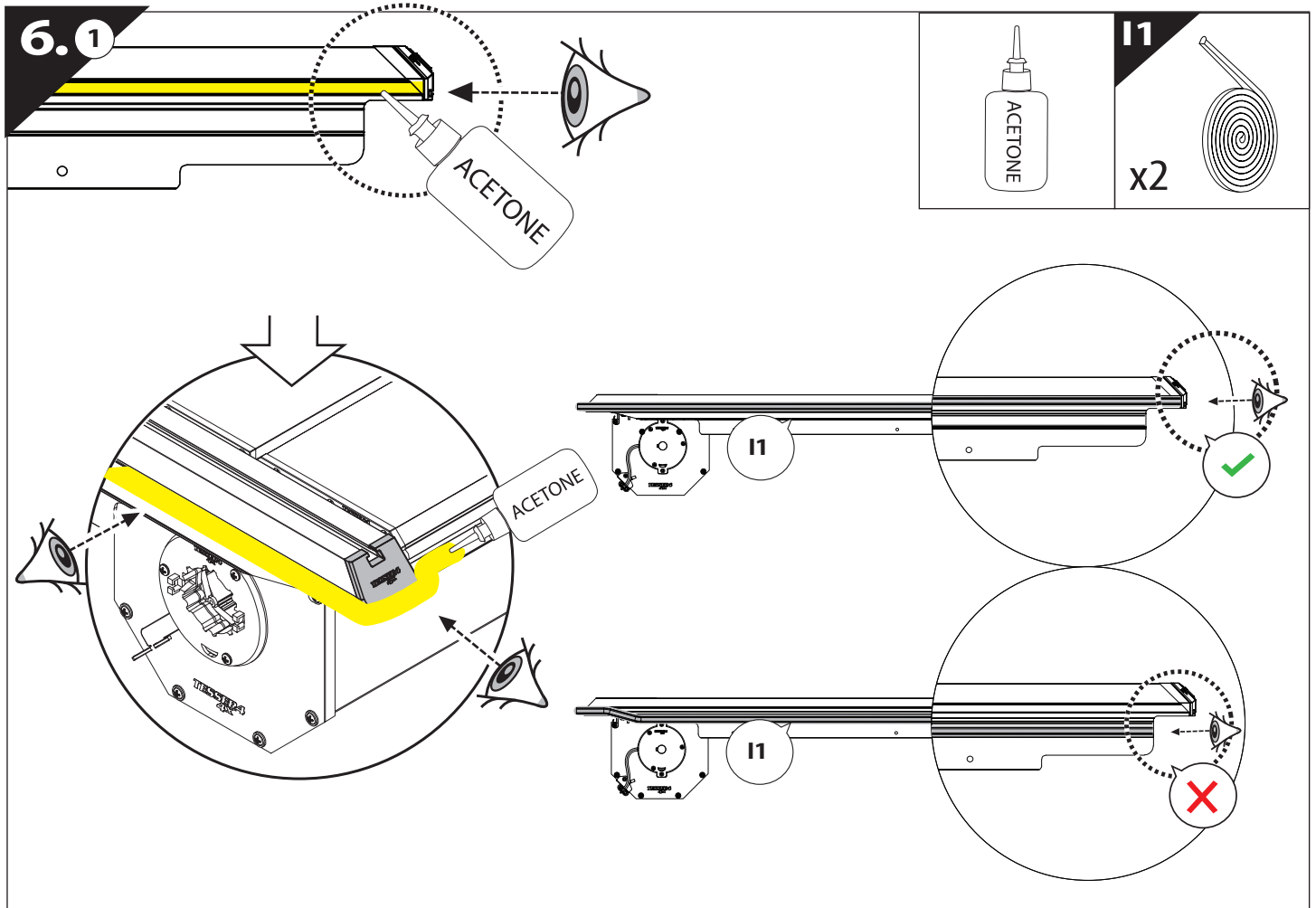
3

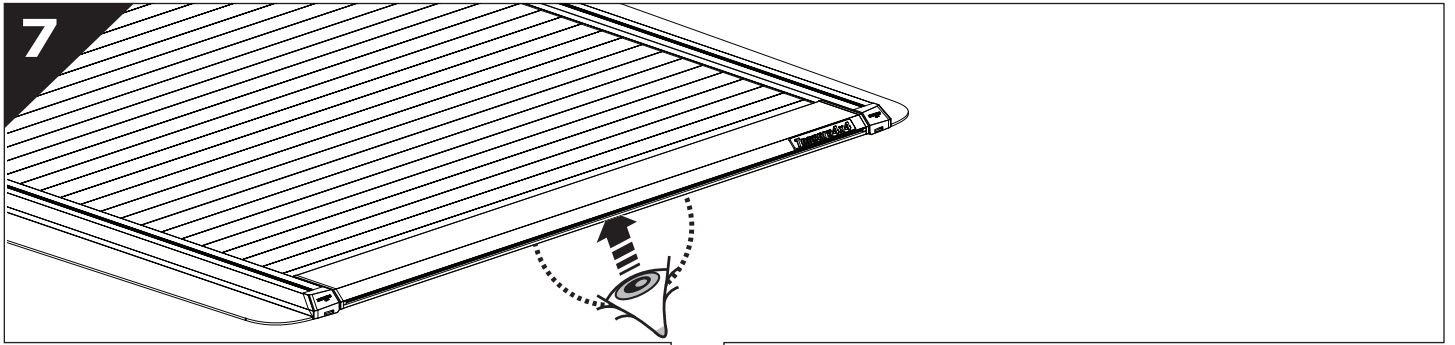


4

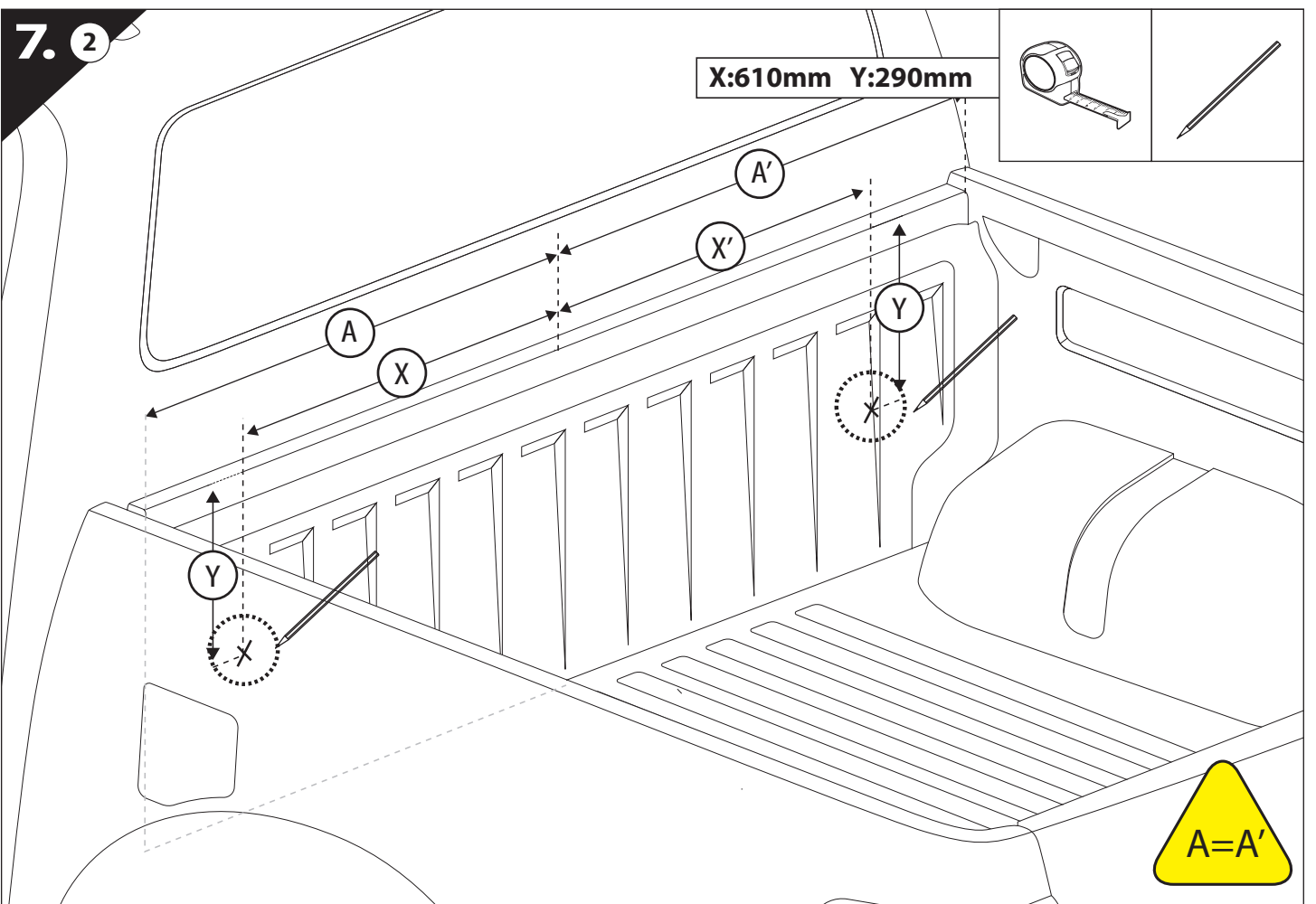
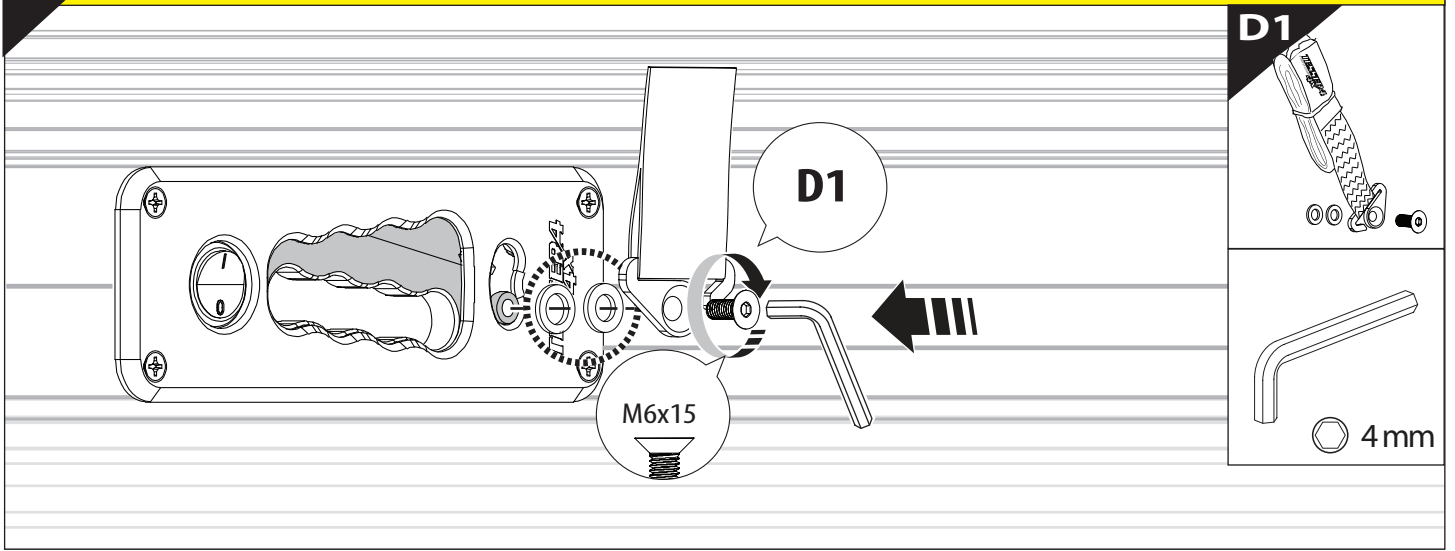


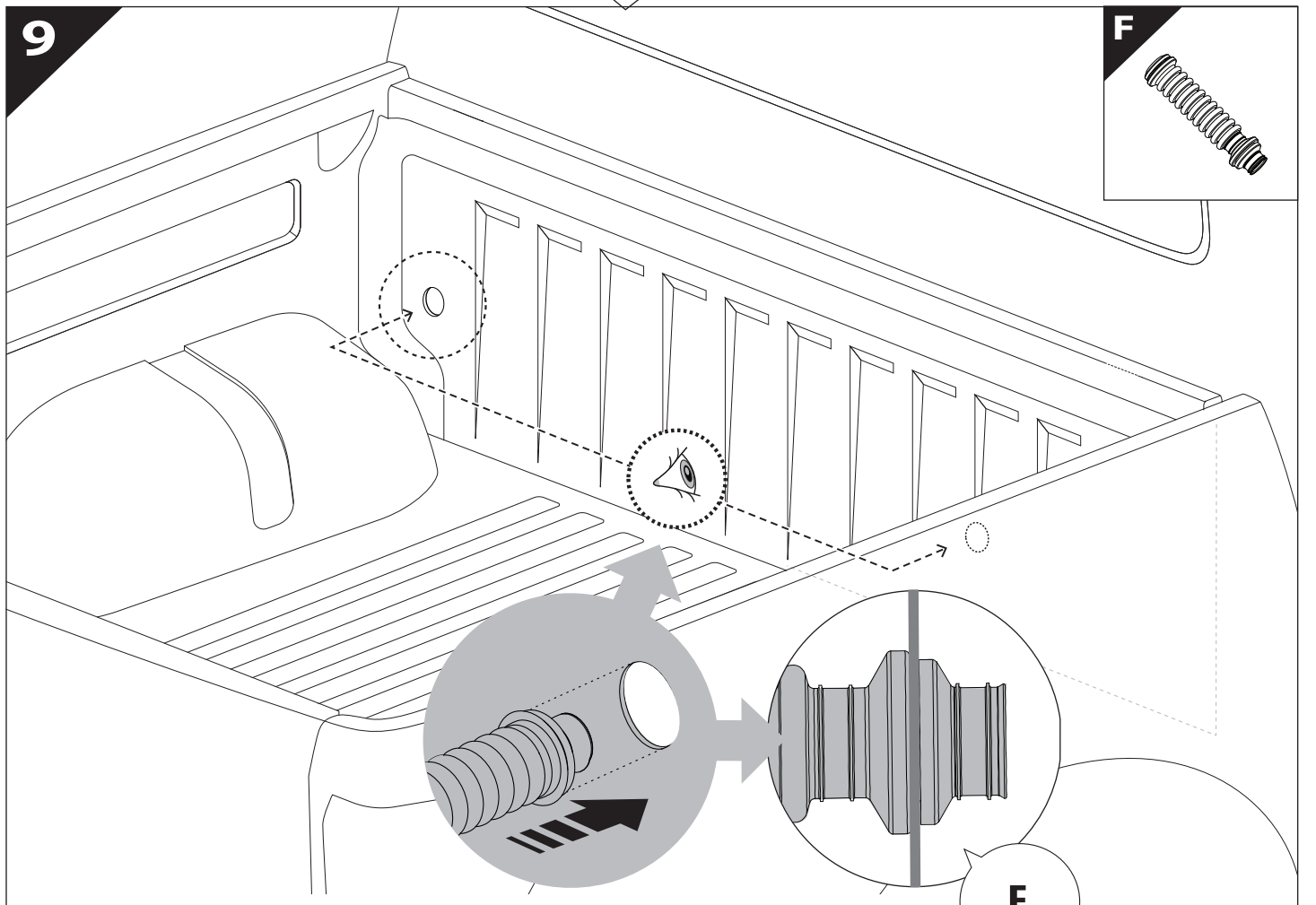
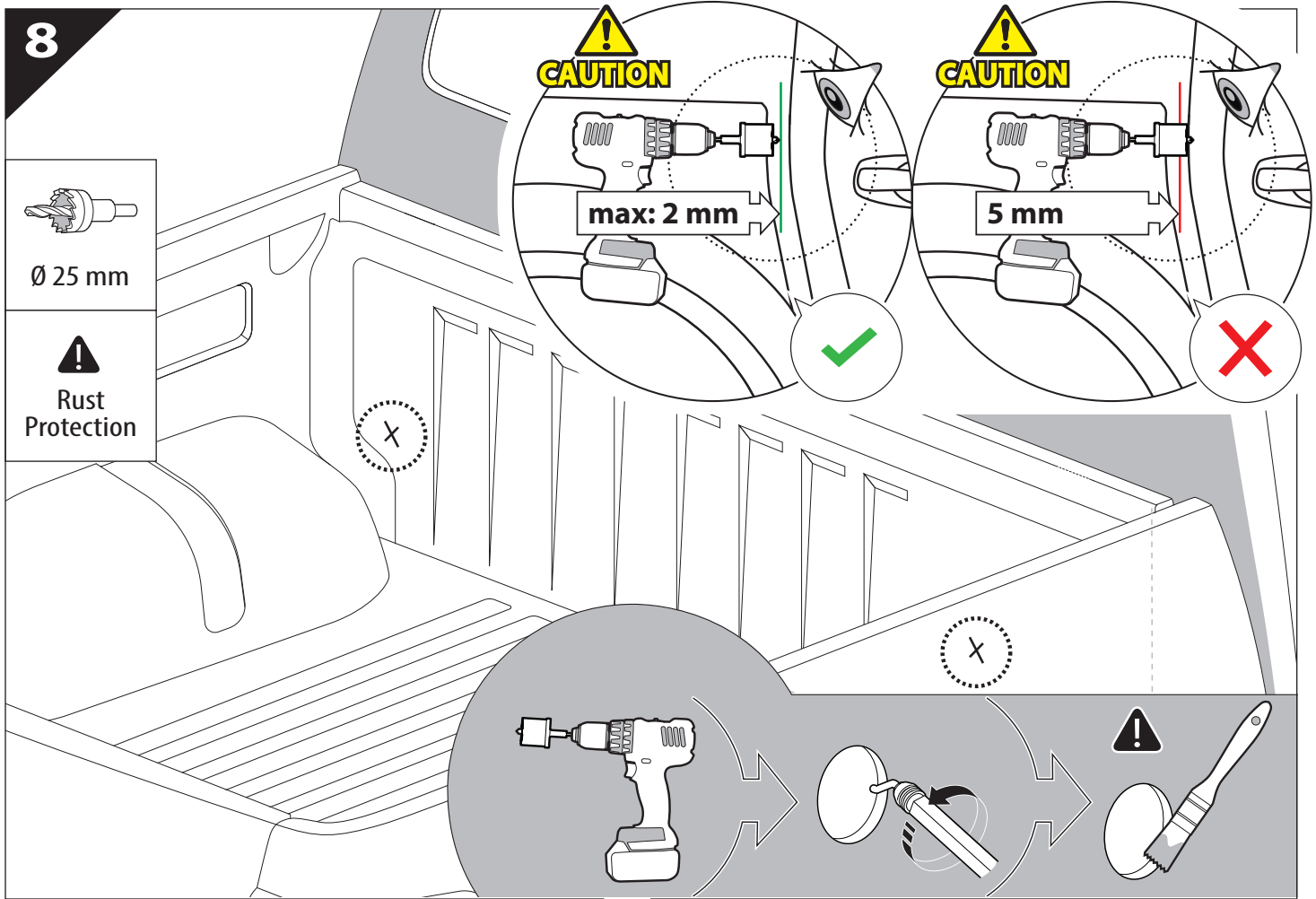


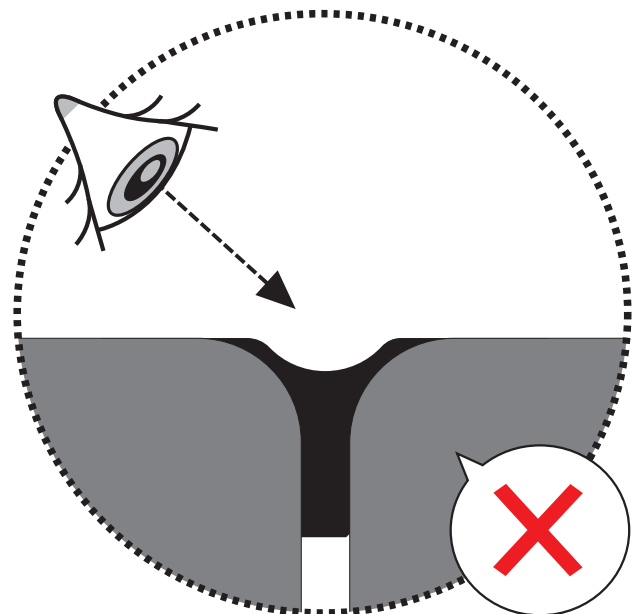
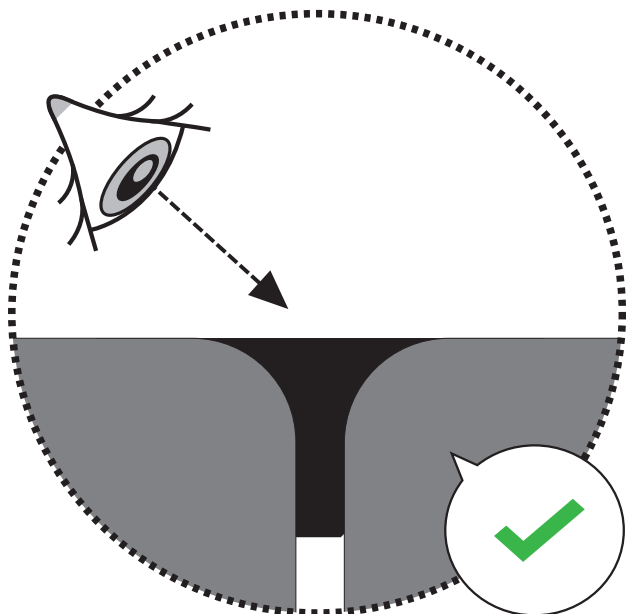
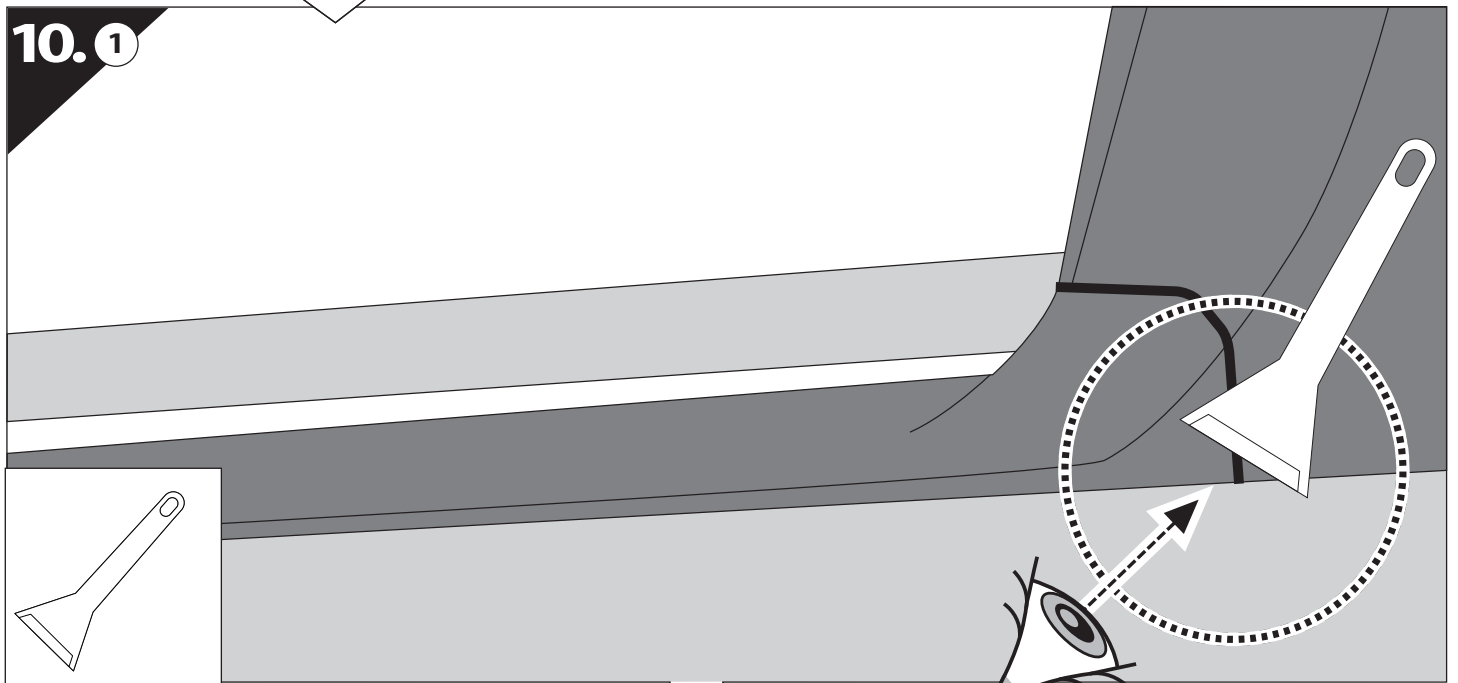
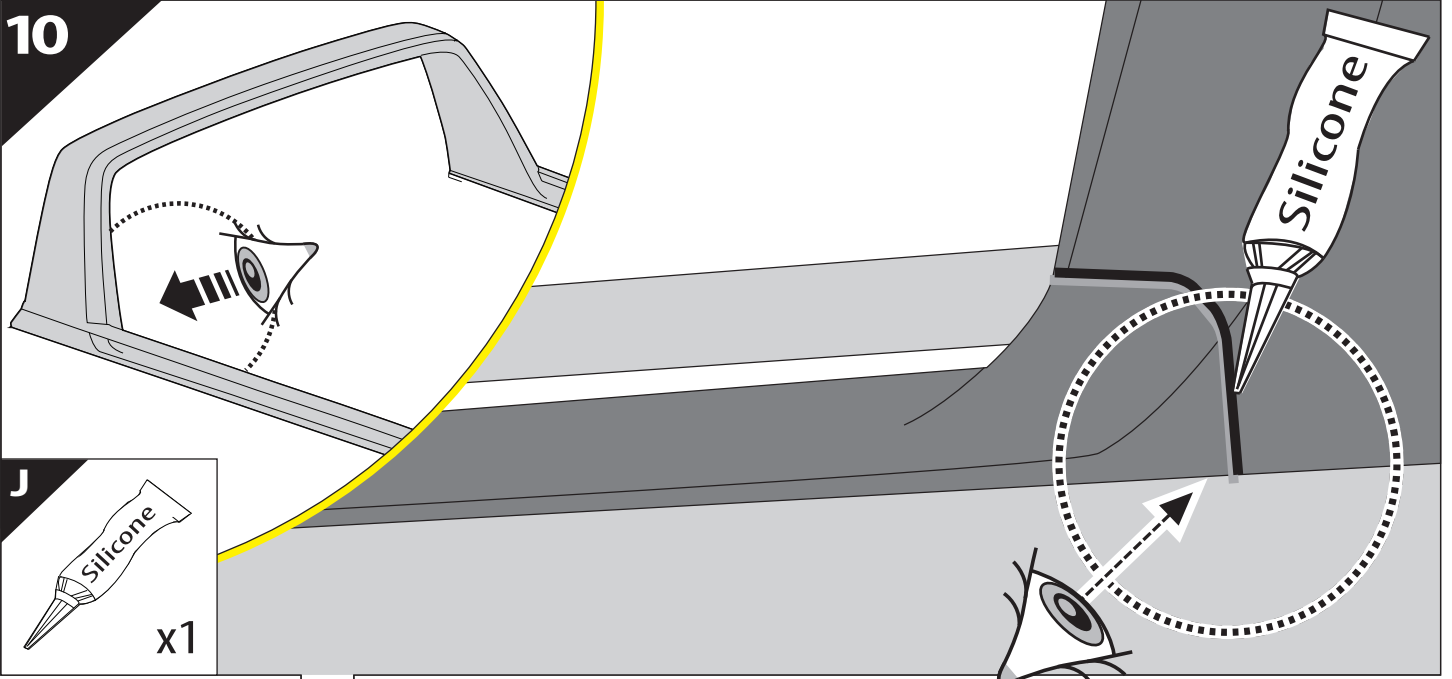


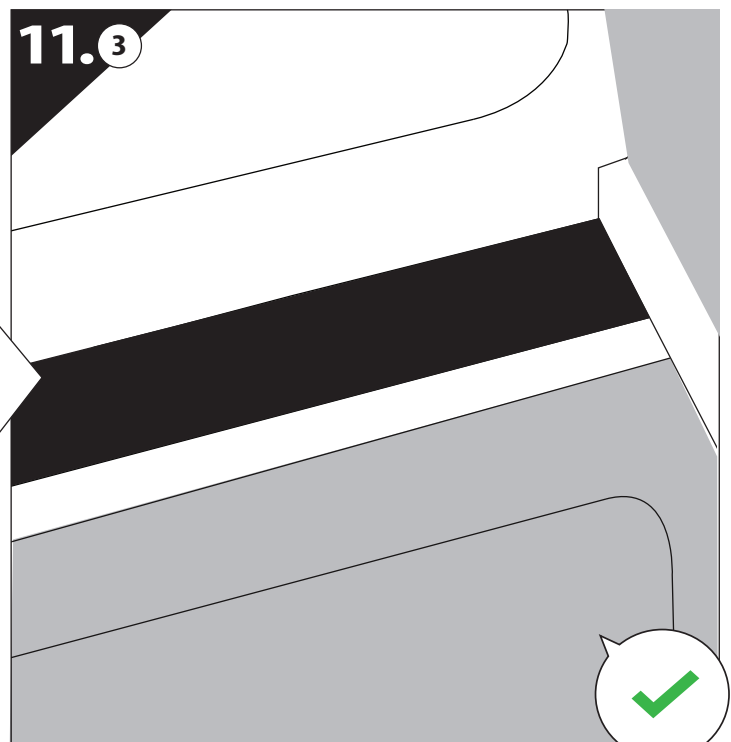
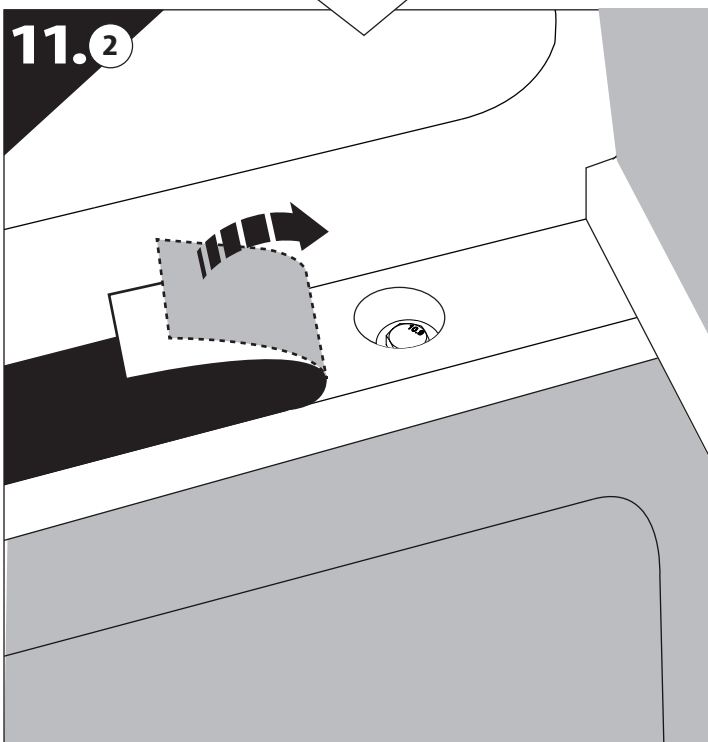
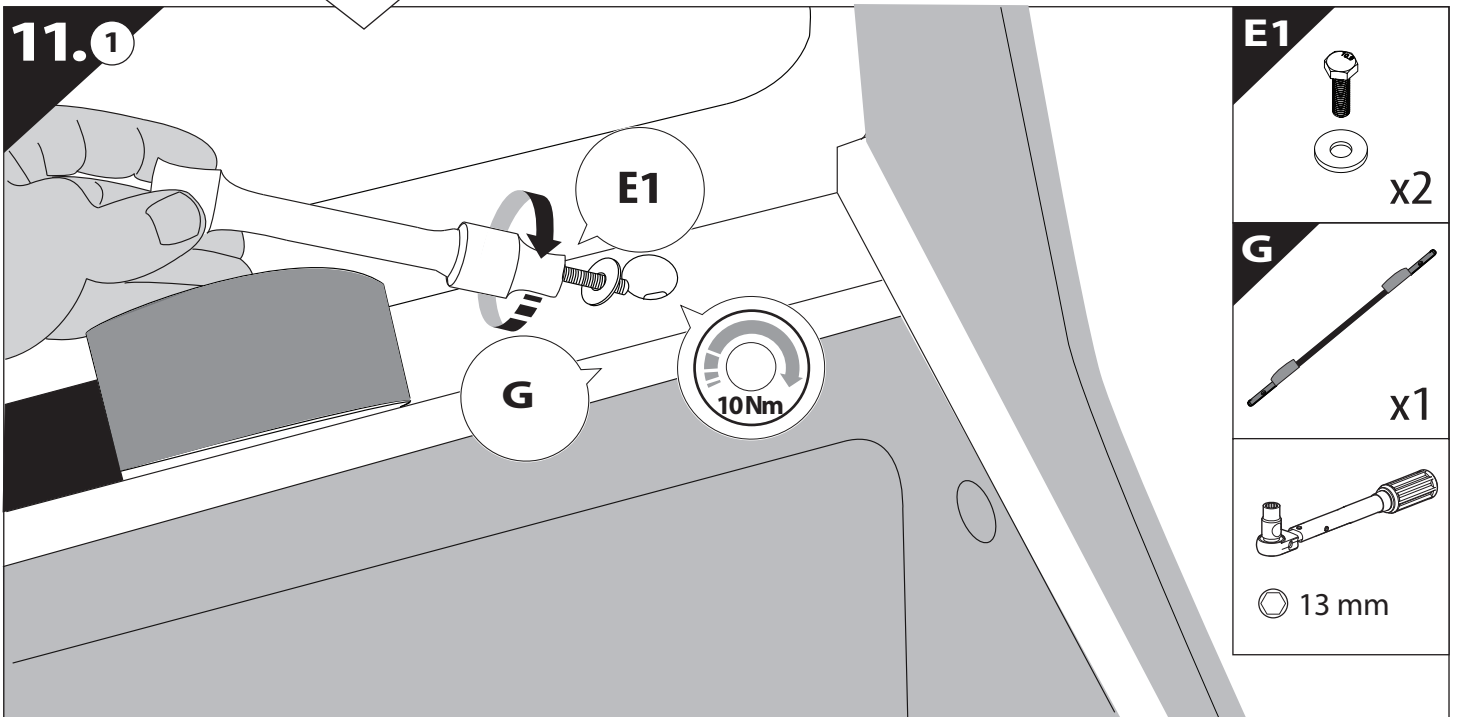
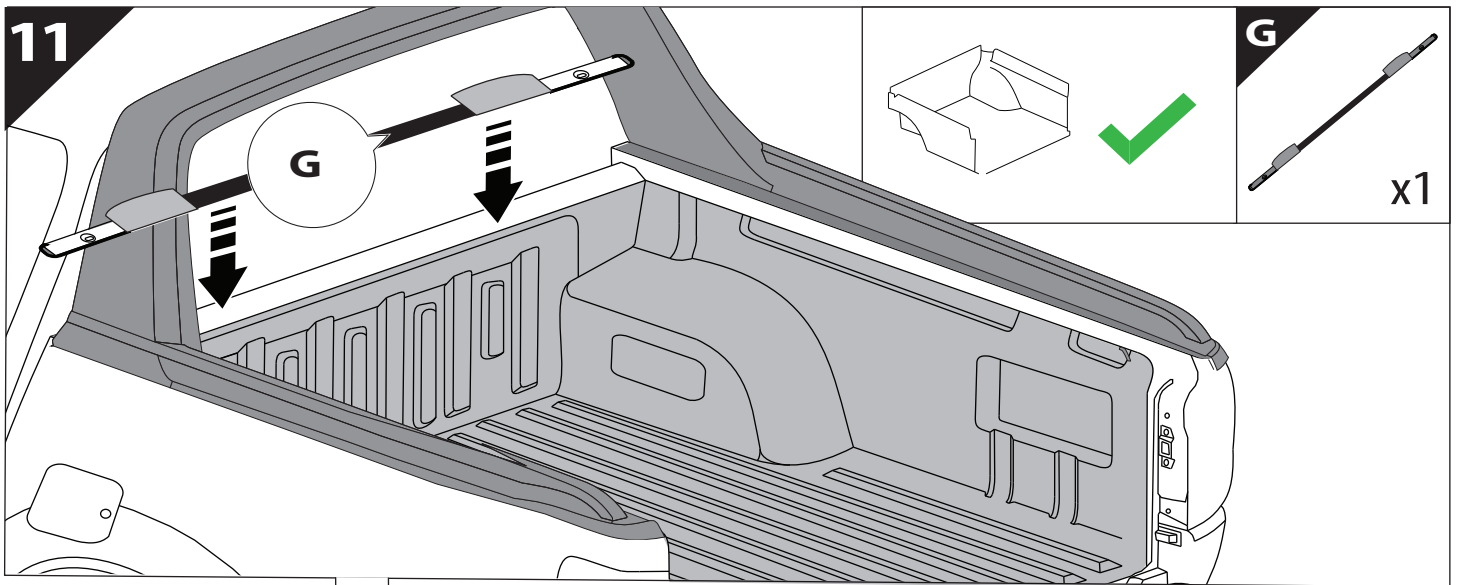


**7.1** **CAUTION** Basic Version ✓ & Basic+S-KIT Version ✓



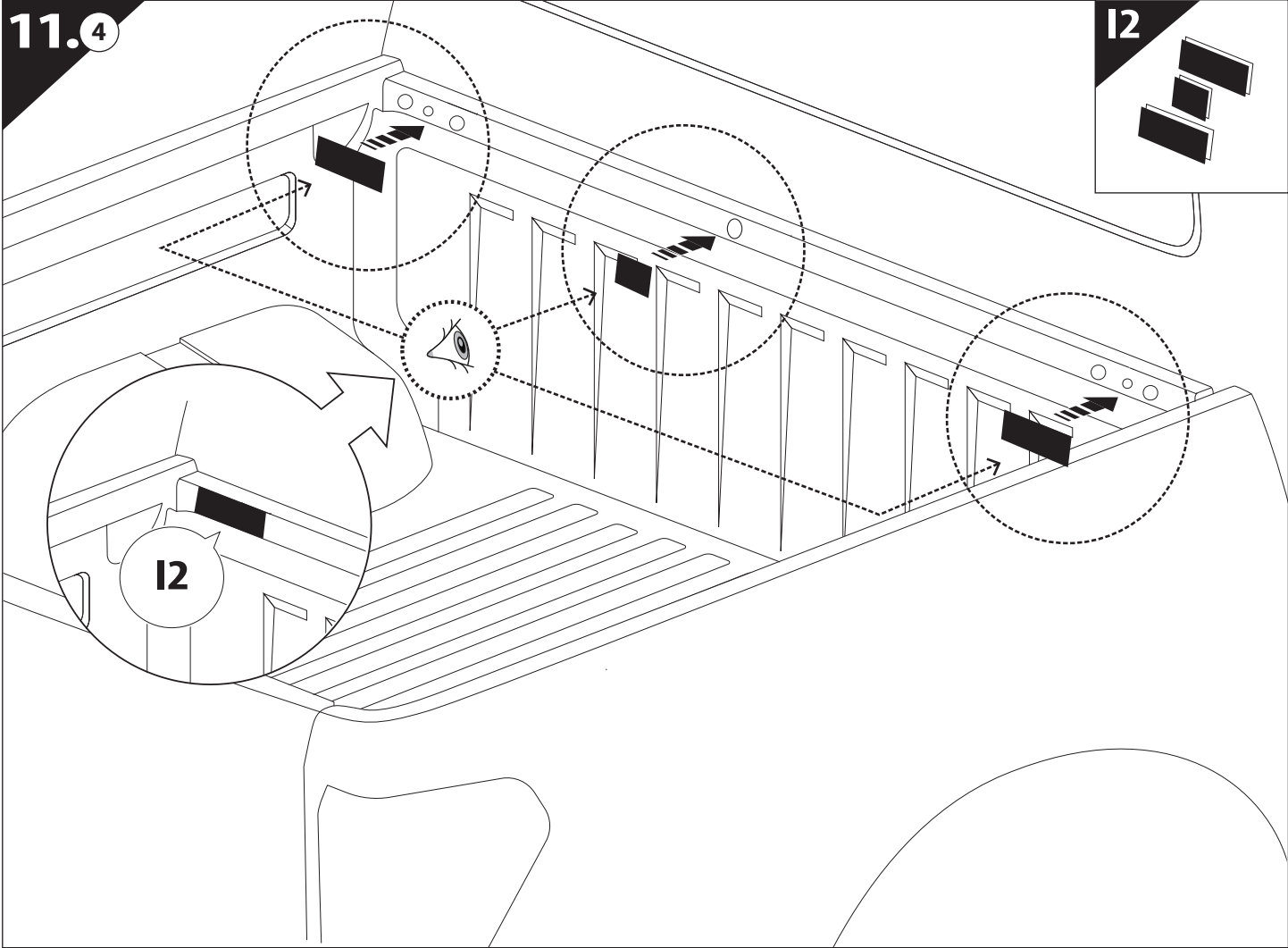


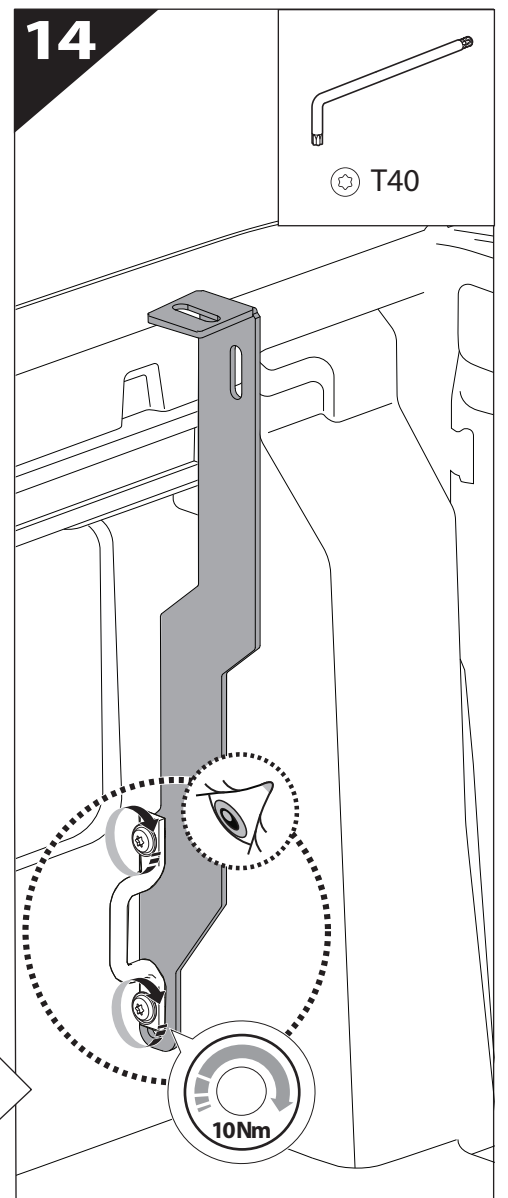
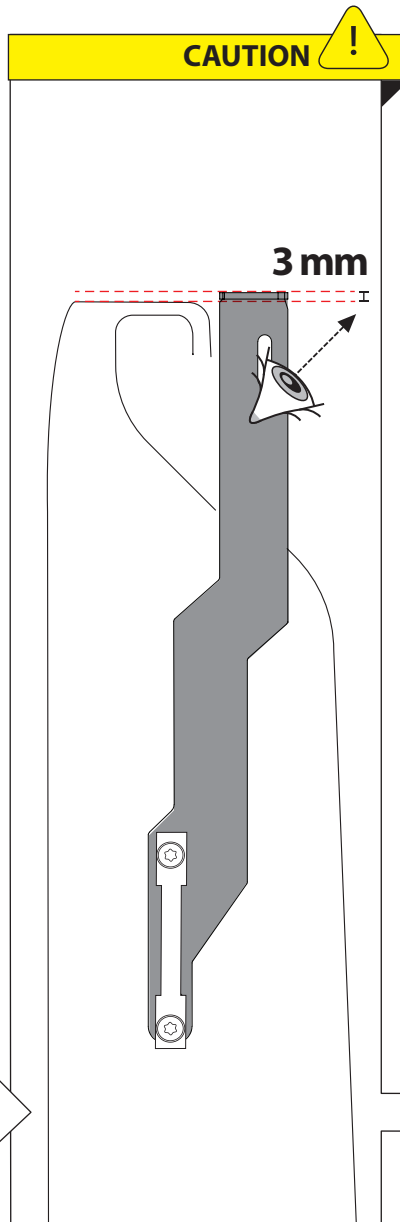
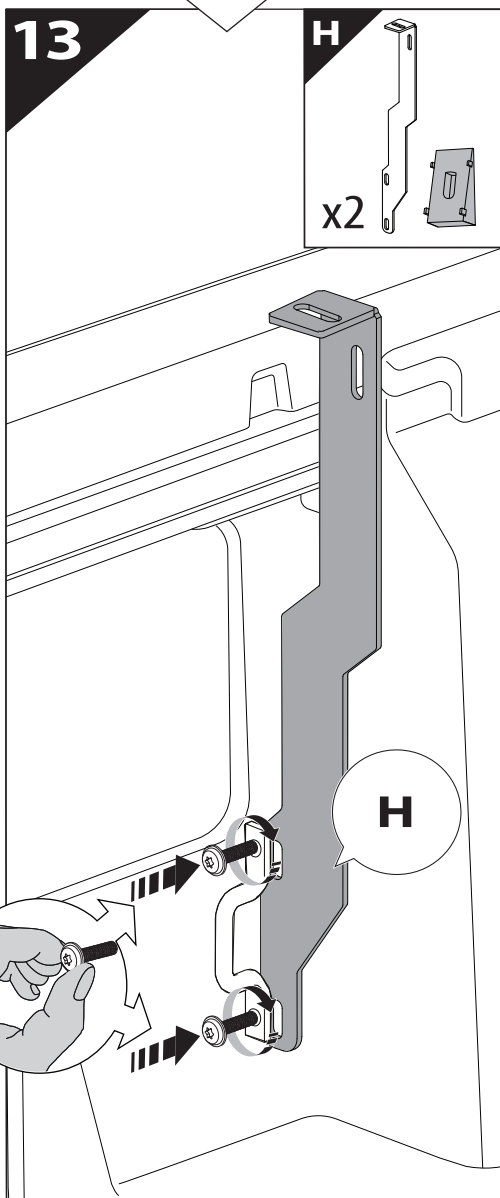
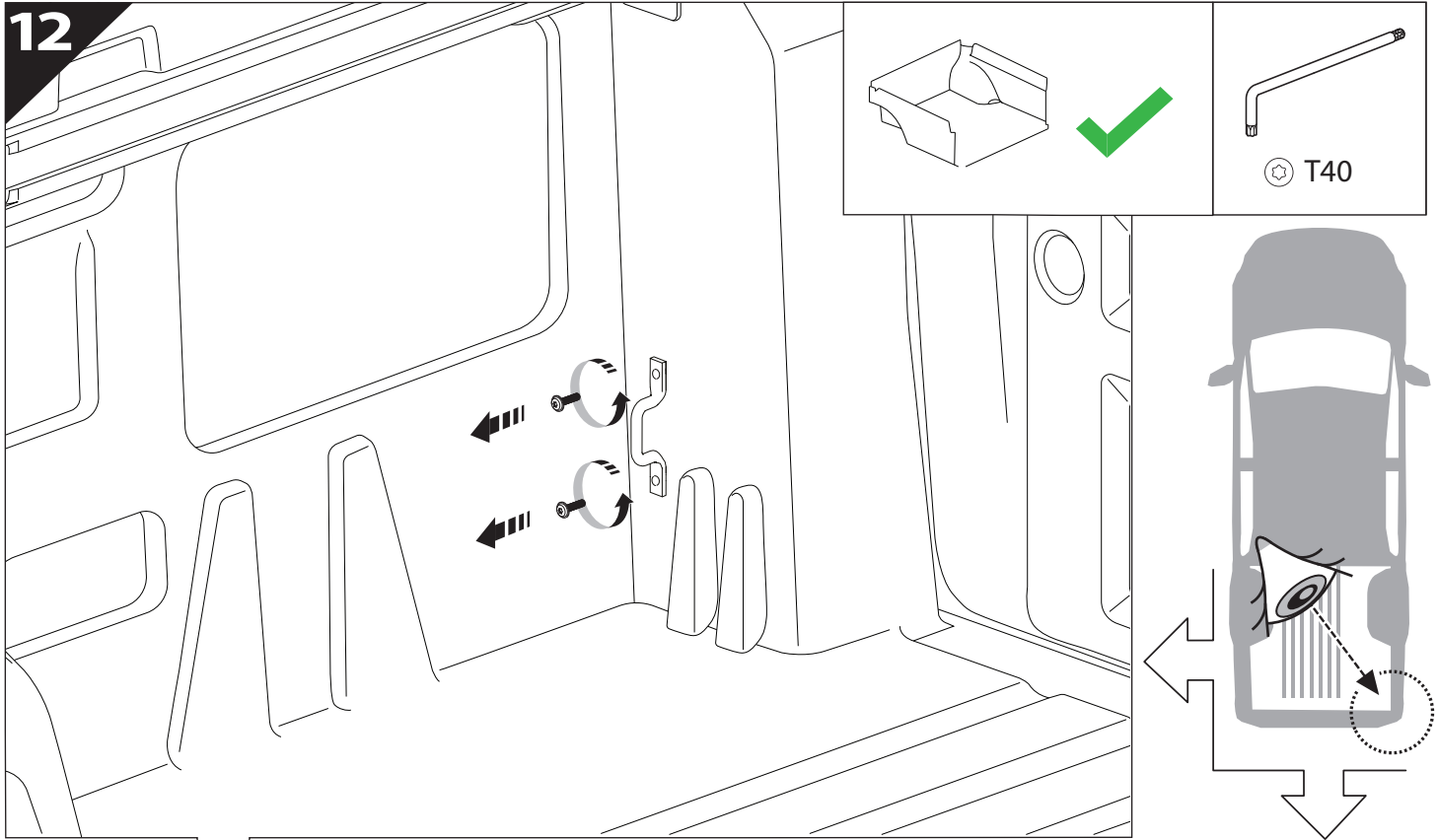




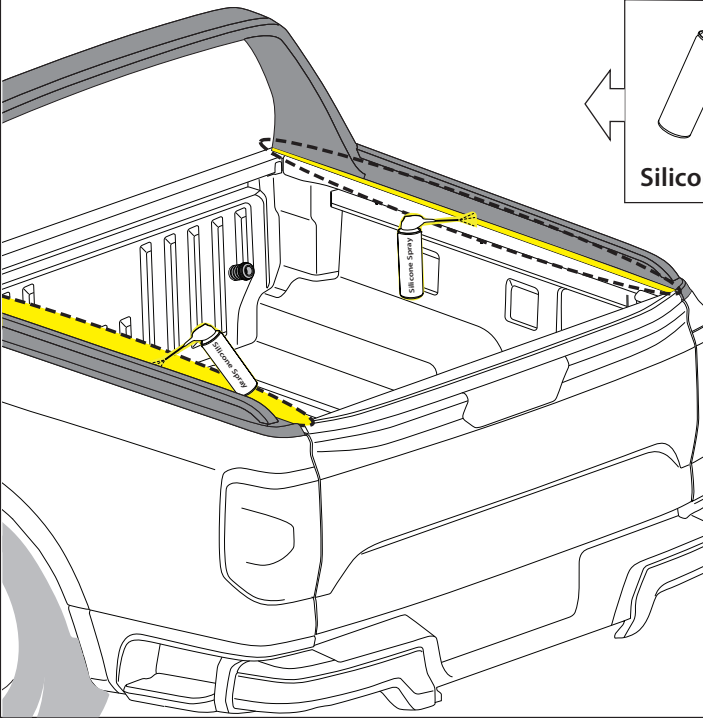
11.4

12

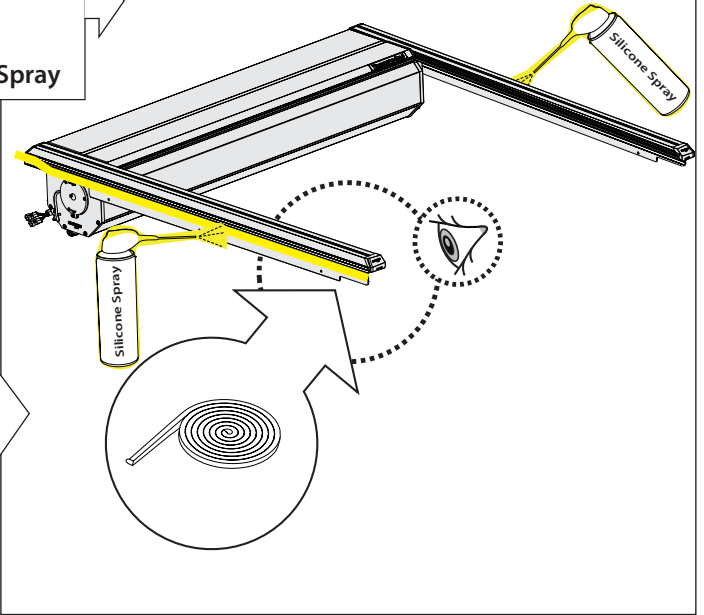
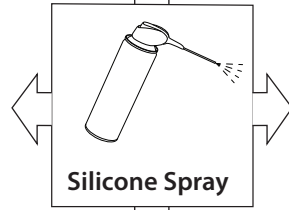




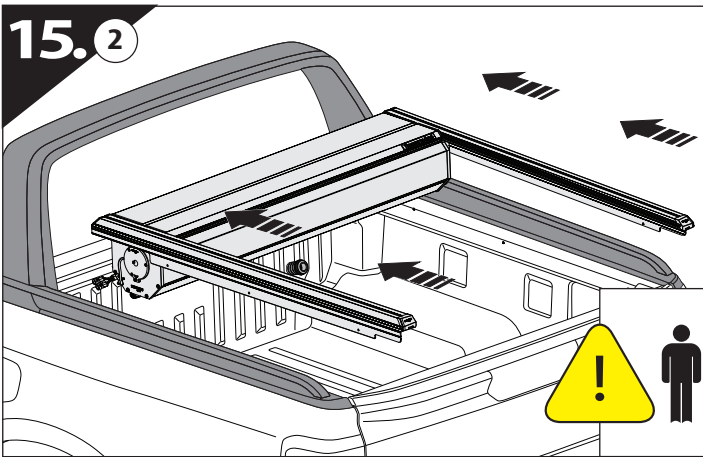
15



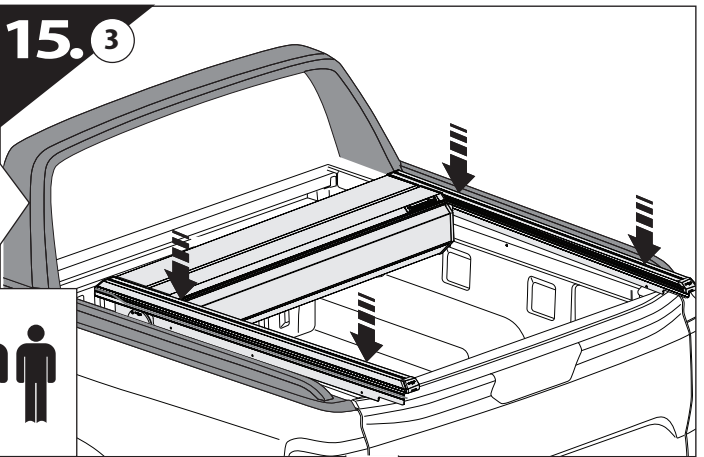
15.1



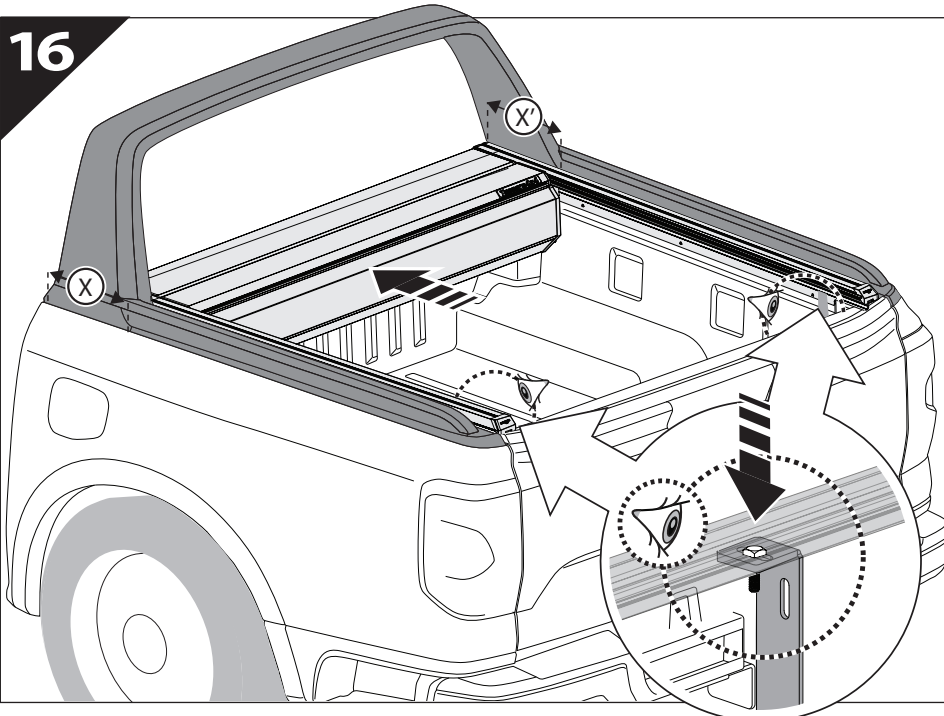
15.2

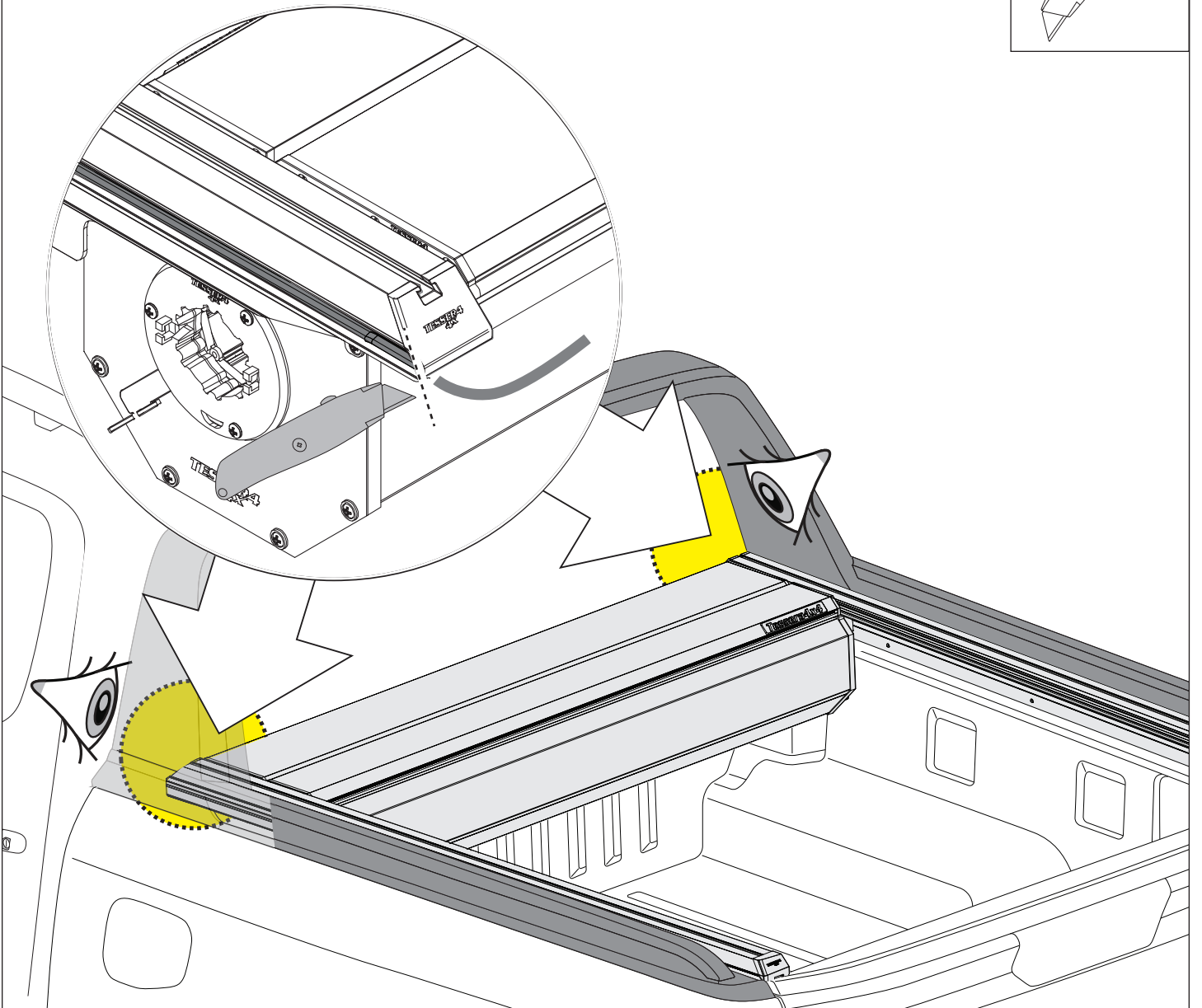
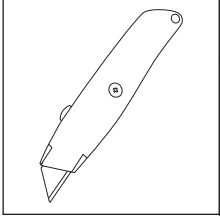


15.3

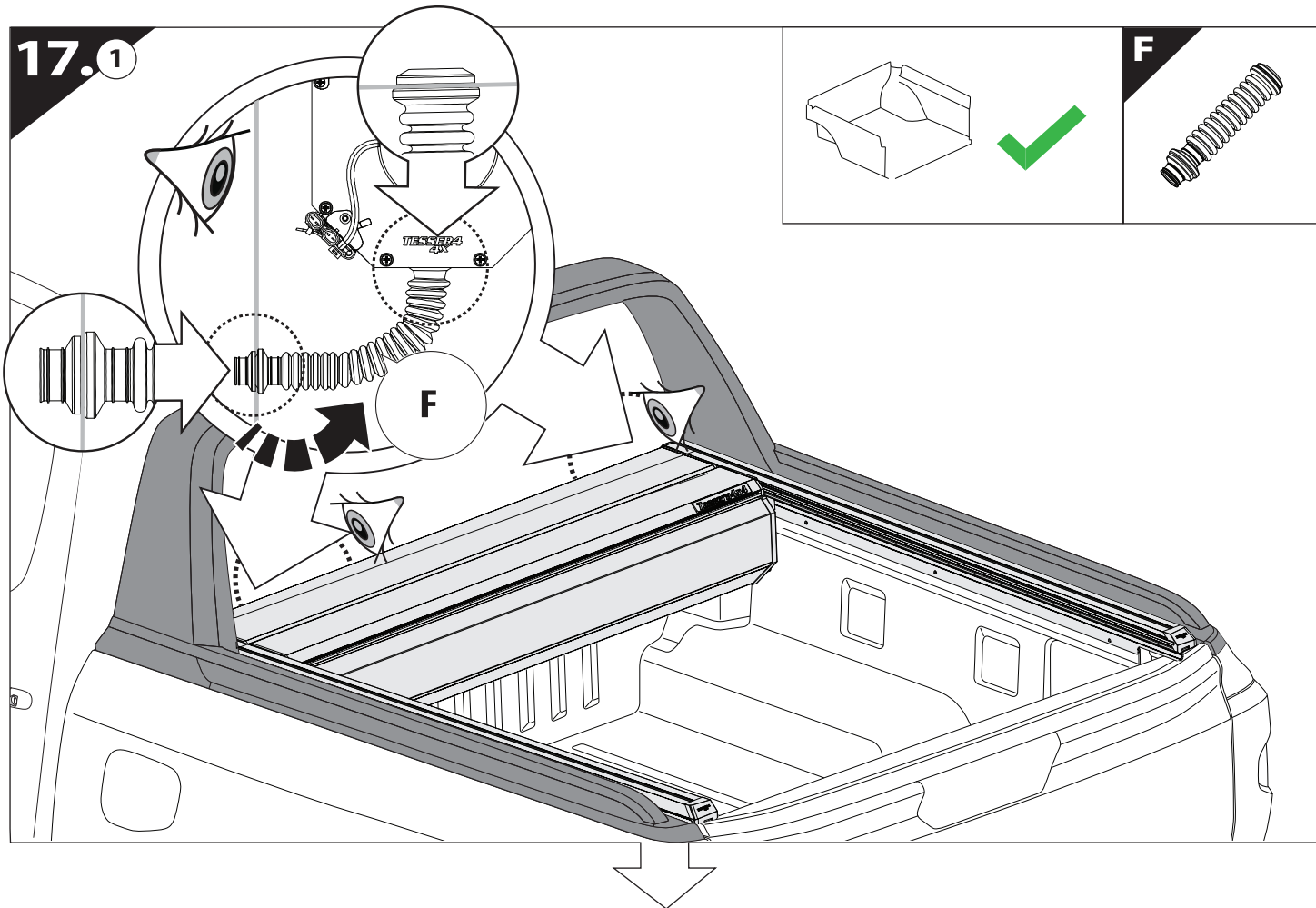


16

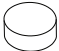








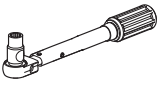
17.1



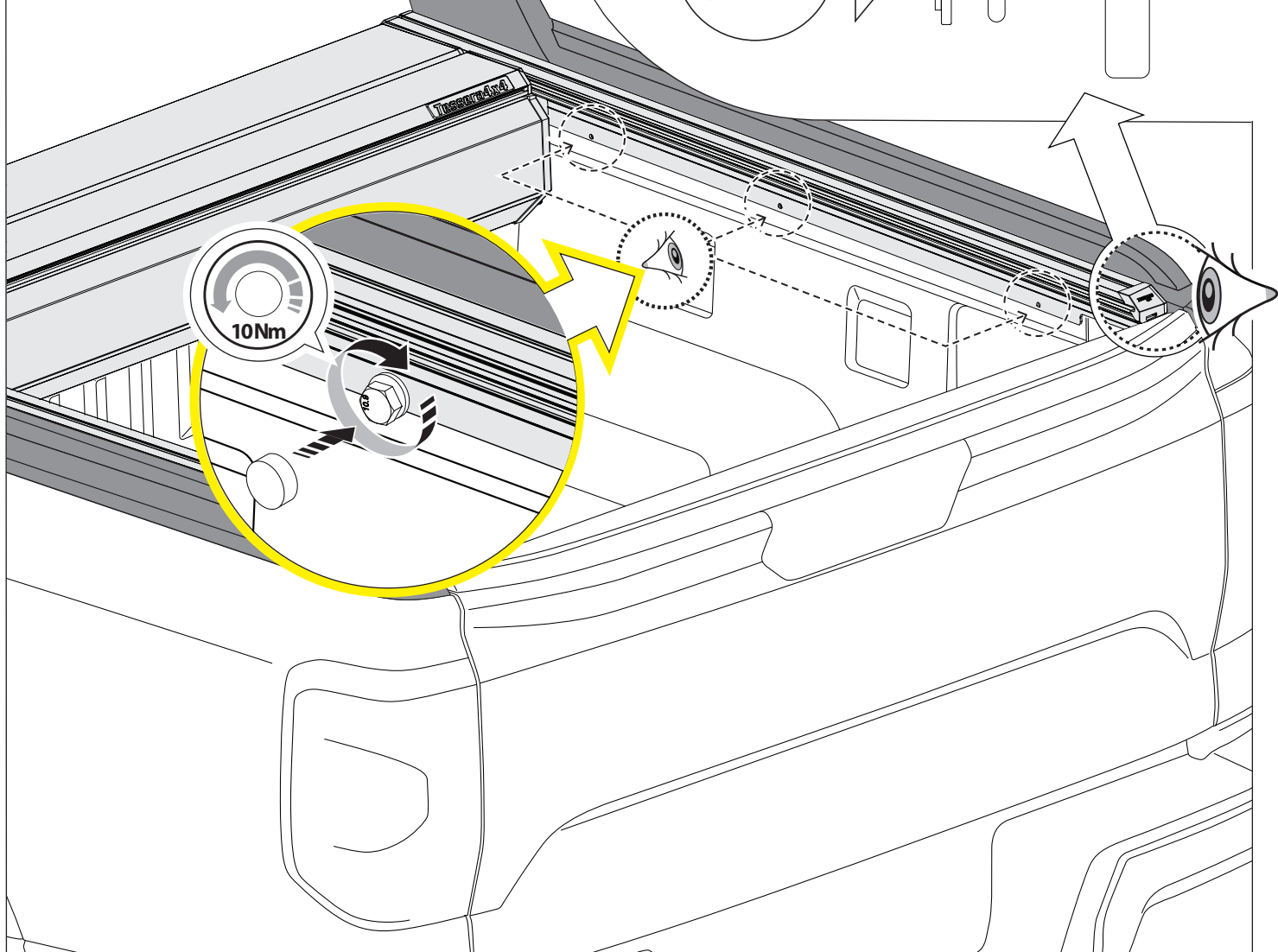
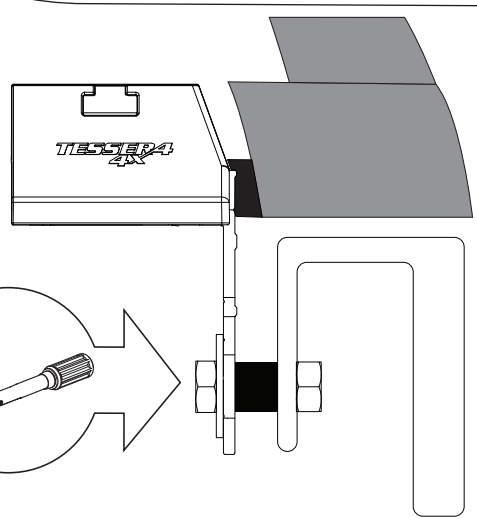
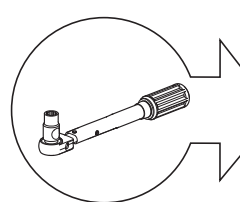
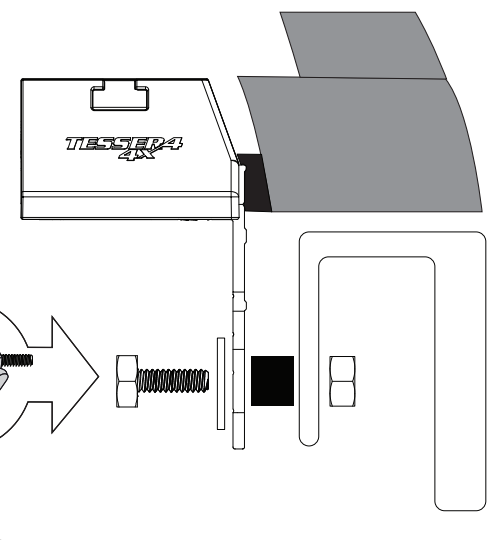
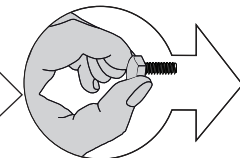
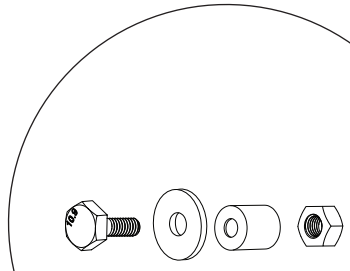
E2

-  ✓
-  ✓
-  ✓
-  ✓
-  ✓

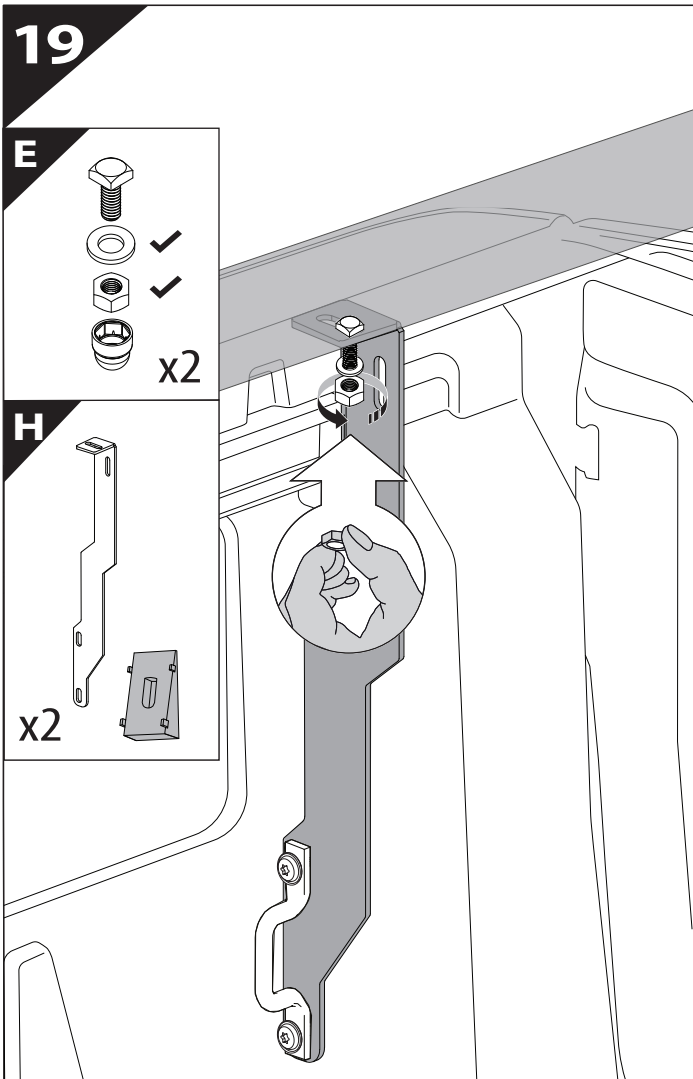
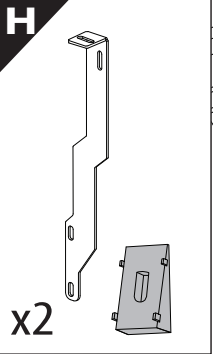
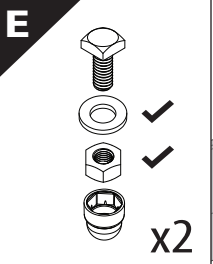
x6



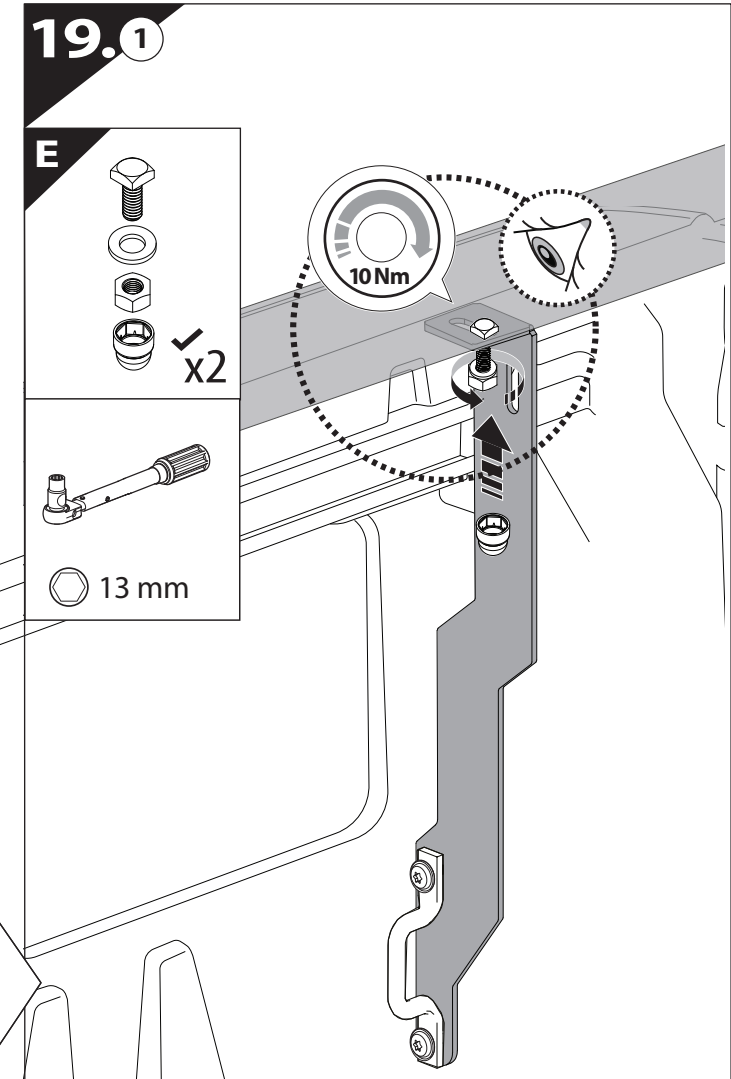
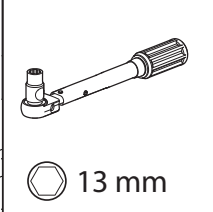
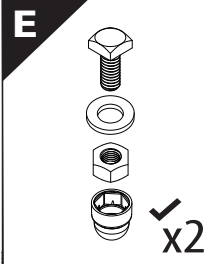
10 mm



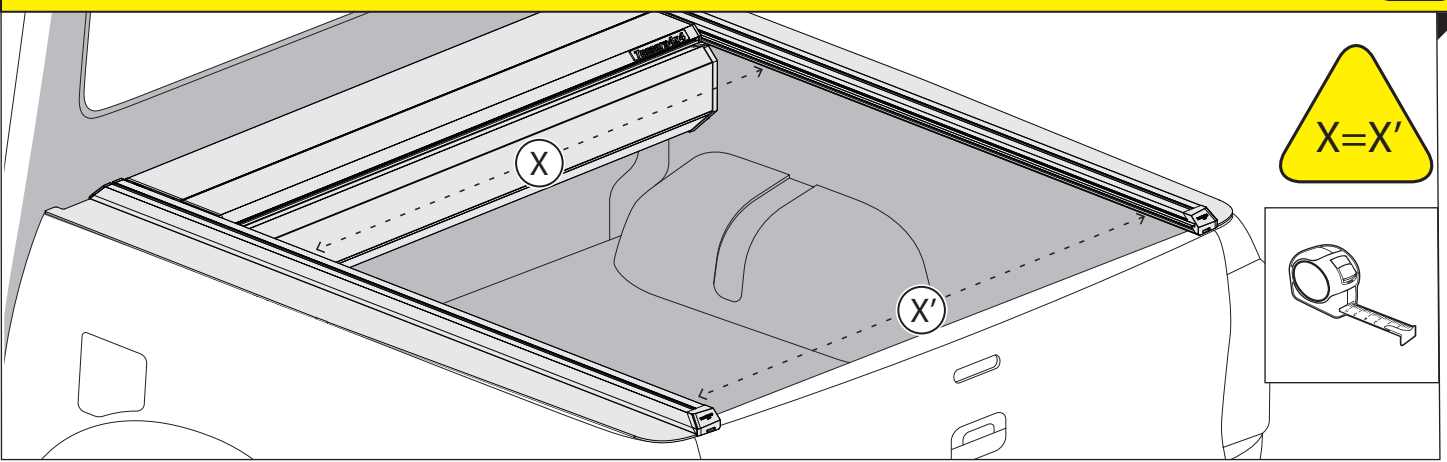
19



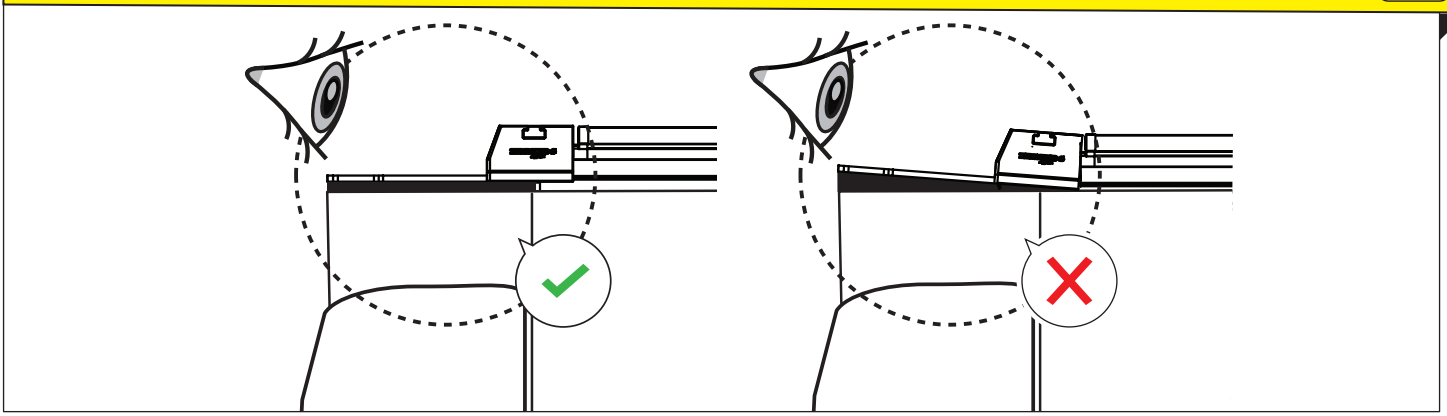
19.1

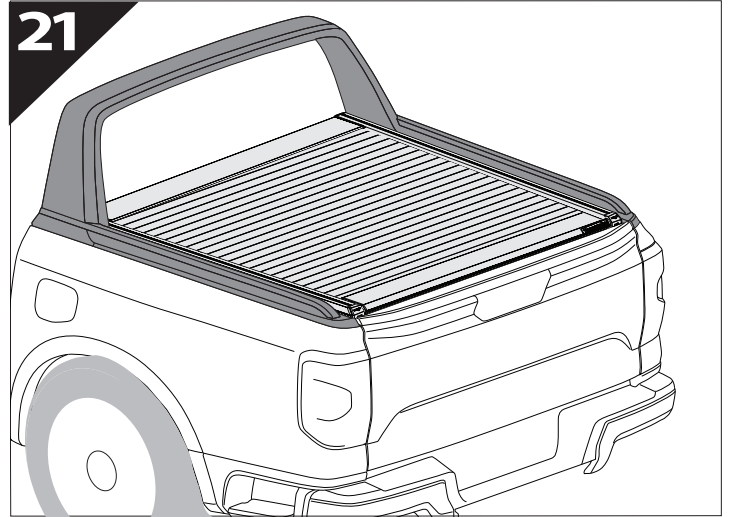
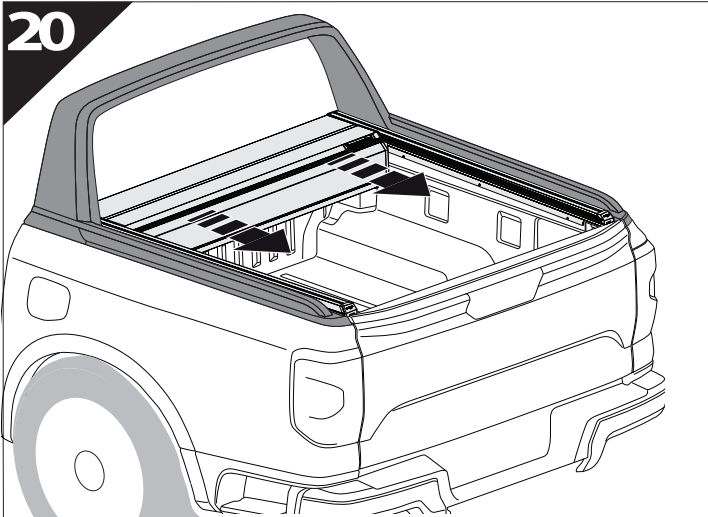


CAUTION !



CAUTION !





**GR:** Οδηγίες Εγκατάστασης  
**GB:** Installation manual  
**SF:** Asennusohje  
**F:** Notice de montage  
**PL:** Instrukcja montażu  
**NL:** Installatie-instructies  
**TR:** Montaj Talimatı  
**S:** Monteringsanvisning  
**E:** Instrucciones de montaje

**H:** Szerelési utasítás  
**P:** Instruções de instalação  
**RUS:** Инструкция по установке  
**N:** Monteringsveiledning  
**D:** Einbauanleitung  
**CZ:** Návod k instalaci  
**I:** Istruzioni de montaggio  
**DK:** Monteringsvejledning  
**RO:** Instructiuni de instalare

Customer Service:

+30 (210) 5541161, +30 (210) 5541154 (08:00 - 16:00 EET)

Support department:

info@gianso.gr

Website:

www.tessera4x4.com

Address:

19.5 km of National road Athens-Korinthos (Elefsina) Greece, P.C: 19200