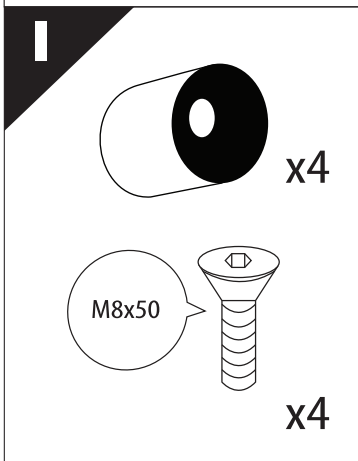
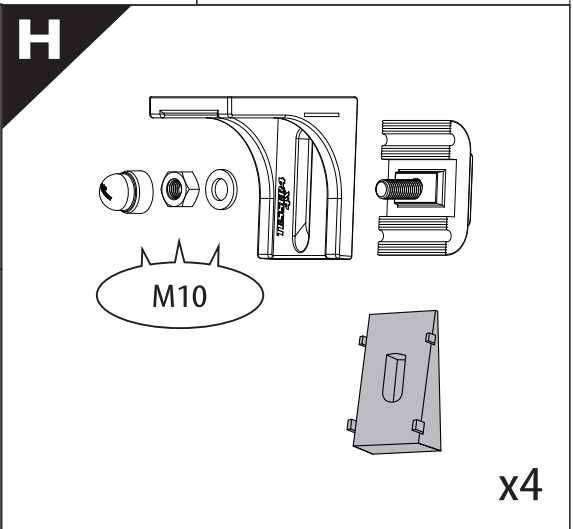
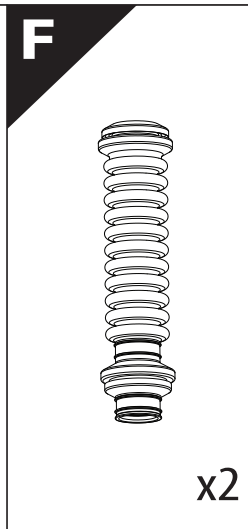
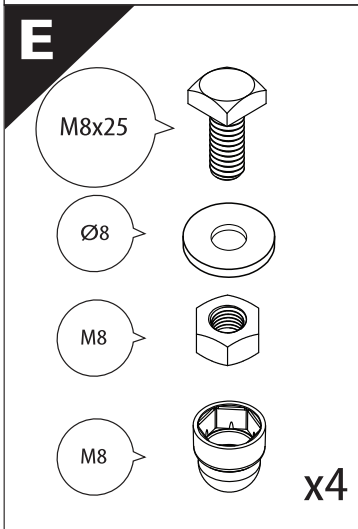
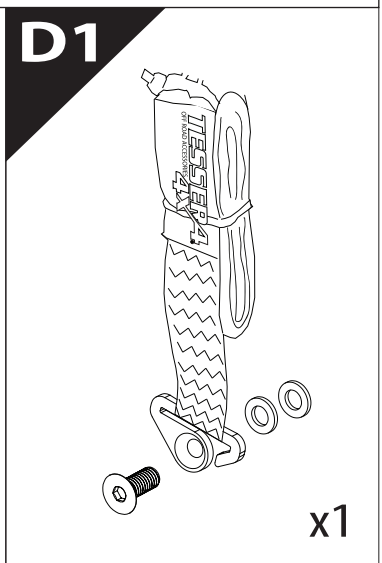
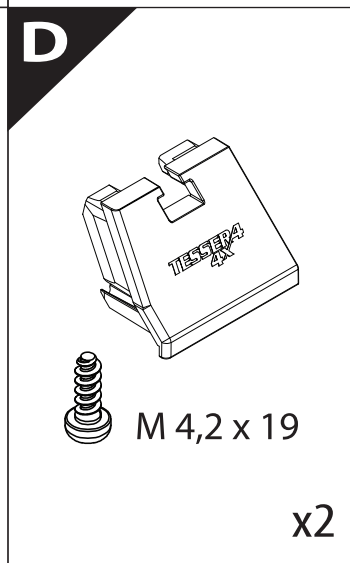
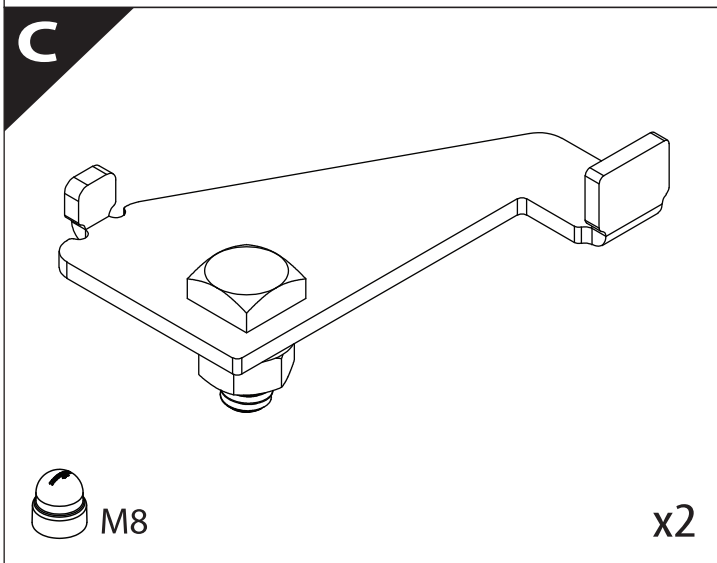
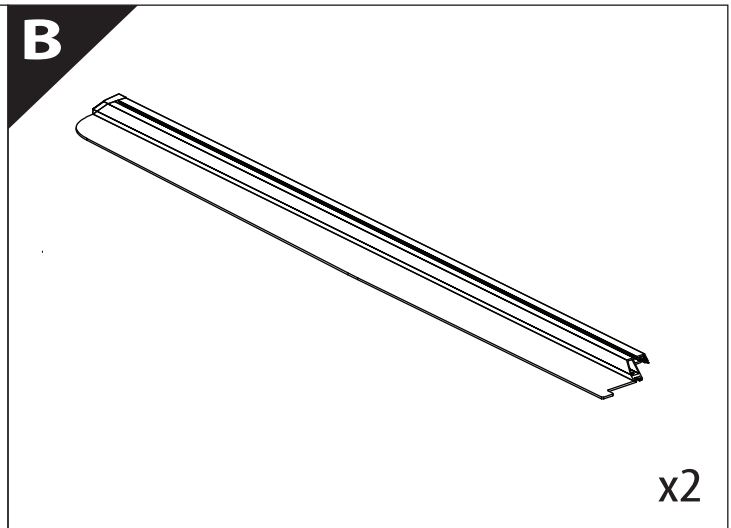
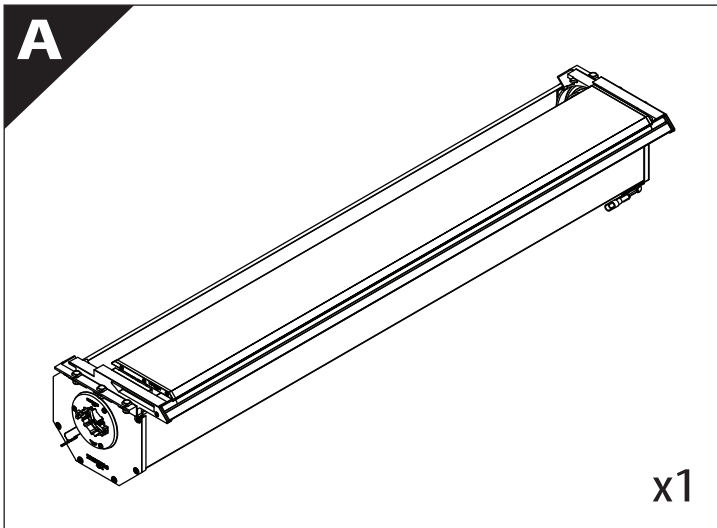
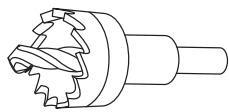


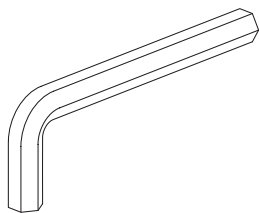
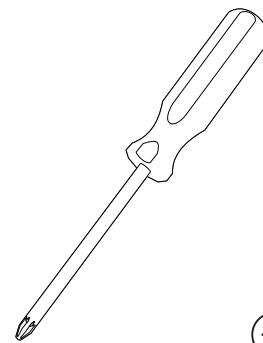
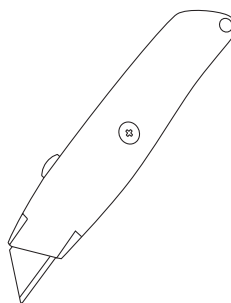
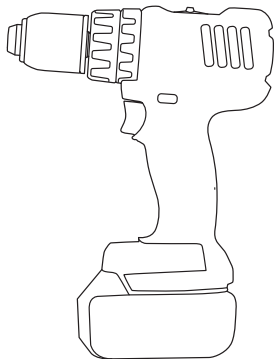
## Installation Manual

<b>PART NUMBER(S)</b>	<b>Model Year</b>
<b>TESS 1501 SE + ADAPT 006</b>	<b>VW Amarok WITH OEM ROLL BAR 2010-2021</b>
<b>Cab(s)</b>	<b>Installation Time / Weight</b>
<b>Double Cab</b>	<b>40-60 minutes / 53-57 kg</b>

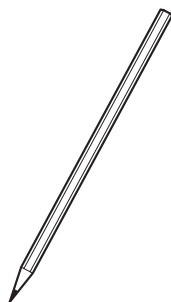




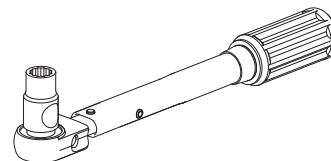
Ø 25 mm / Ø 40 mm



4, 5, 6 mm



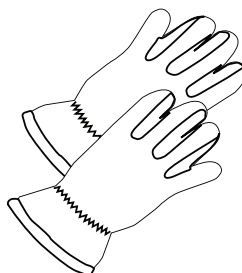
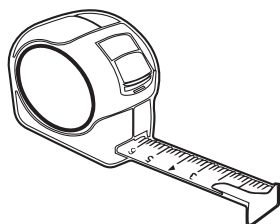
1 - 25 Nm



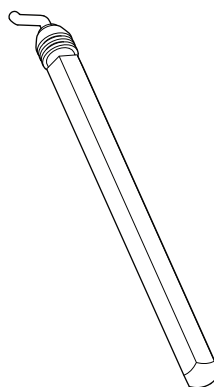
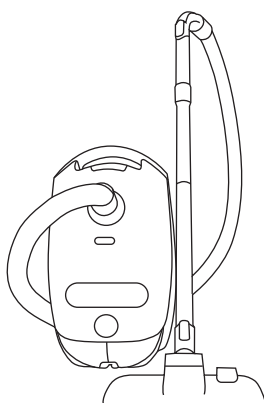
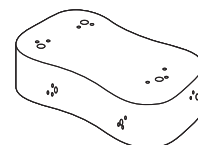
13, 17 mm



ACETONE



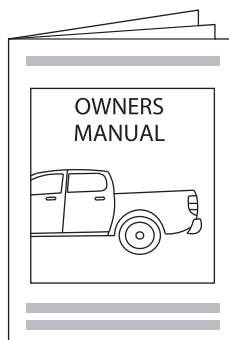
H<sub>2</sub>O



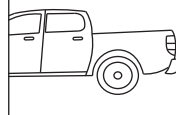
ANTI-RUST



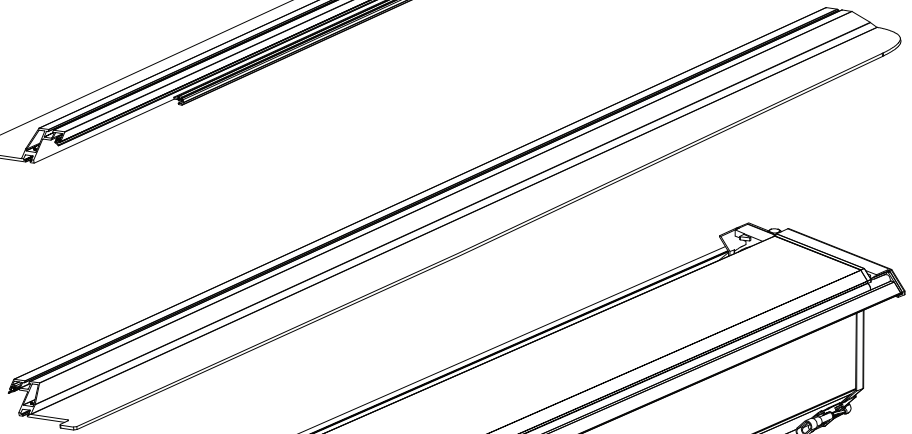
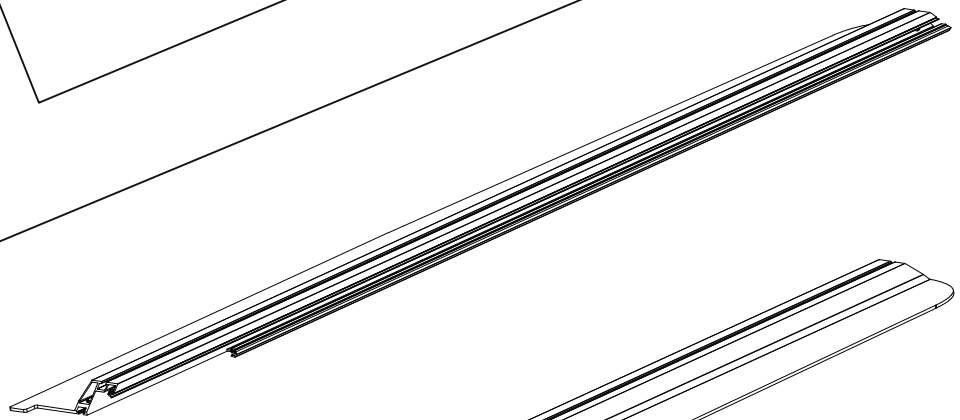
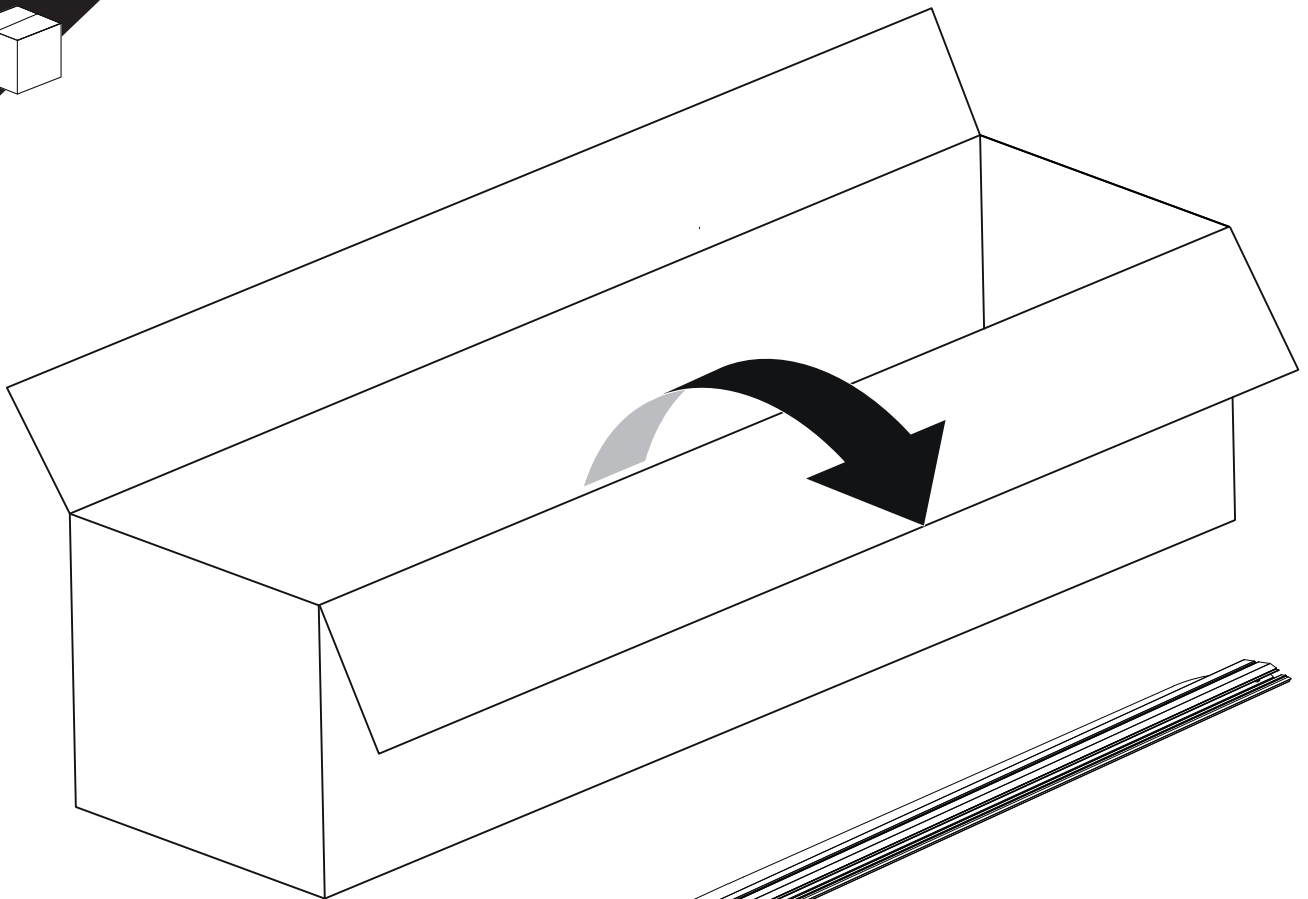
INSTALLATION  
MANUAL



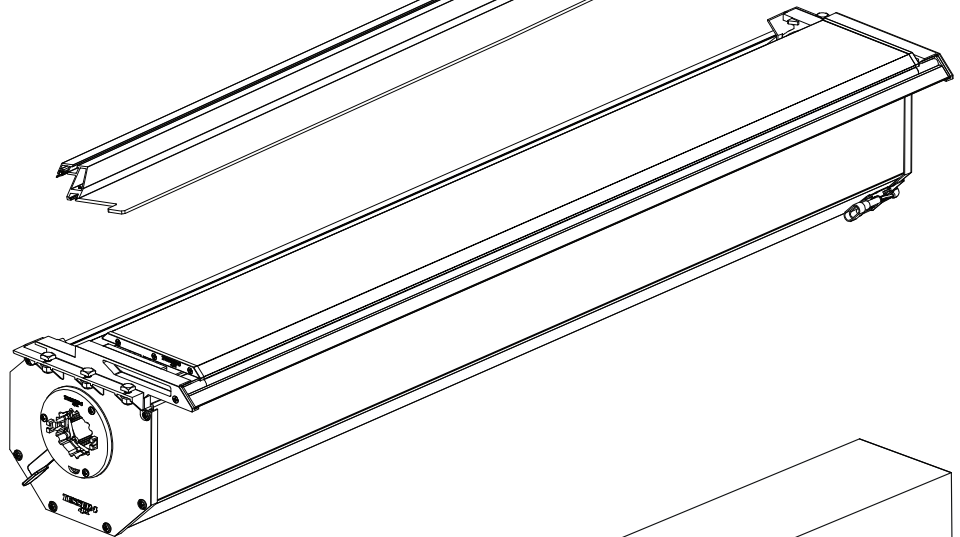
OWNERS  
MANUAL



x1

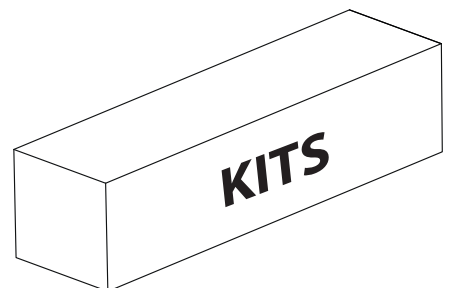


**B**

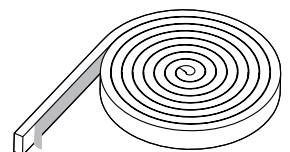


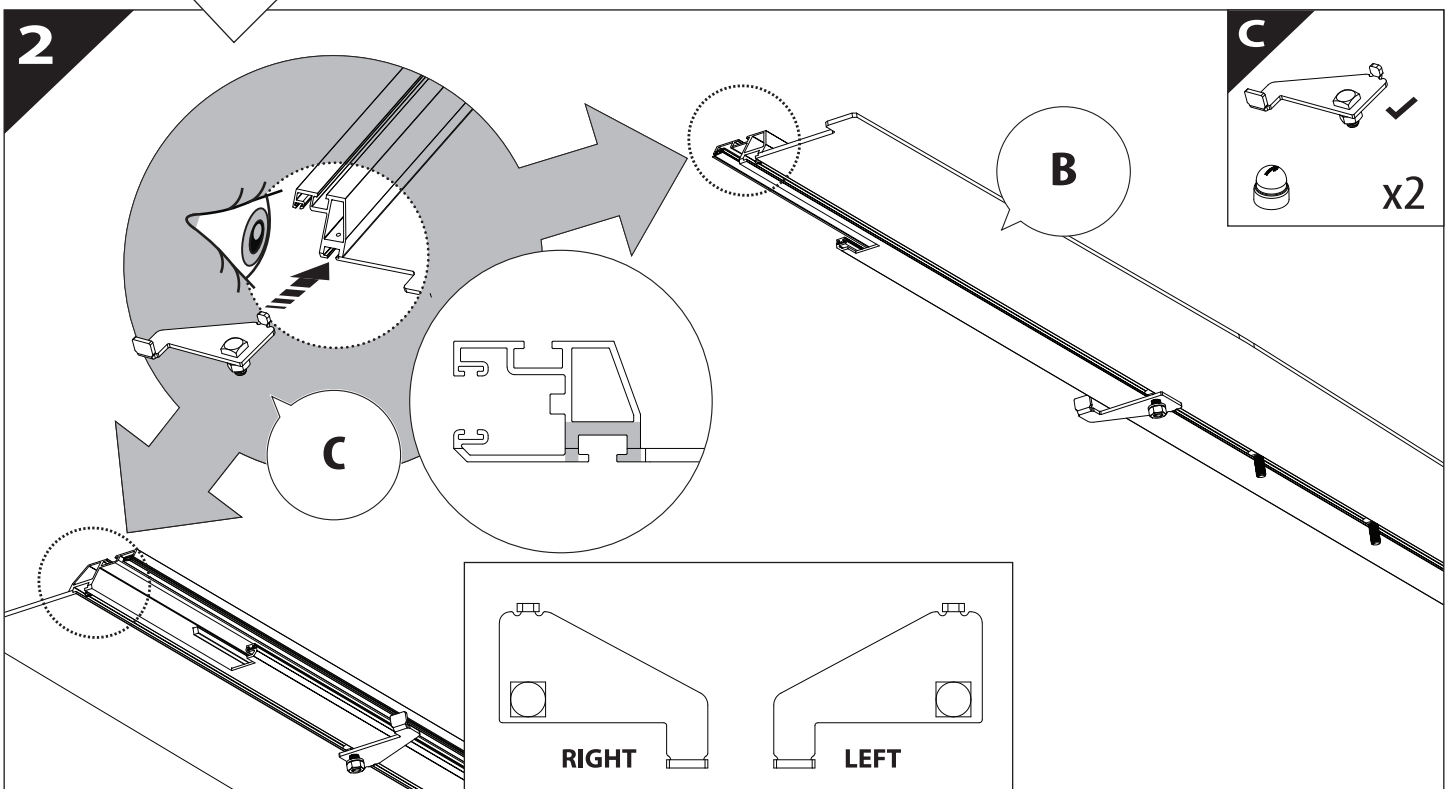
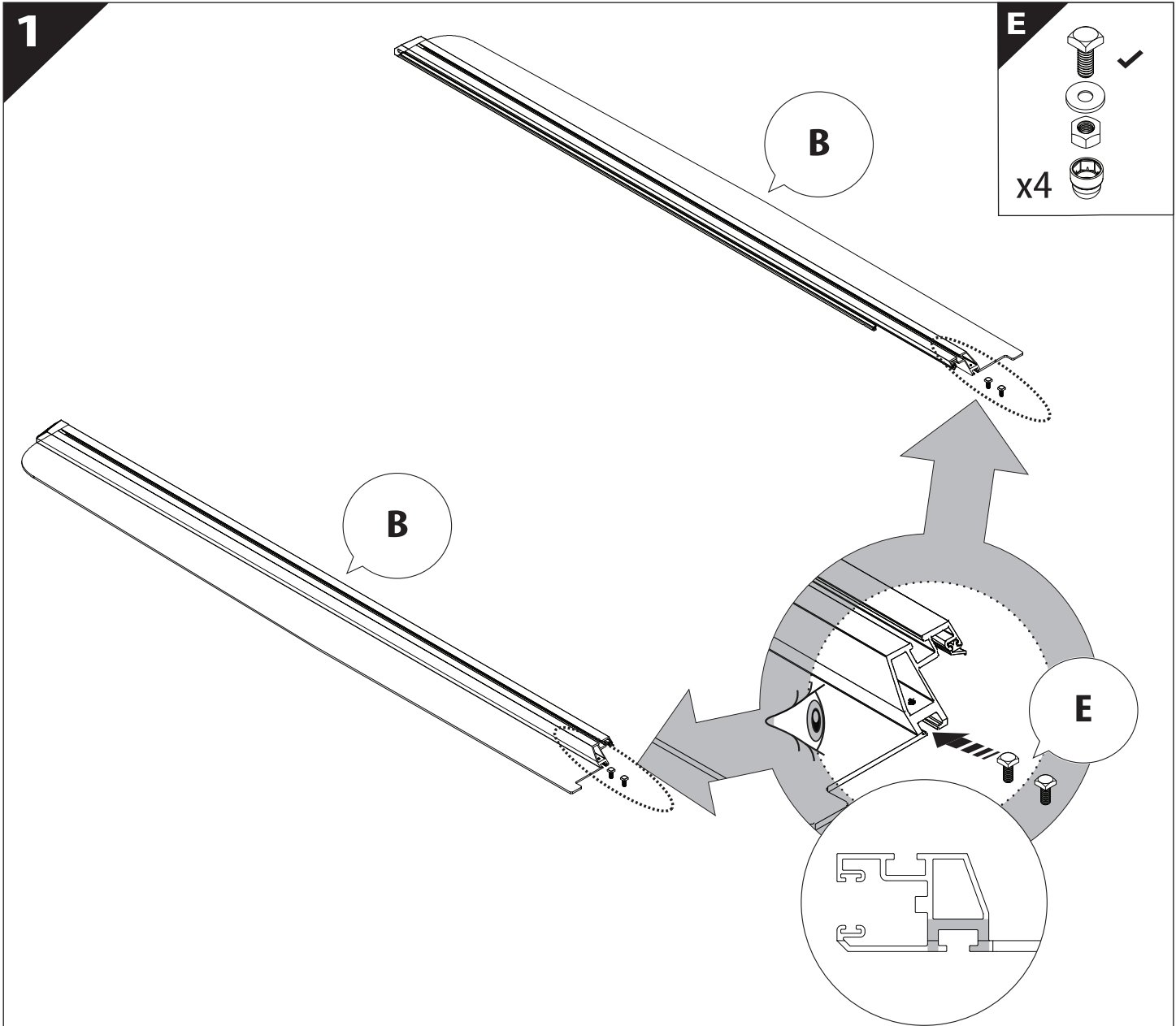
**A**

**KITS**

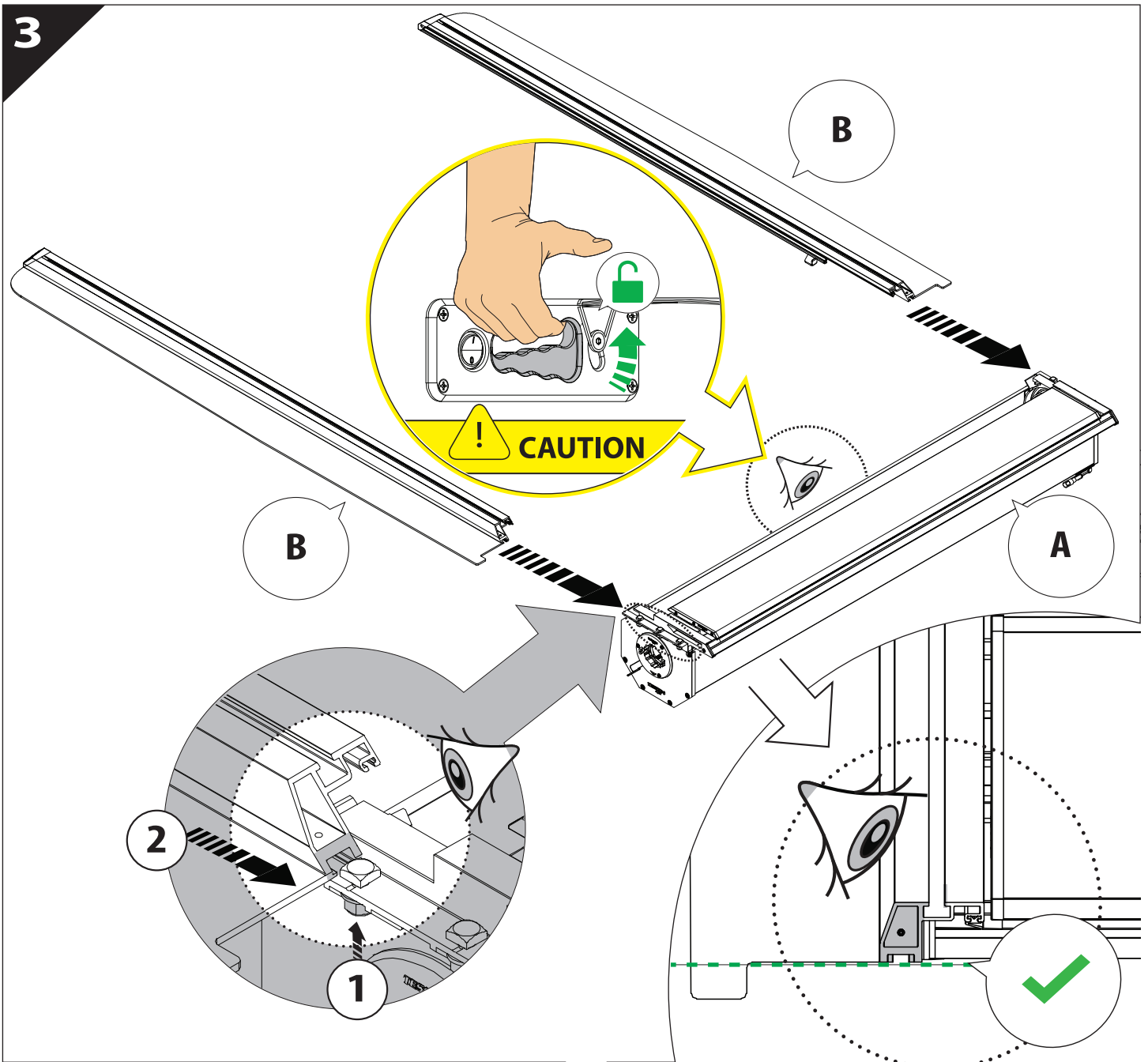


**G**

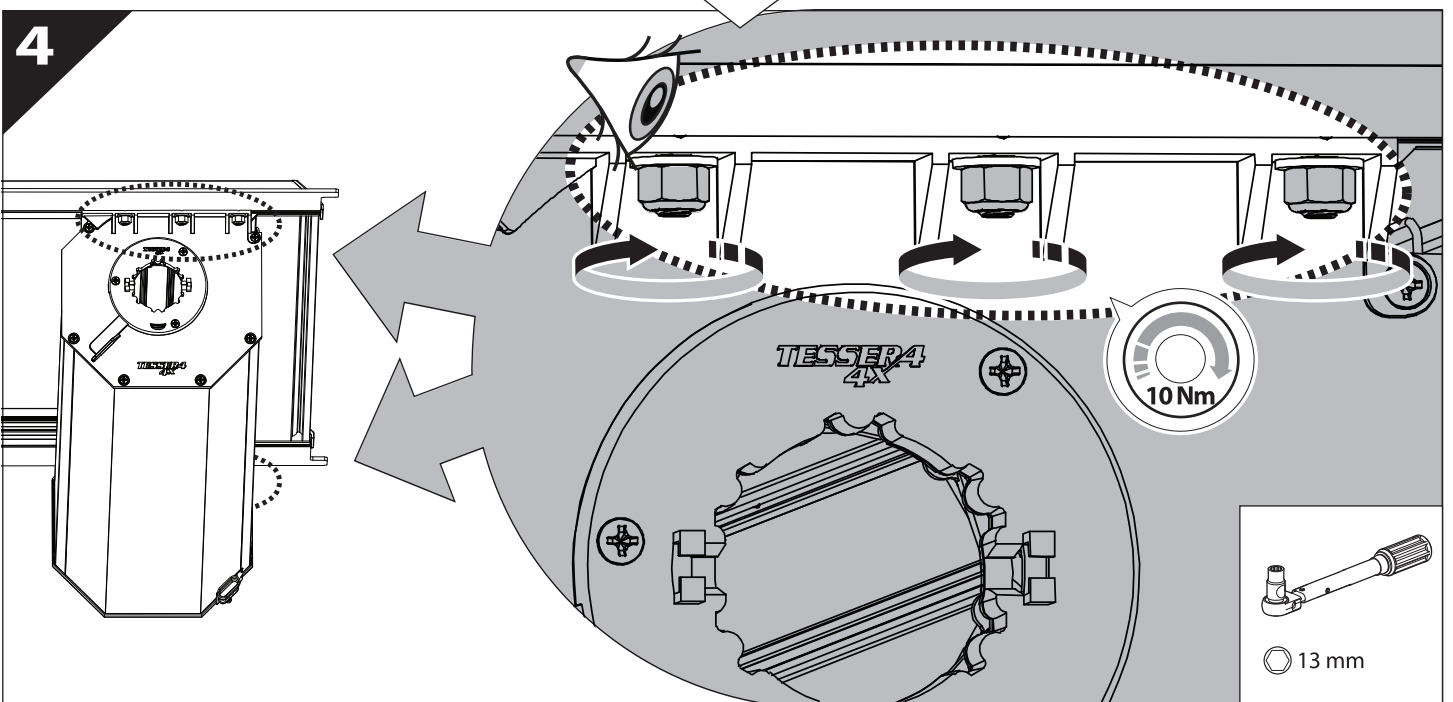


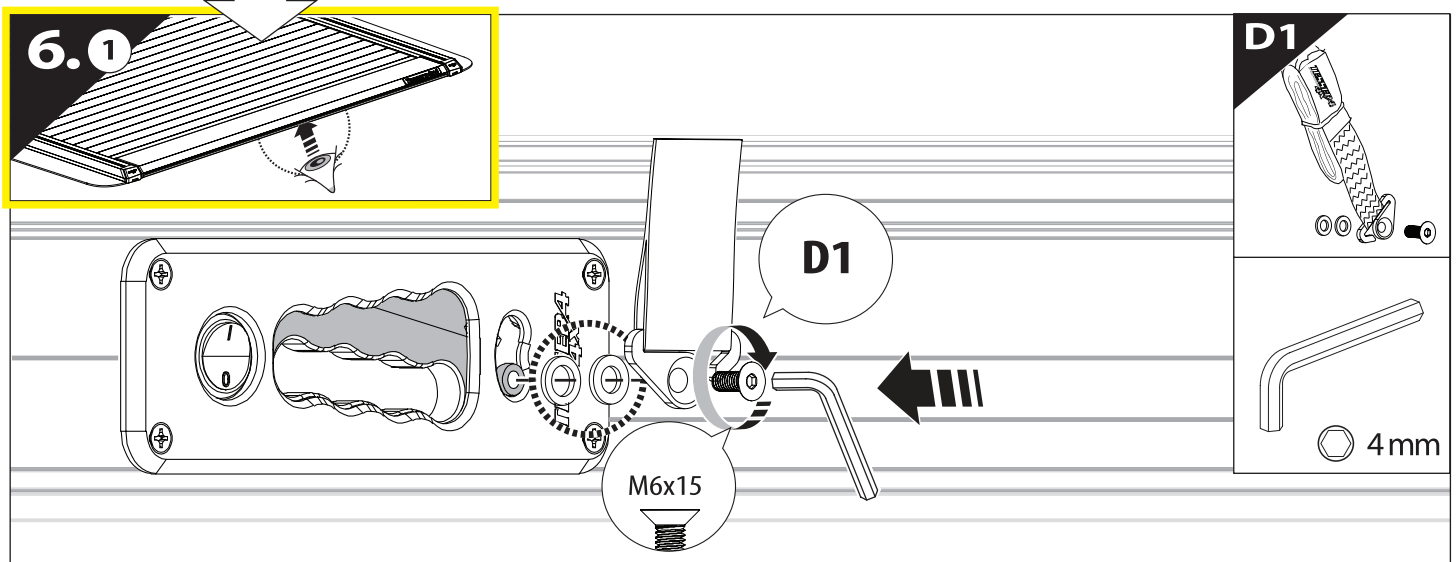
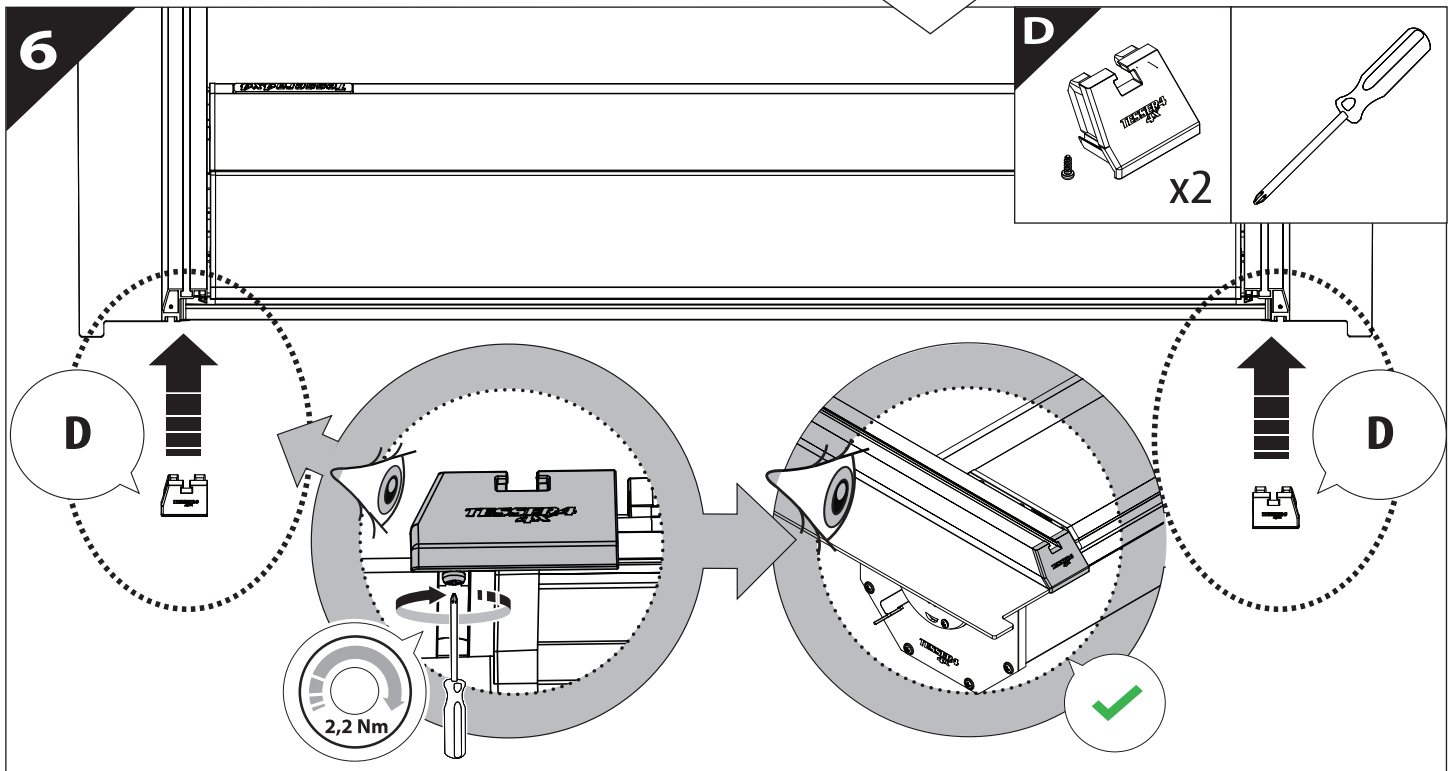
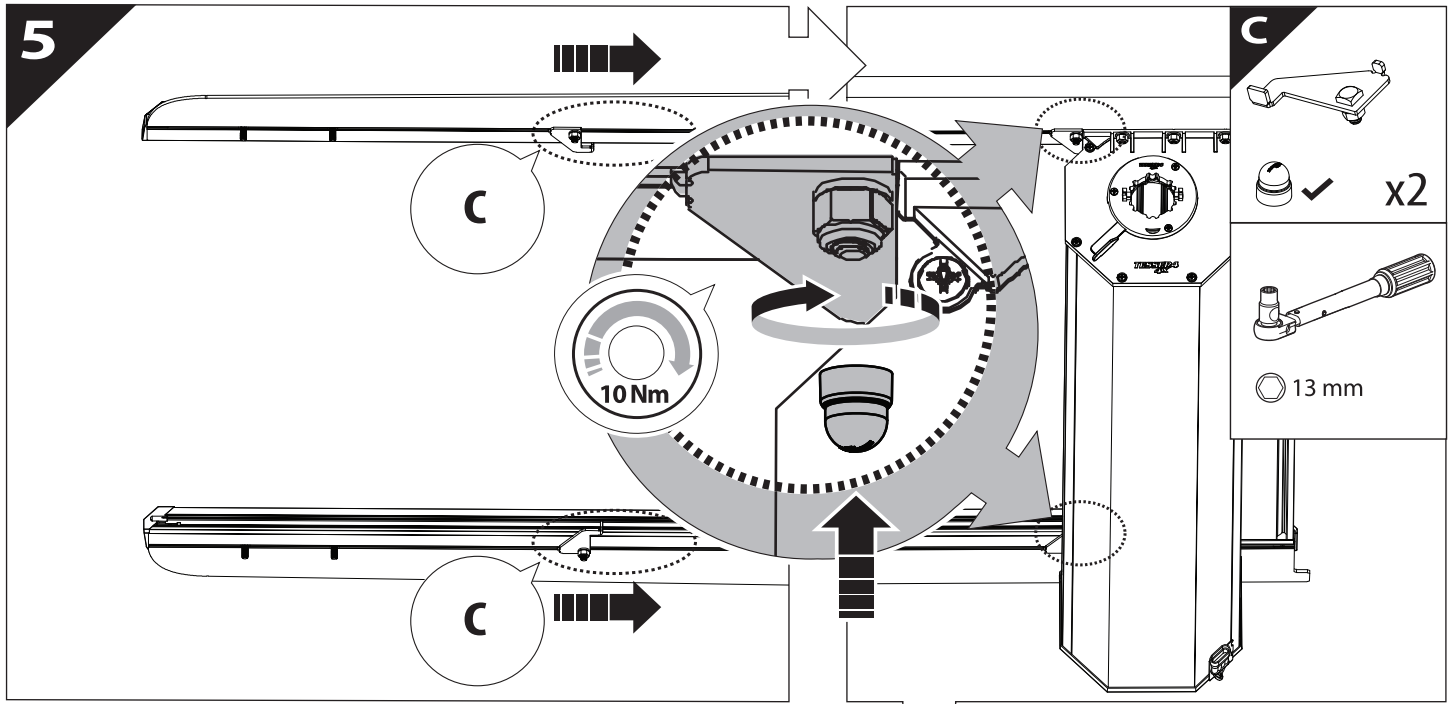


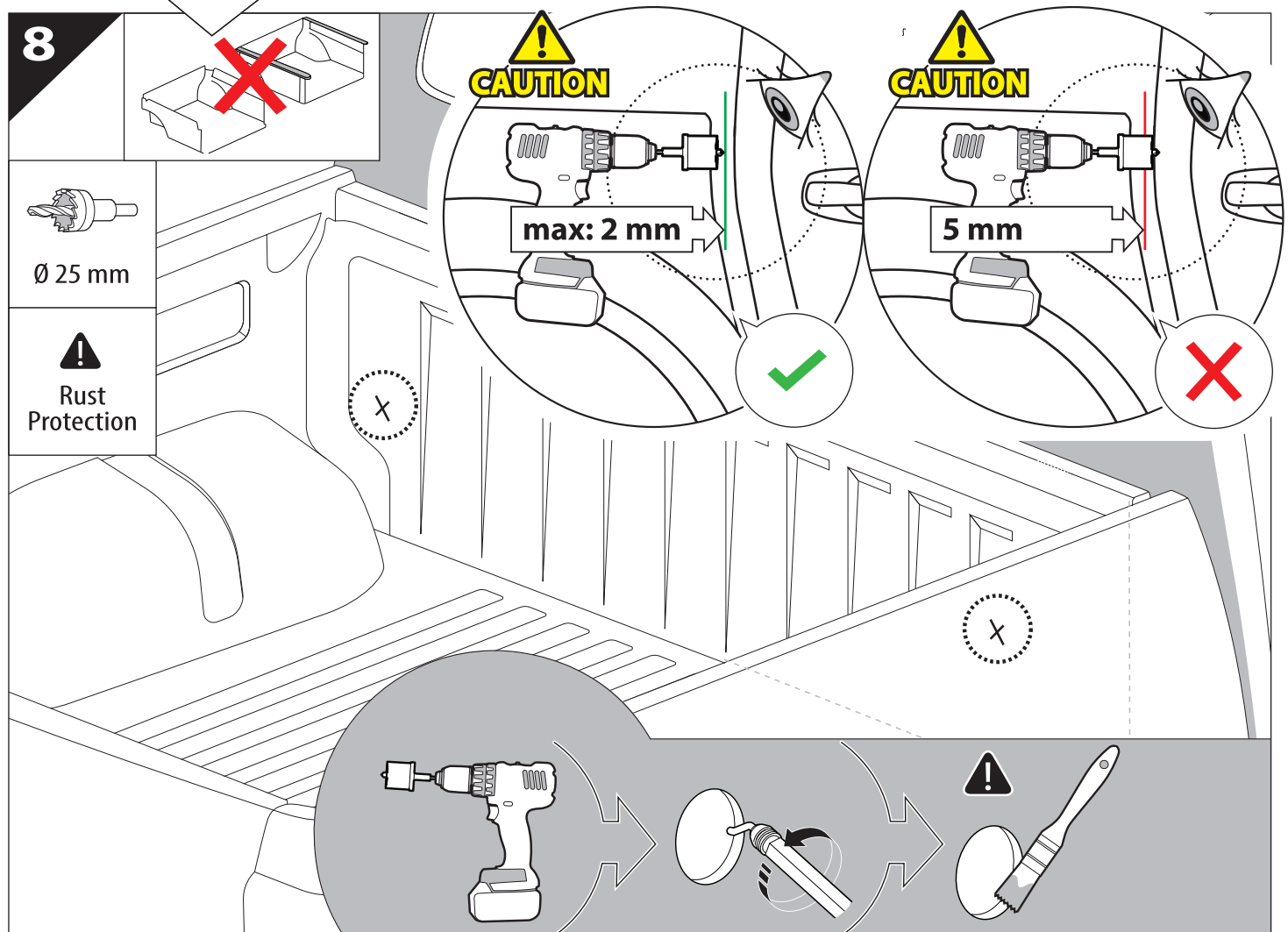
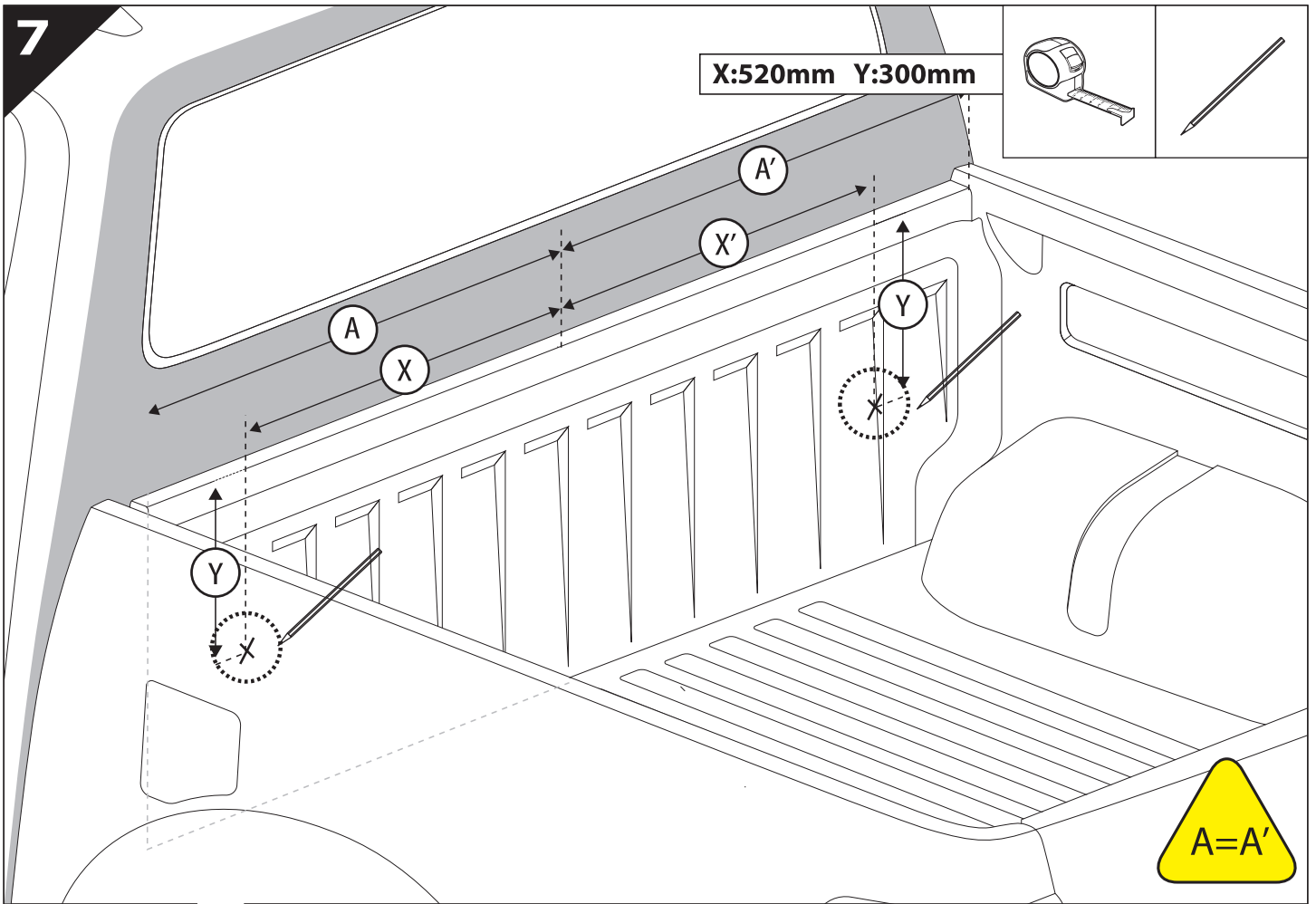
3



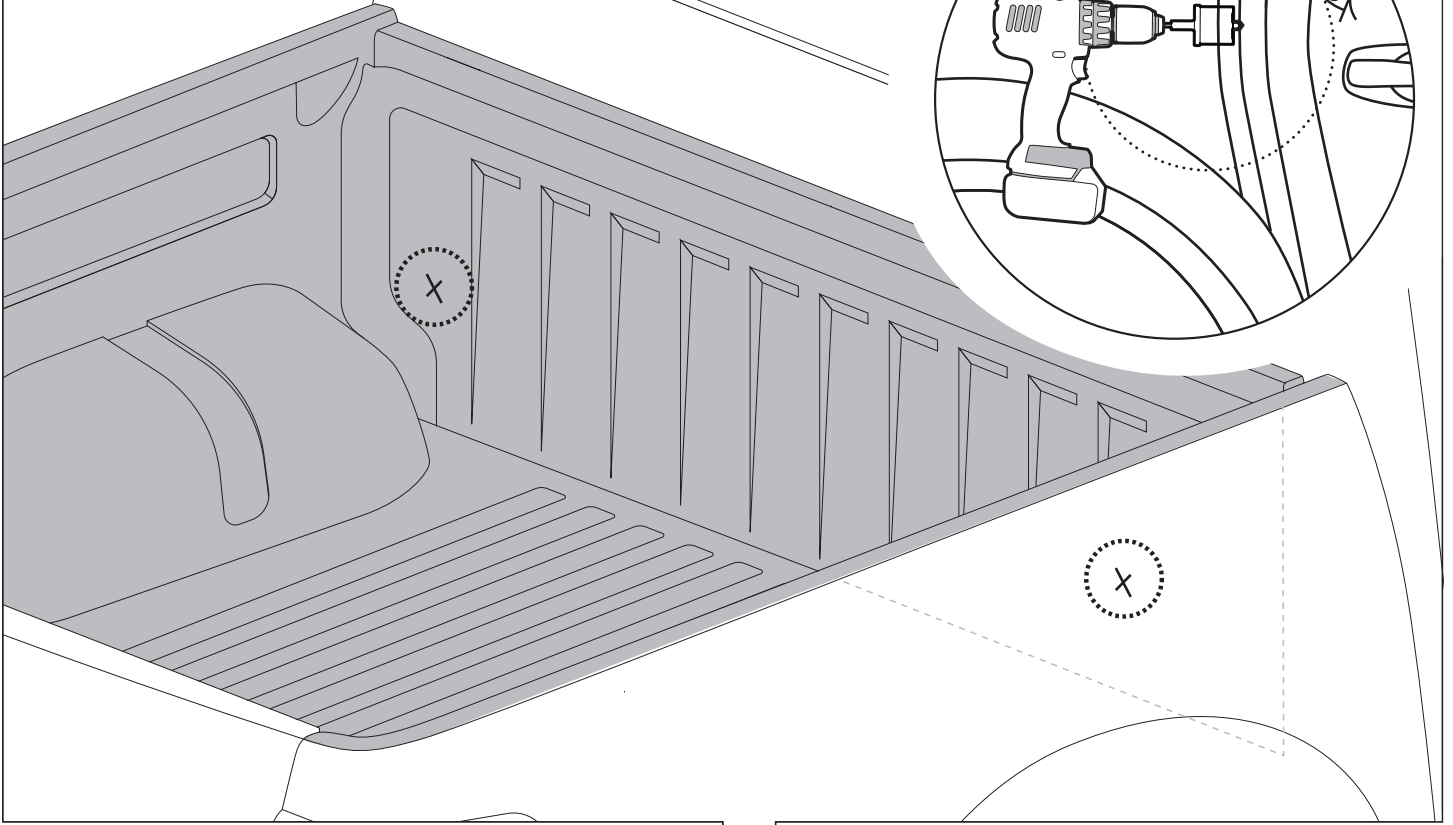
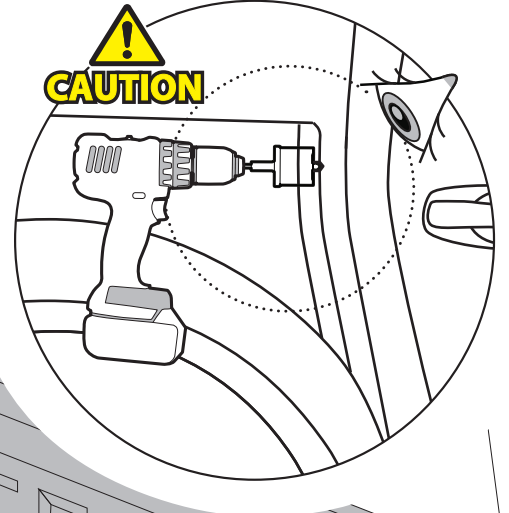
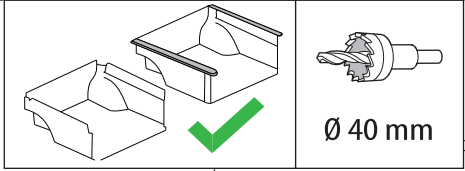
4



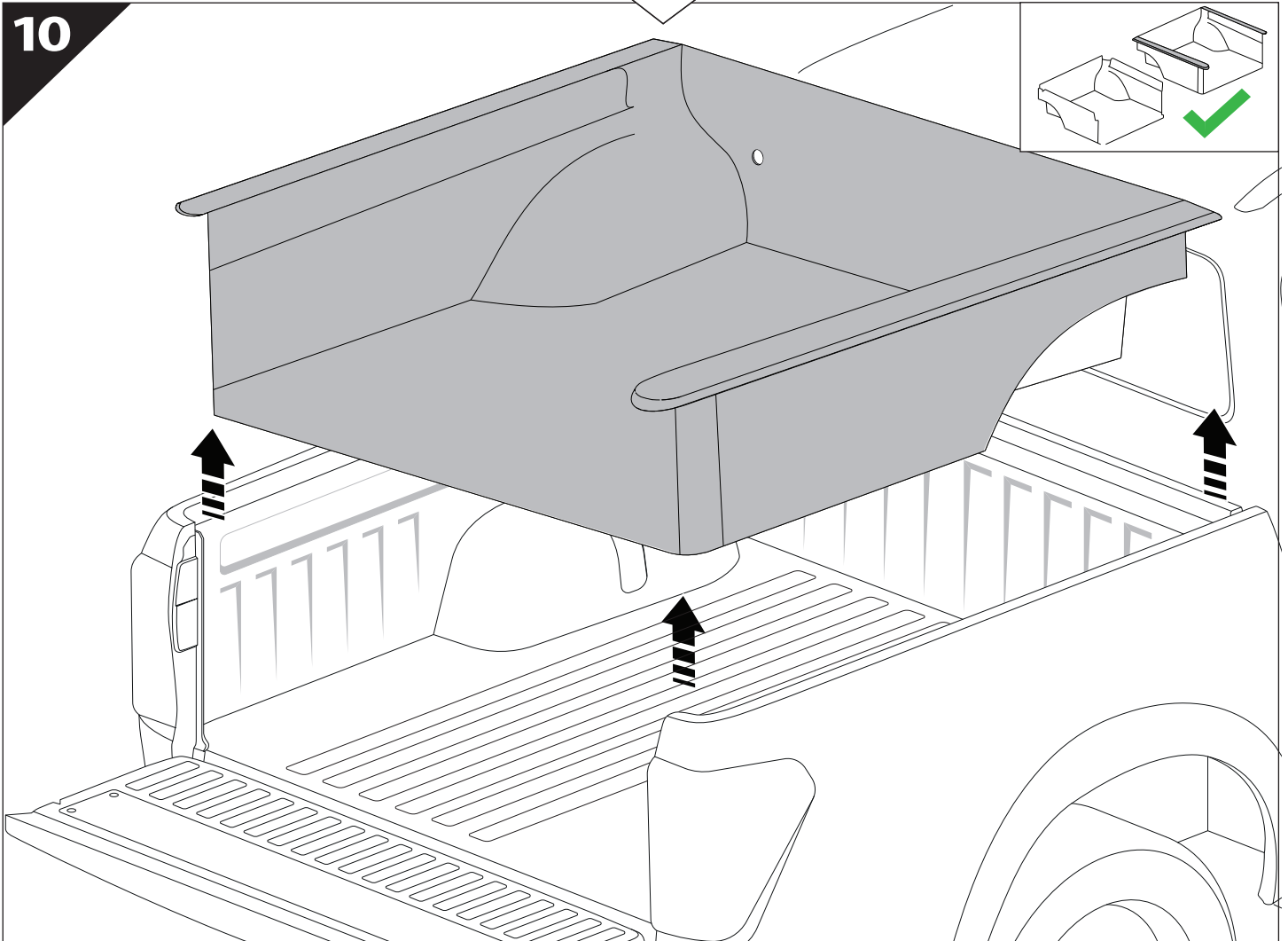
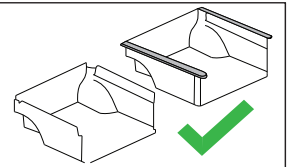


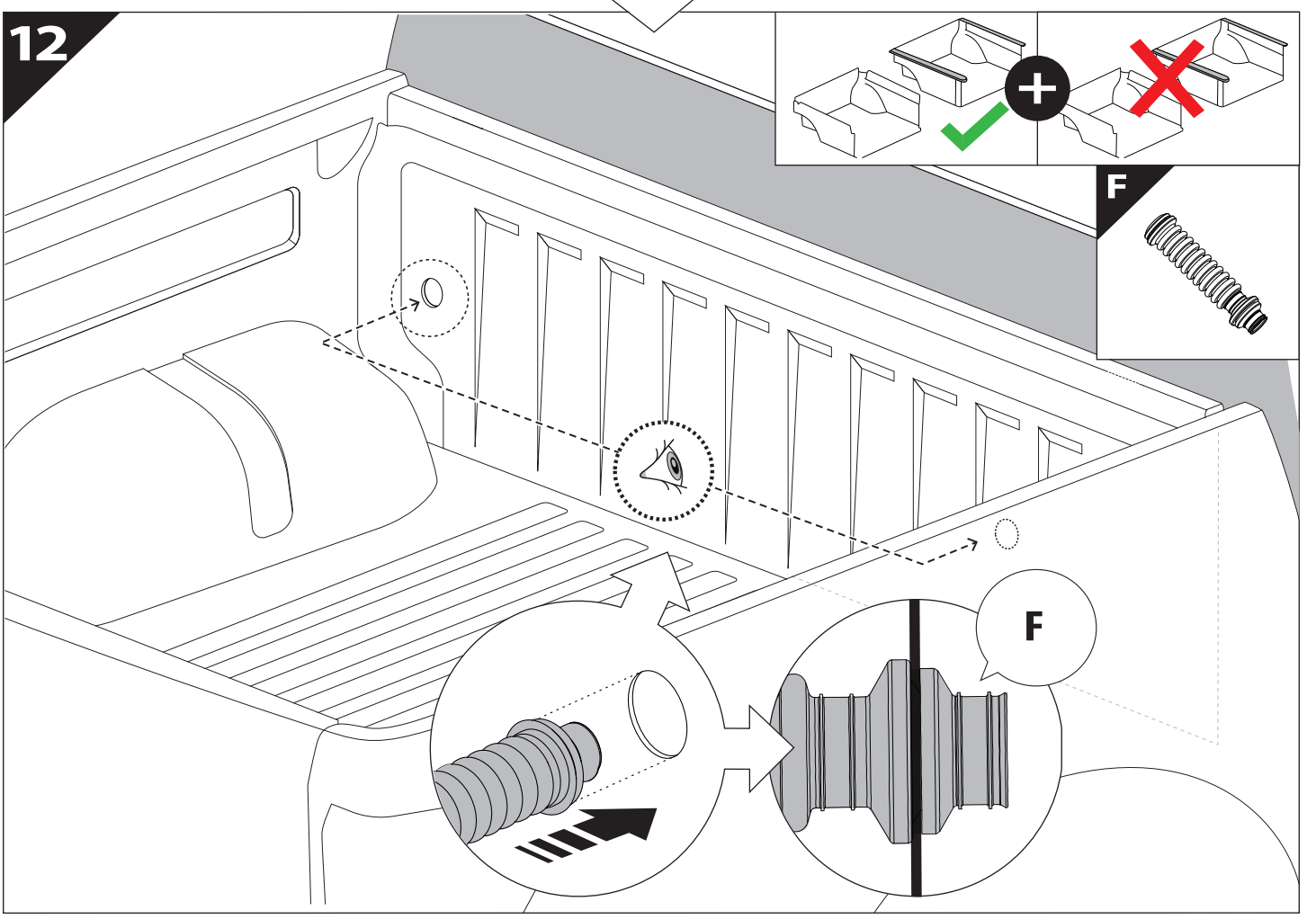
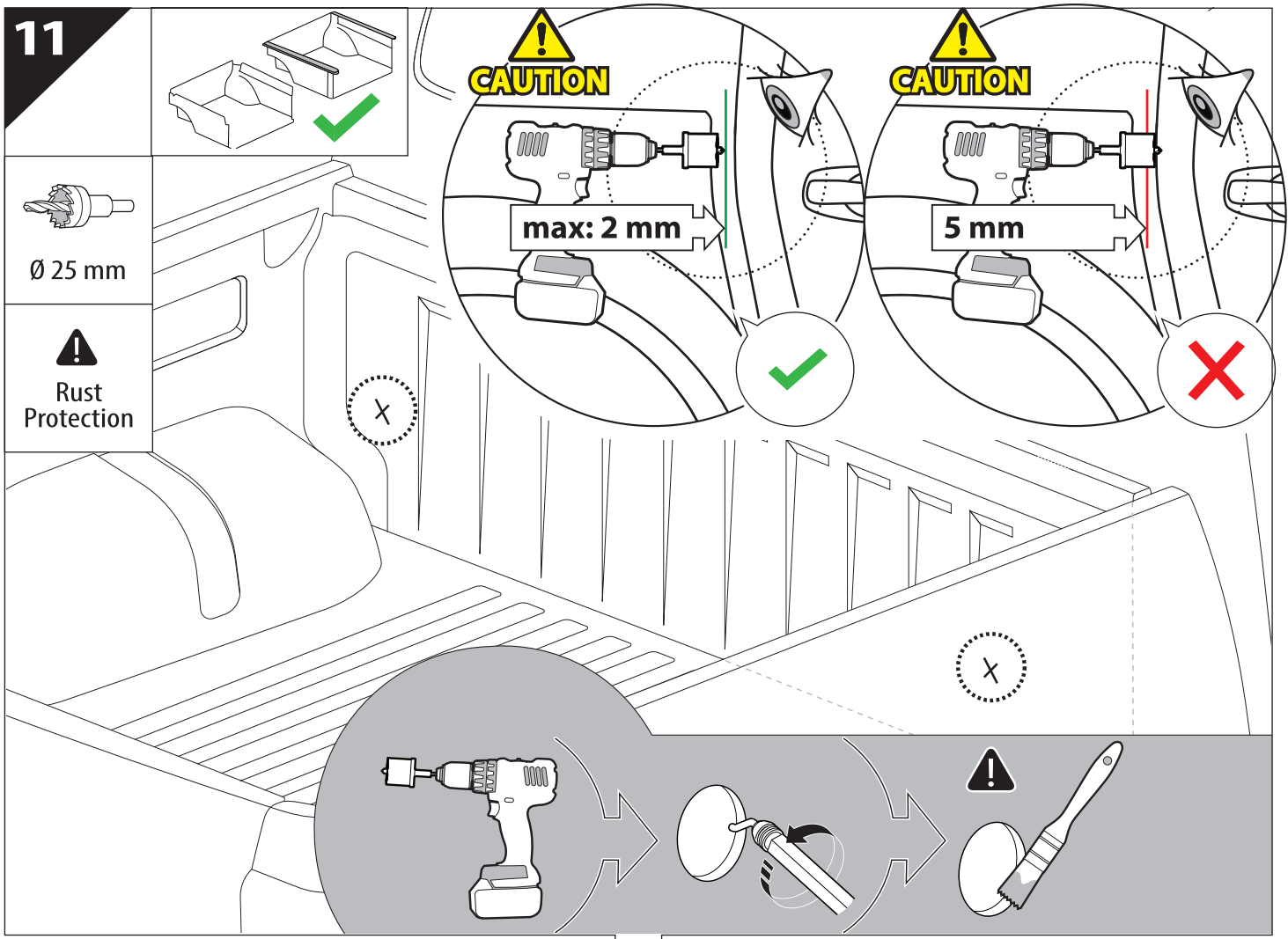


9

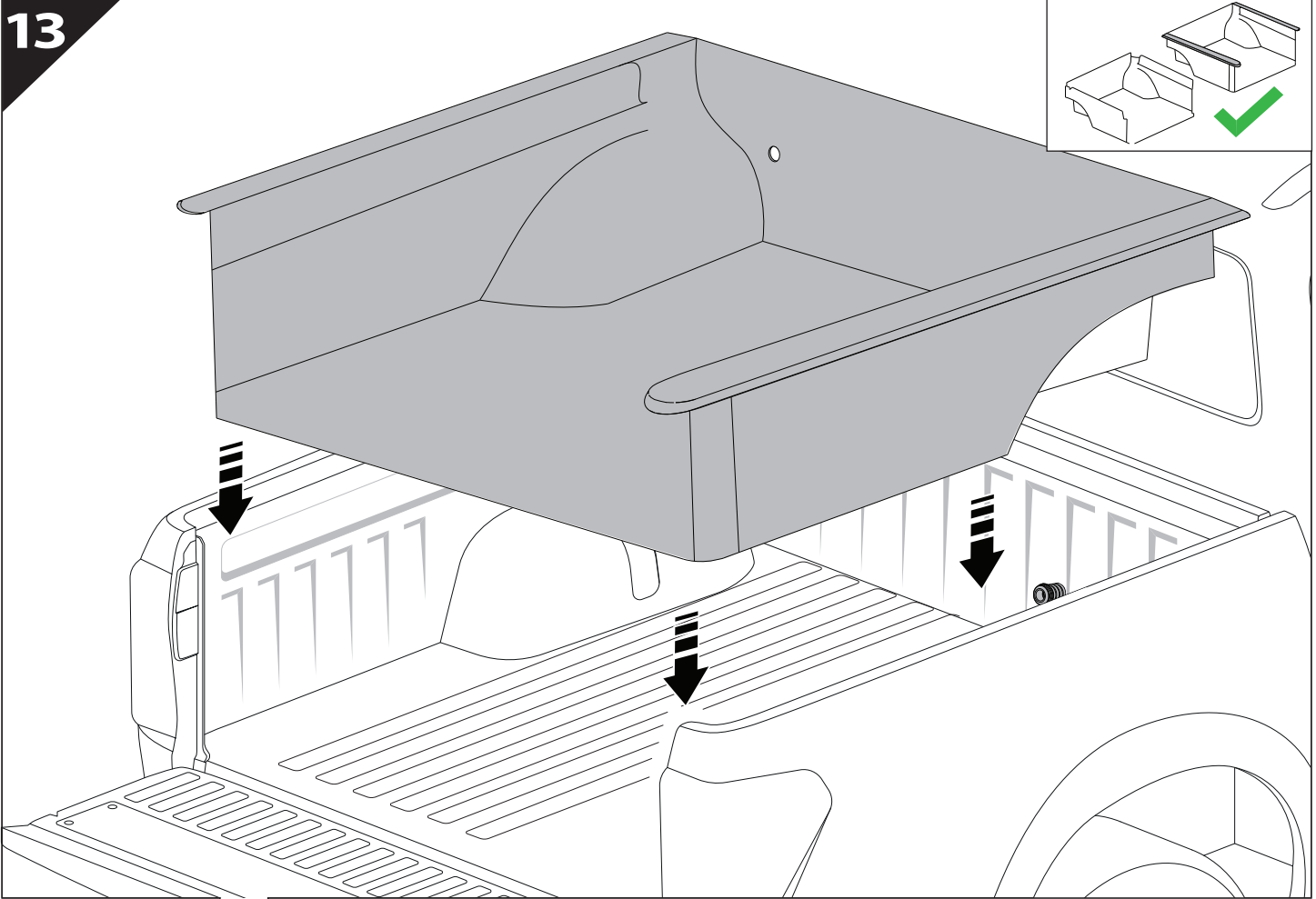


10

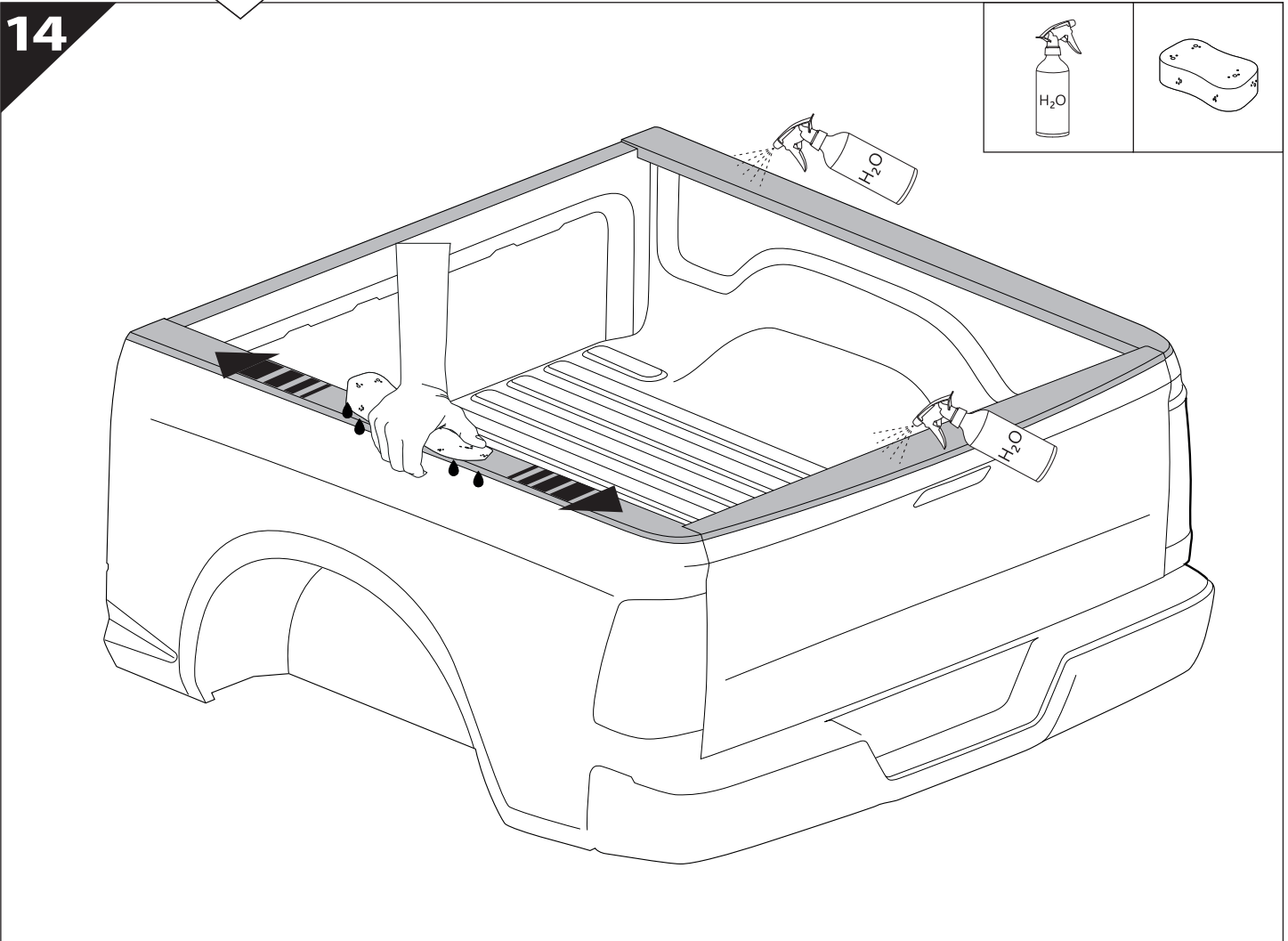


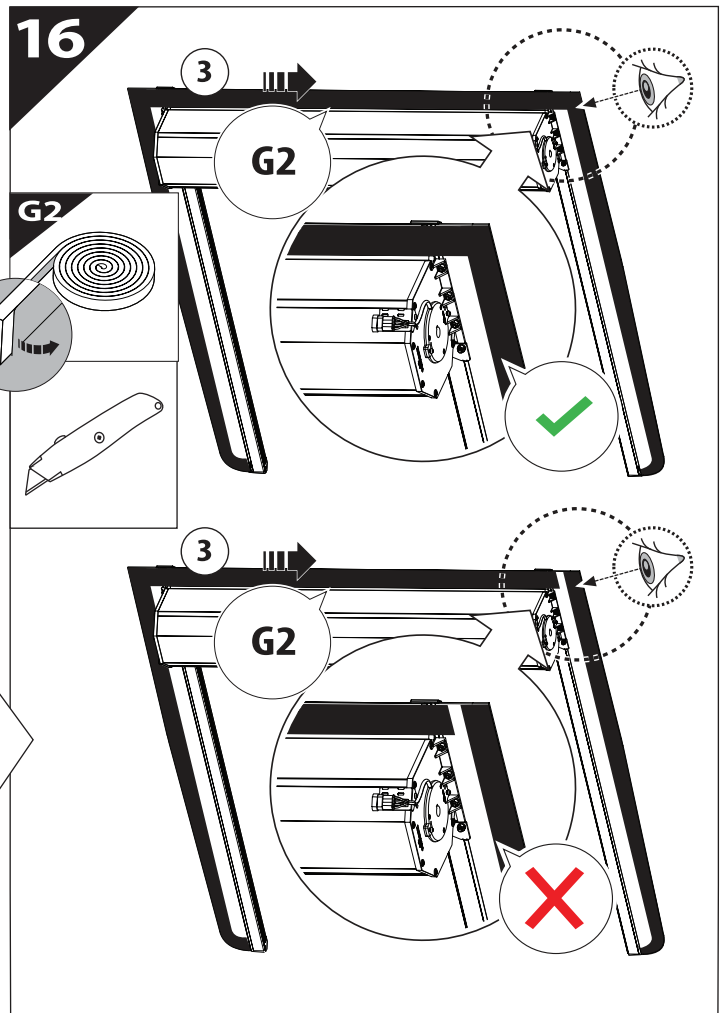
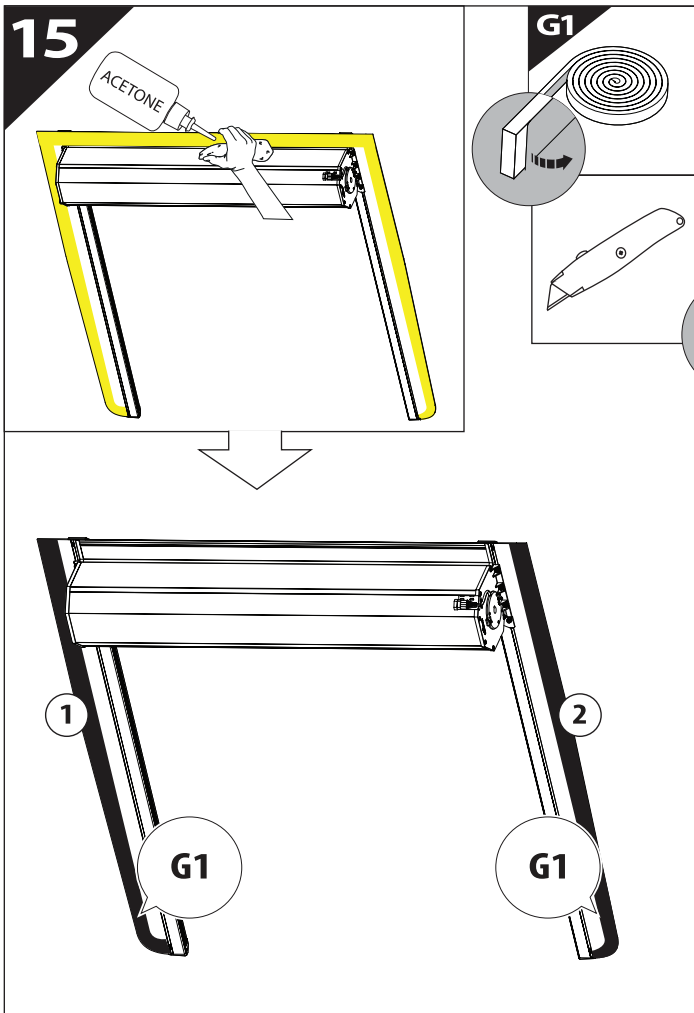


13

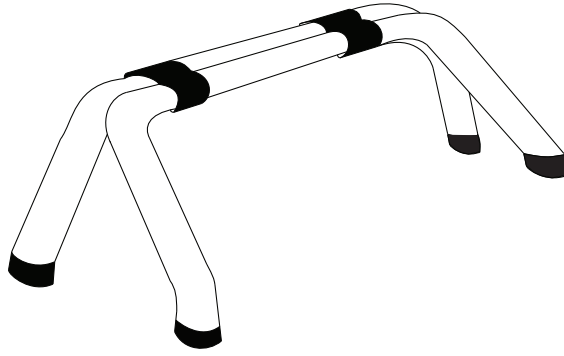


14

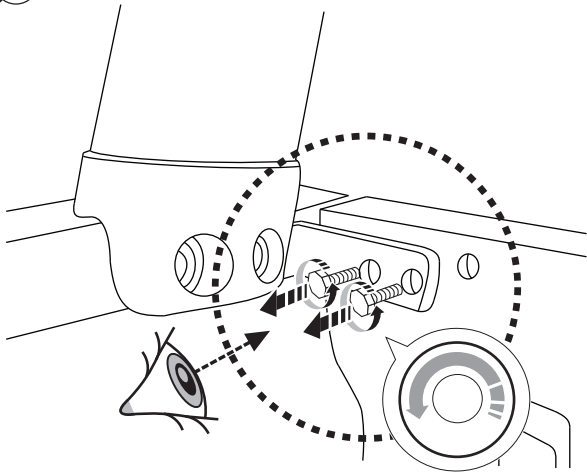




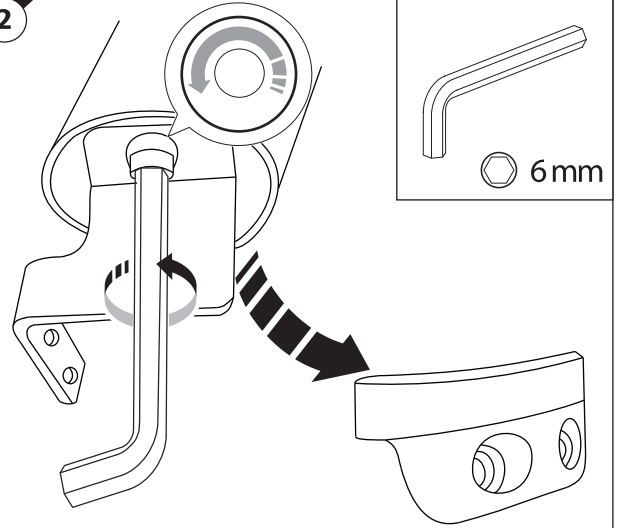
17



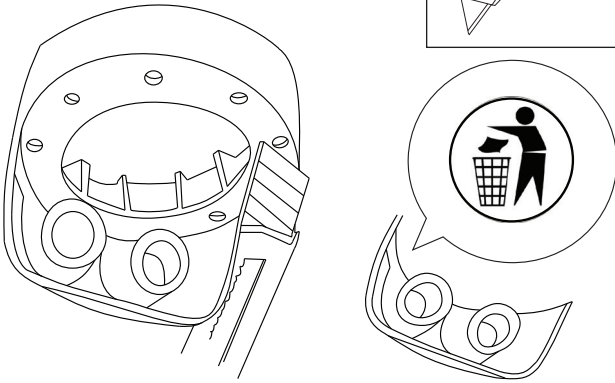
17.1



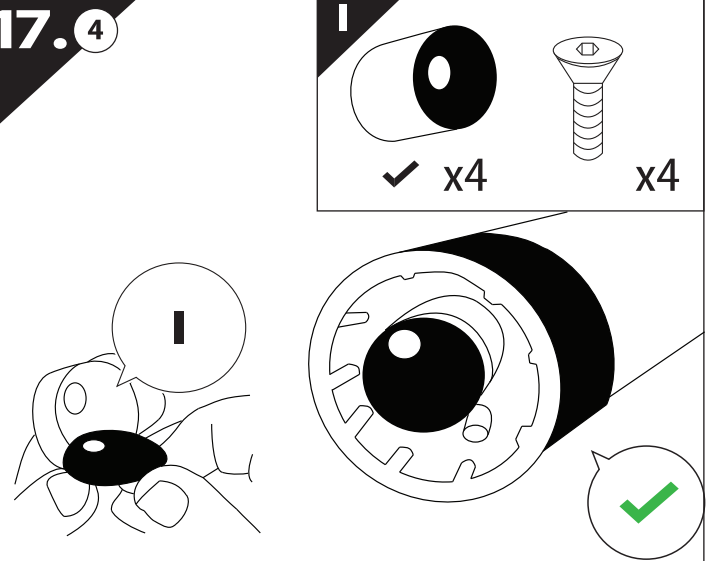
17.2



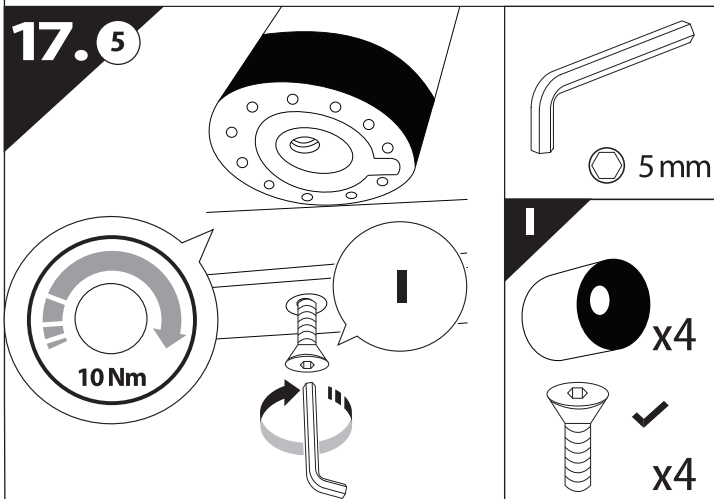
17.3



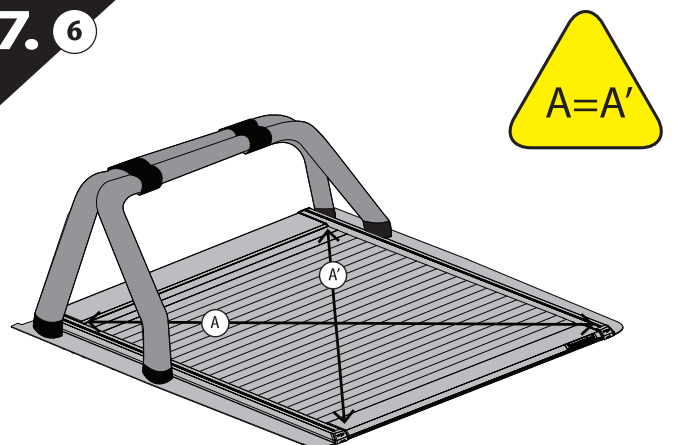
17.4



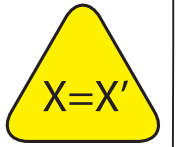
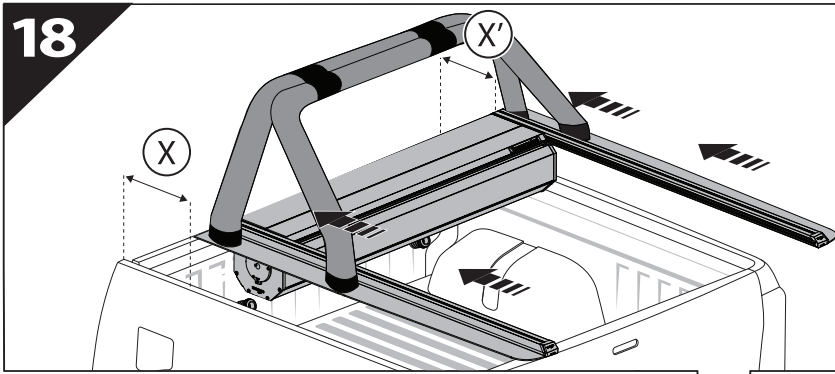
17.5



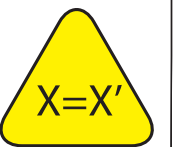
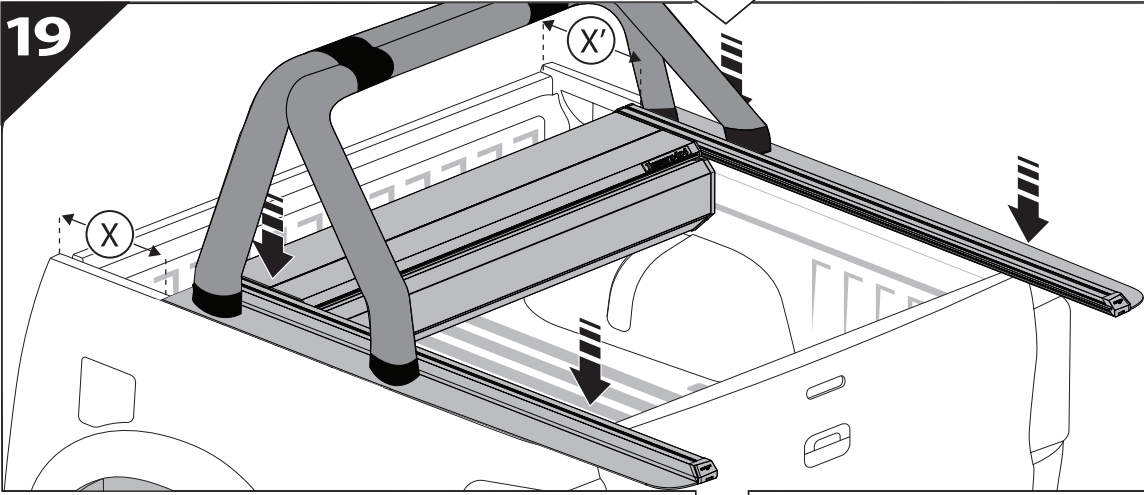
17.6



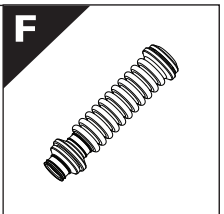
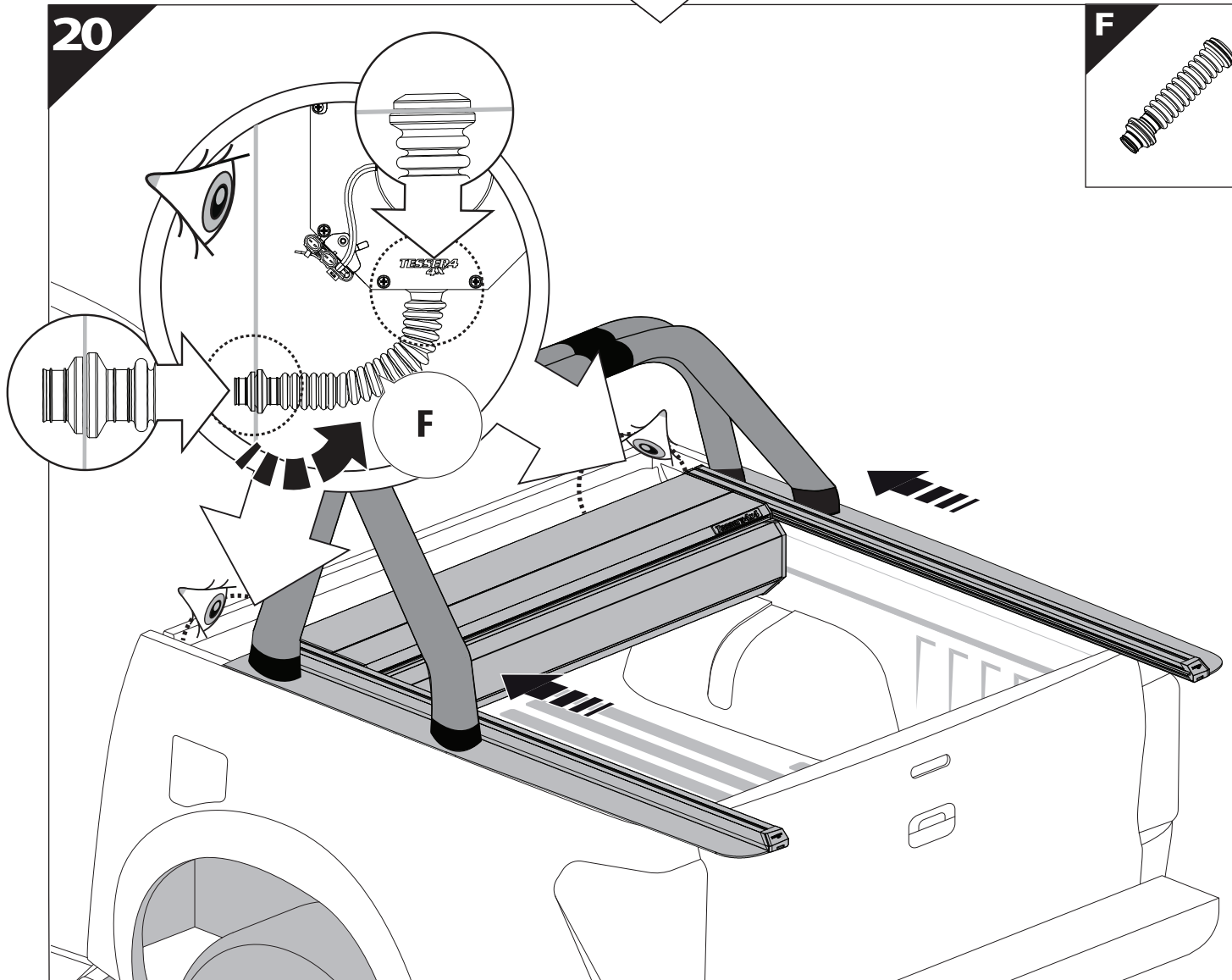
18

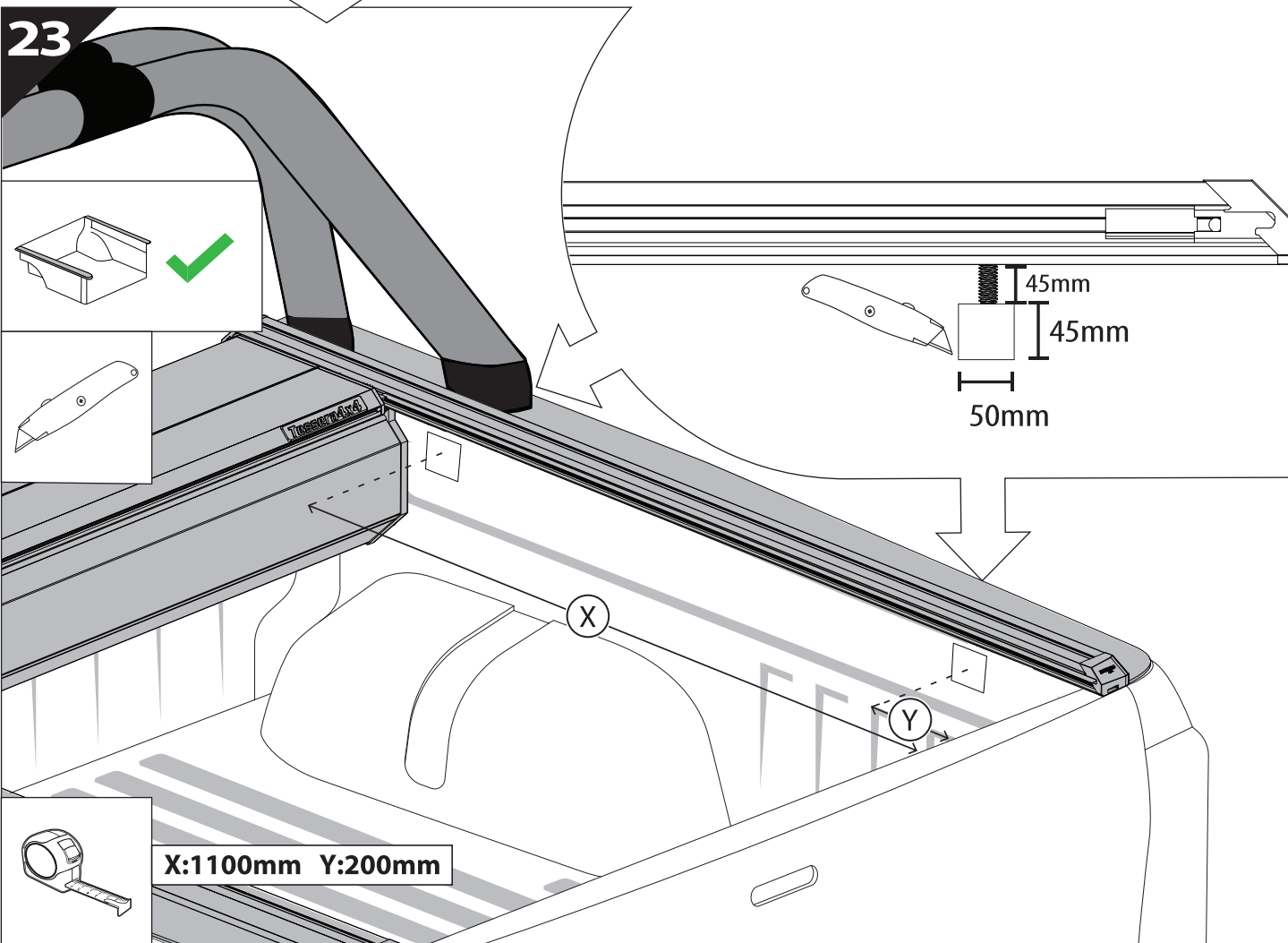
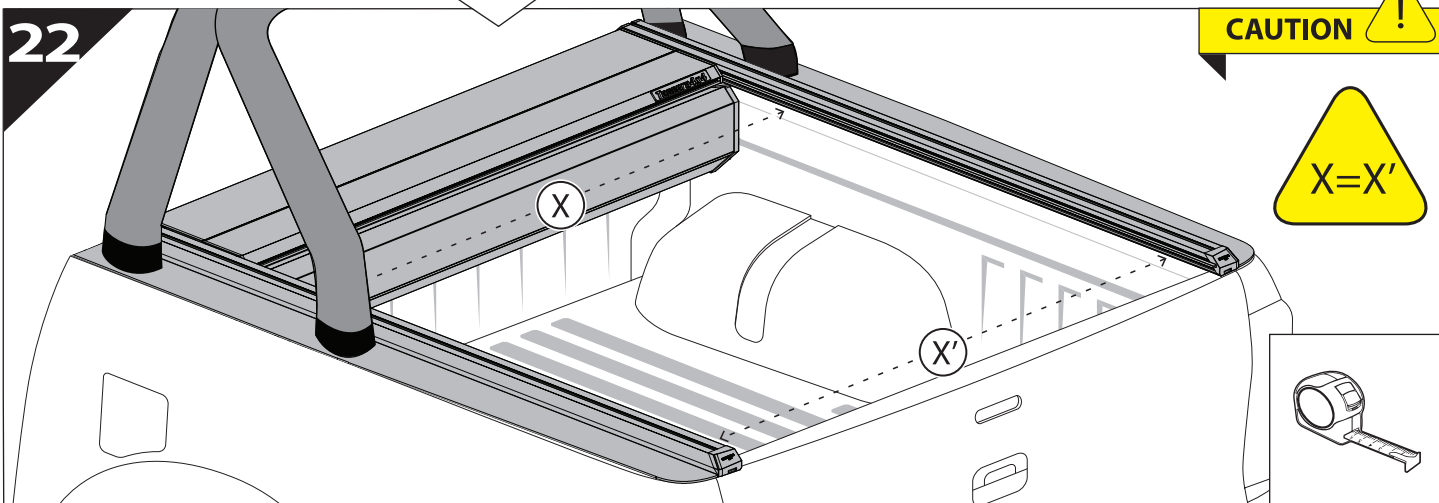
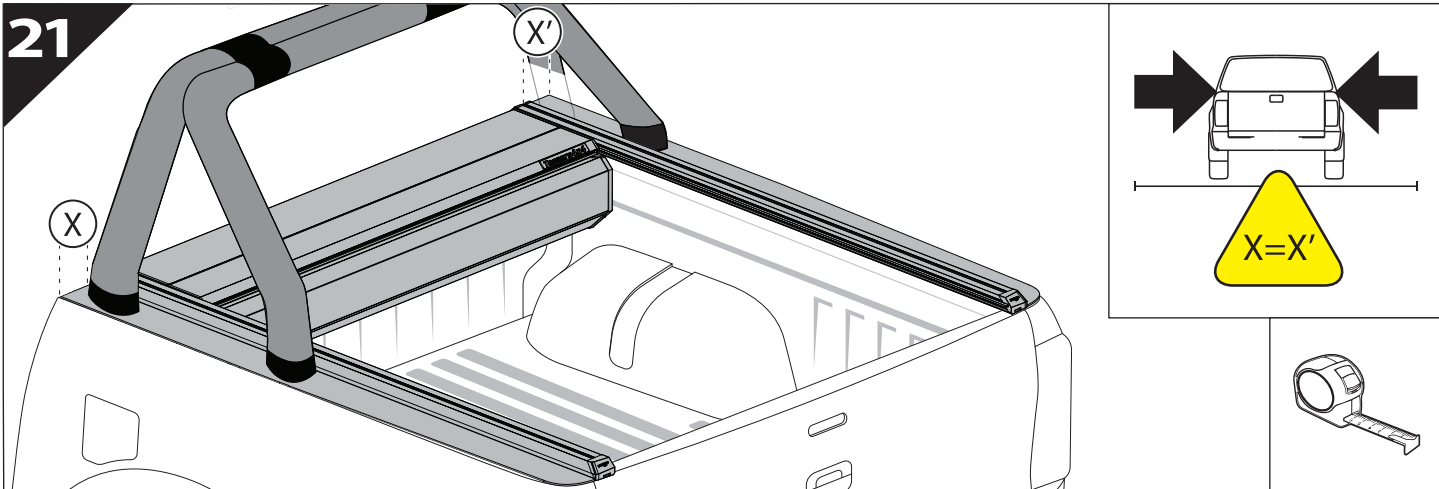


19

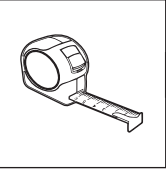
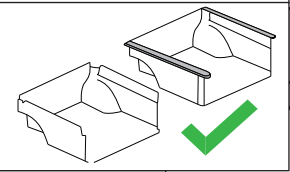
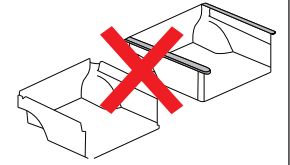
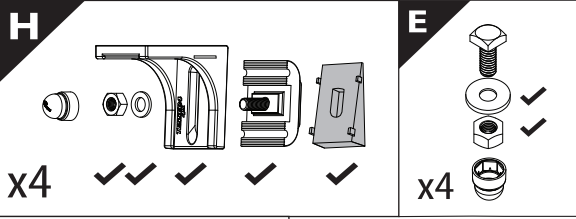


20

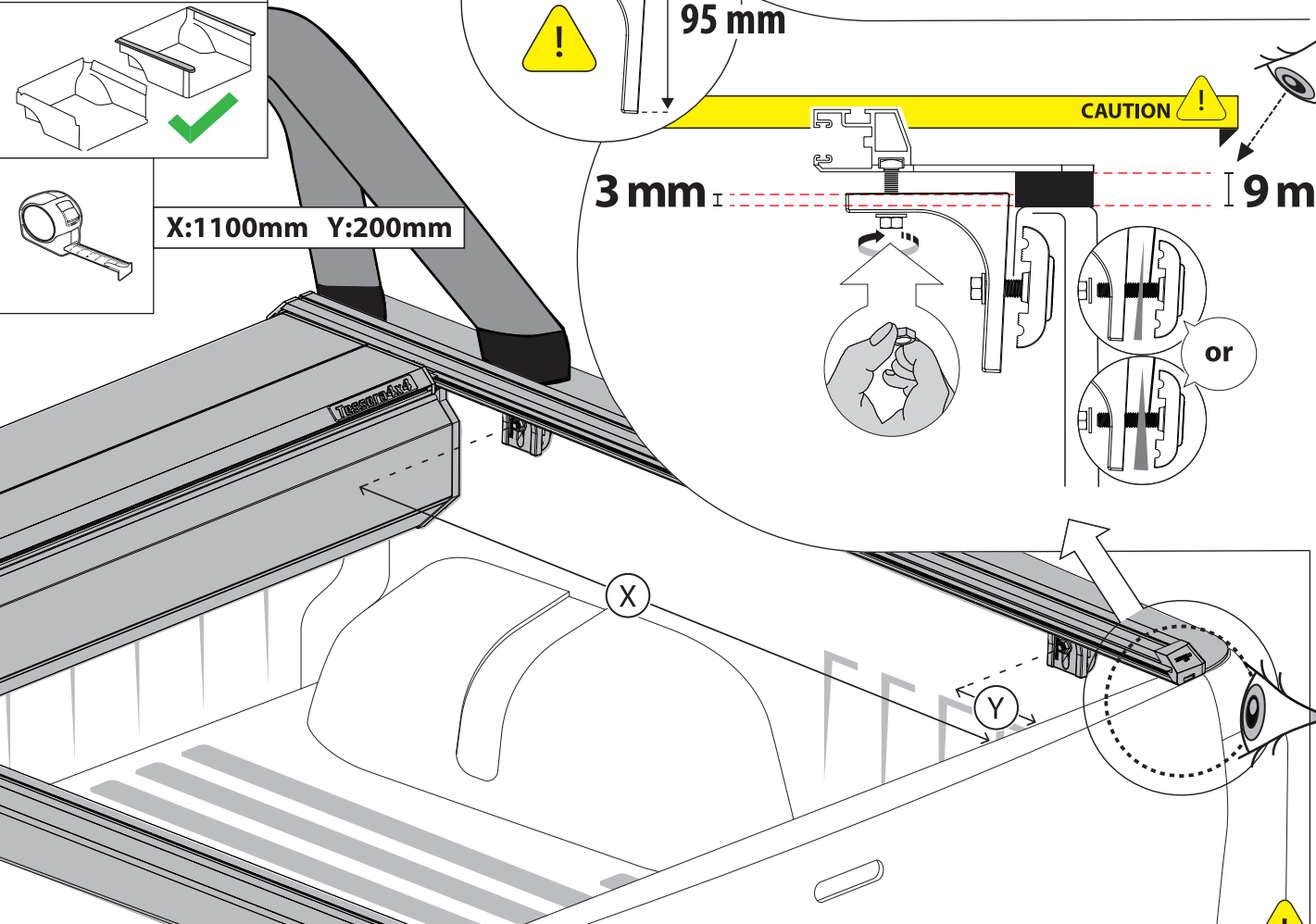




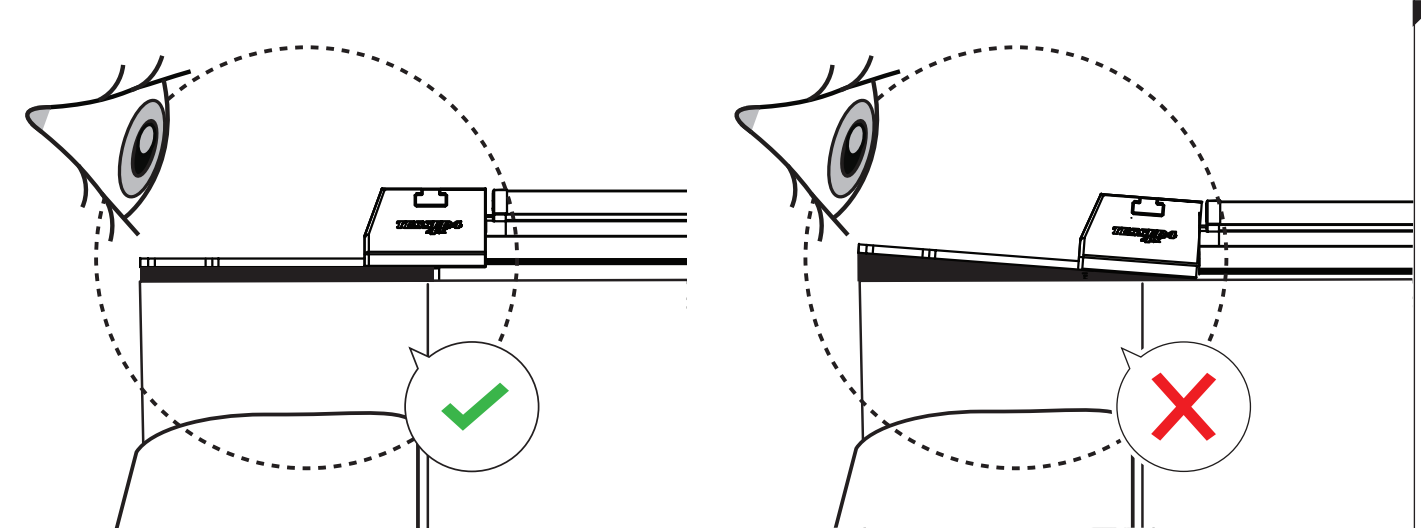
24

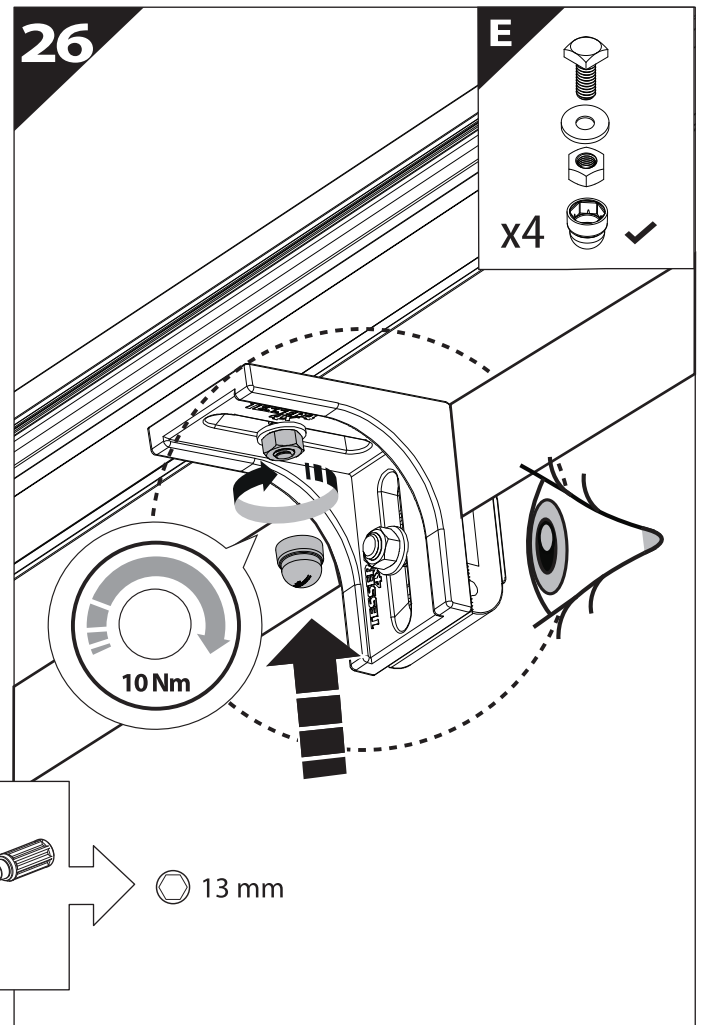
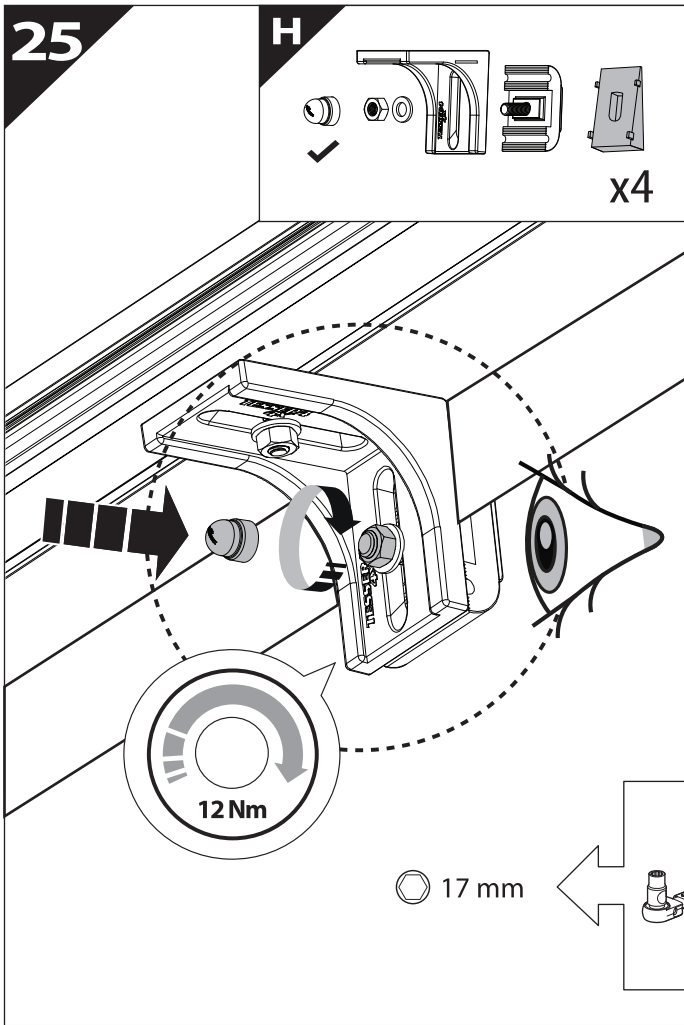


X:1100mm Y:200mm

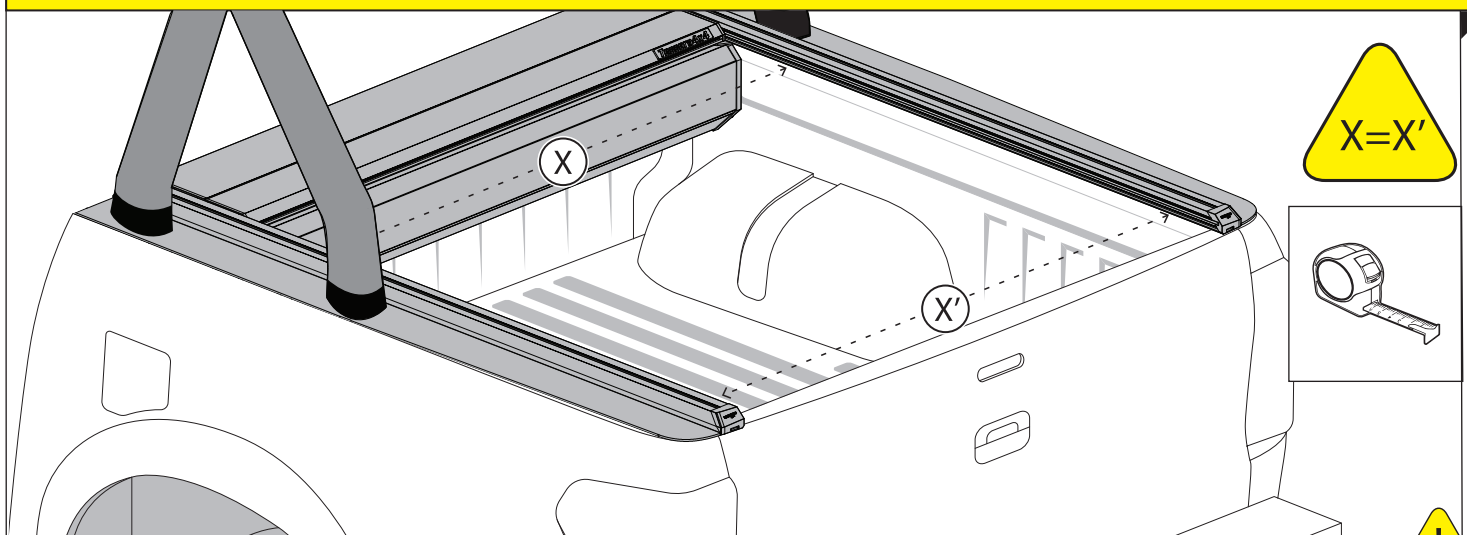


CAUTION !

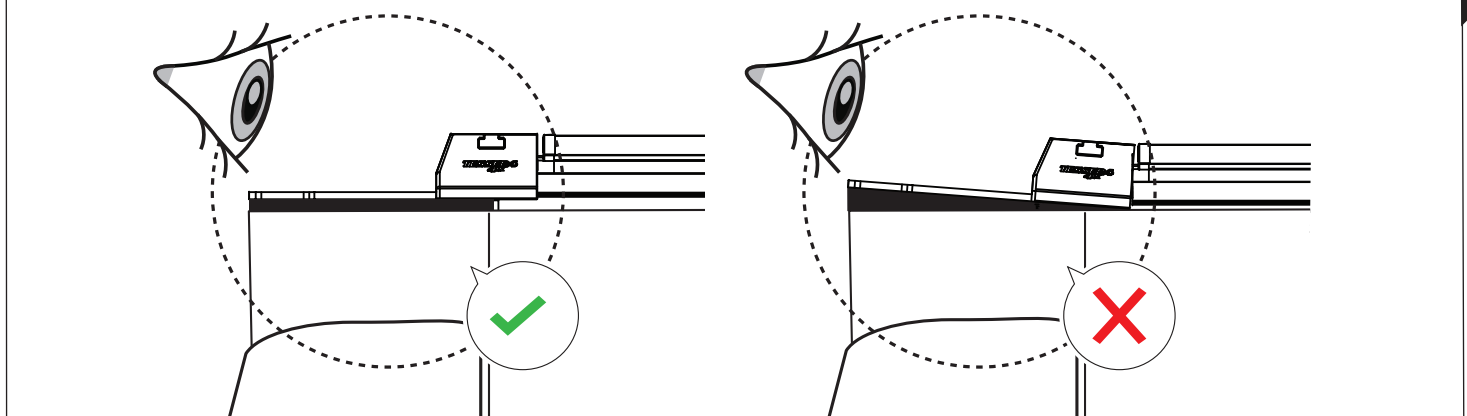




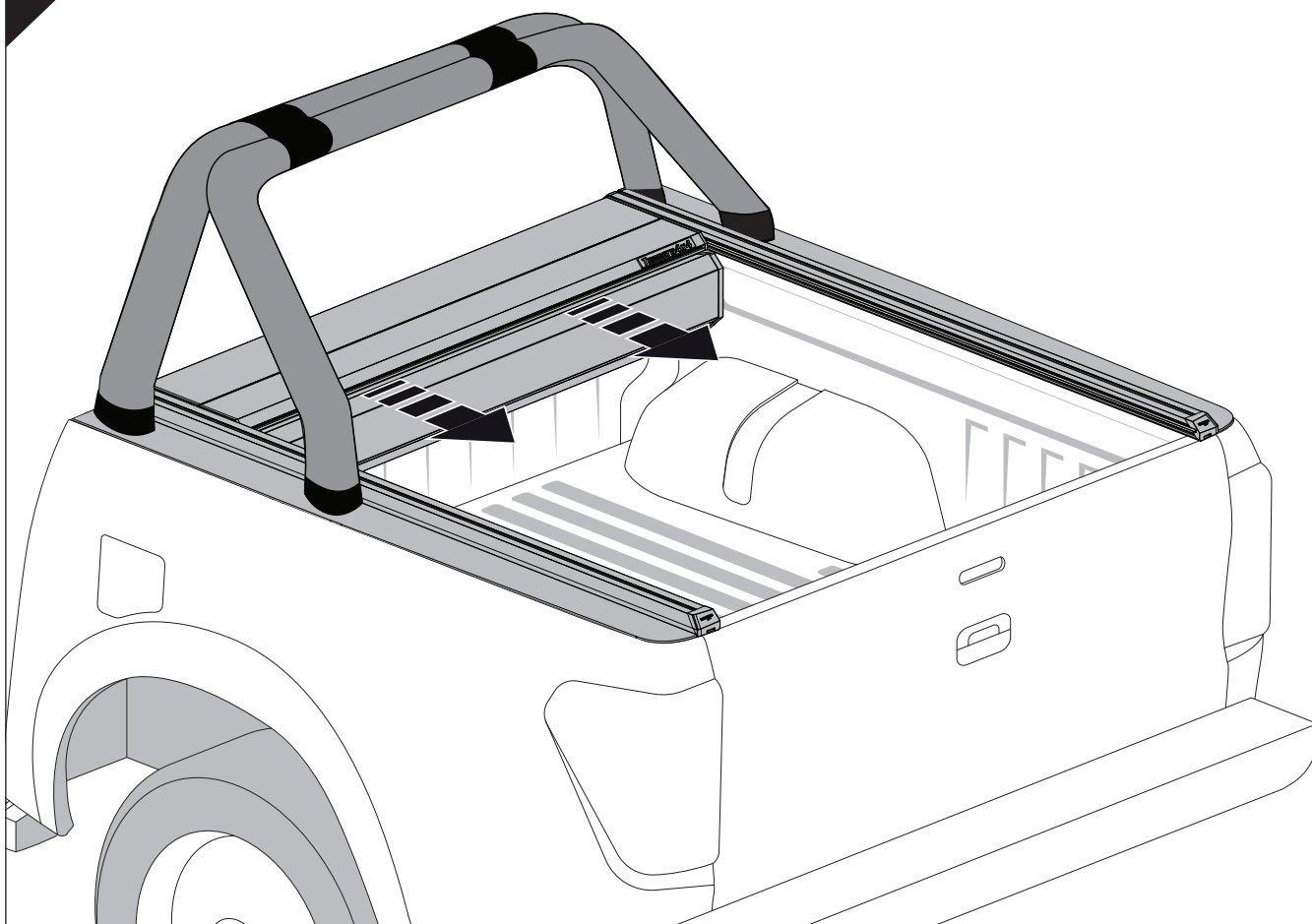
**CAUTION** !



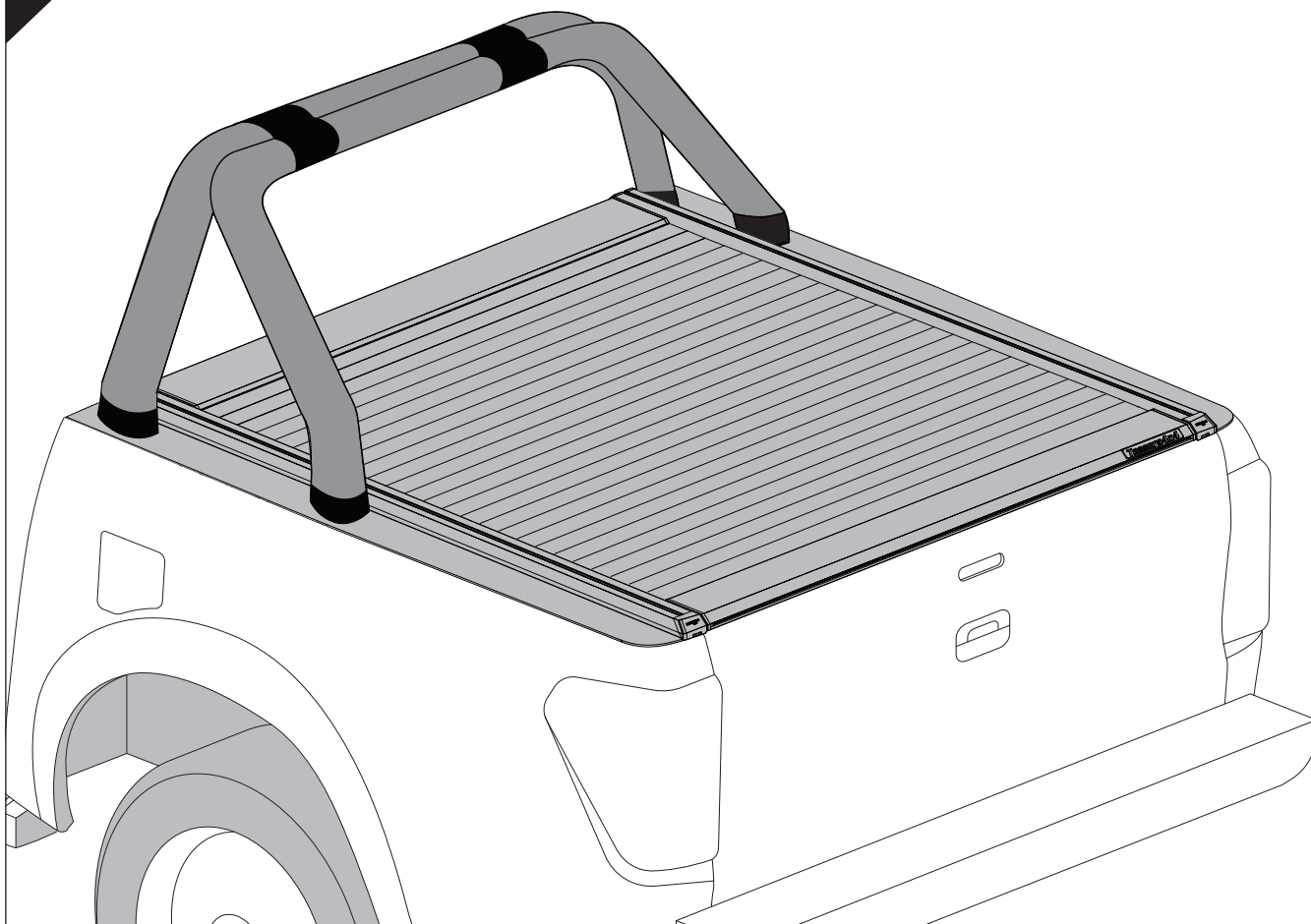
**CAUTION** !



27



28







**GR:** Οδηγίες Εγκατάστασης  
**GB:** Installation manual  
**SF:** Asennusohje  
**F:** Notice de montage  
**PL:** Instrukcja montażu  
**NL:** Installatie-instructies  
**TR:** Montaj Talimatı  
**S:** Monteringsanvisning  
**E:** Instrucciones de montaje

**H:** Szerelési utasítás  
**P:** Instruções de instalação  
**RUS:** Инструкция по установке  
**N:** Monteringsveiledning  
**D:** Einbauanleitung  
**CZ:** Návod k instalaci  
**I:** Istruzioni de montaggio  
**DK:** Monteringsvejledning  
**RO:** Instructiuni de instalare

Customer Service:

+30 (210) 5541161, +30 (210) 5541154 (08:00 - 16:00 EET)

Support department:

[info@gianso.gr](mailto:info@gianso.gr)

Website:

[www.tessera4x4.com](http://www.tessera4x4.com)

Address:

19.5 km of National road Athens-Korinthos (Elefsina) Greece, P.C: 19200