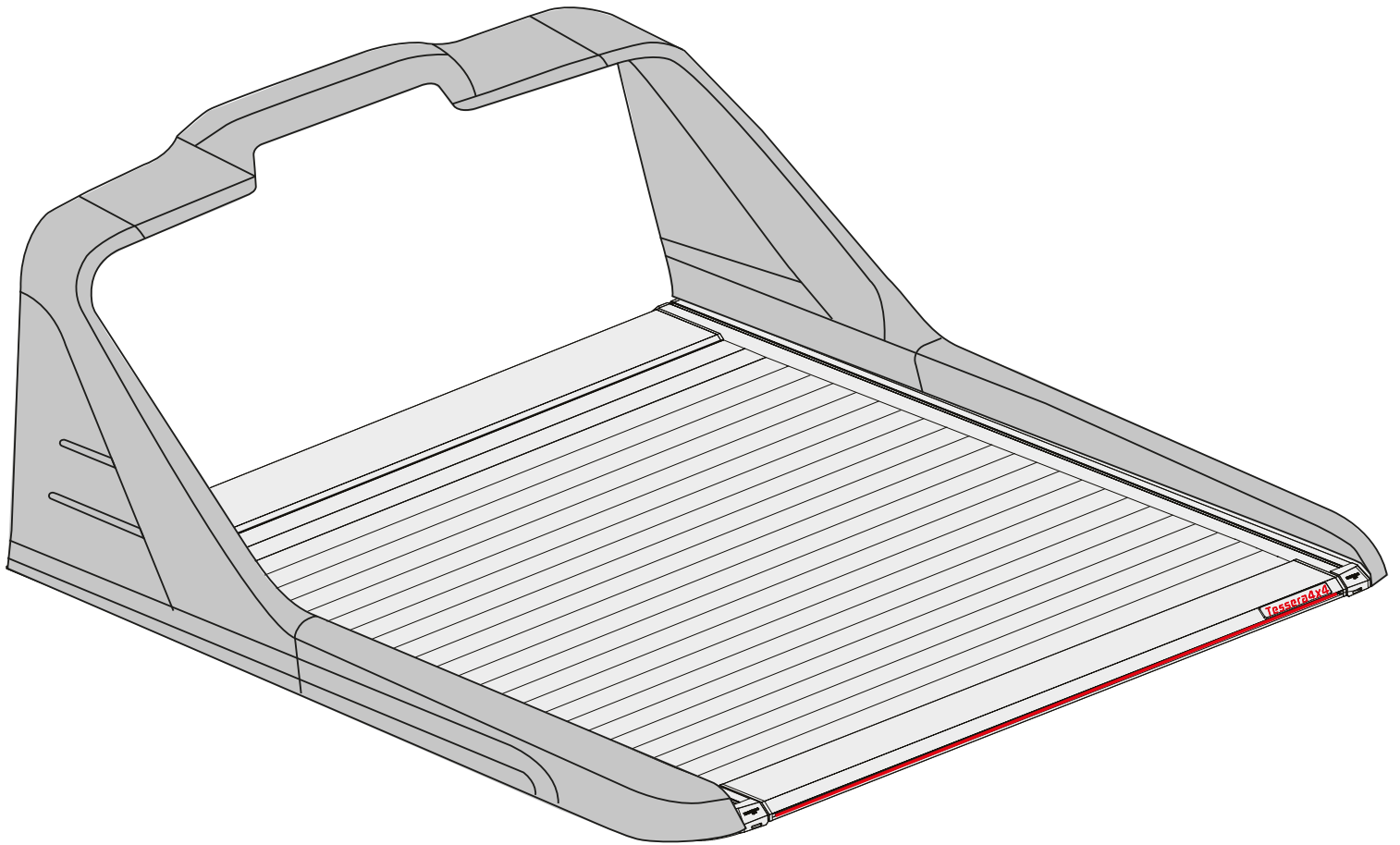
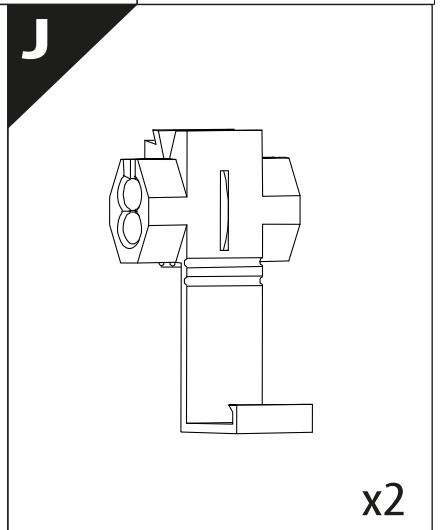
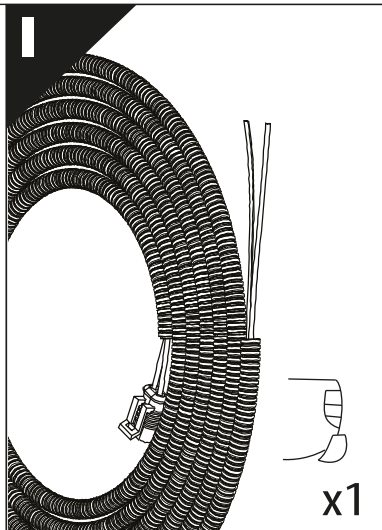
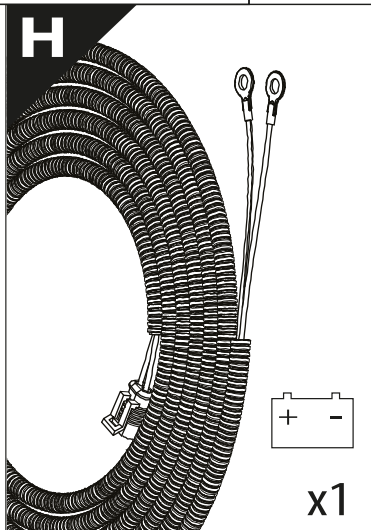
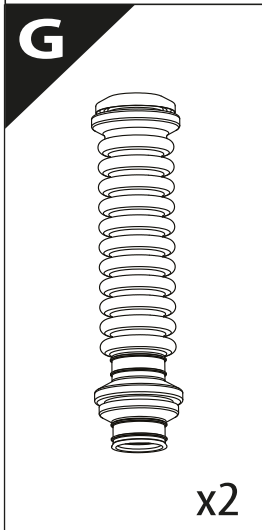
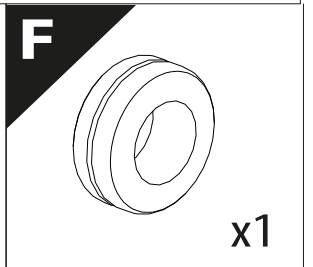
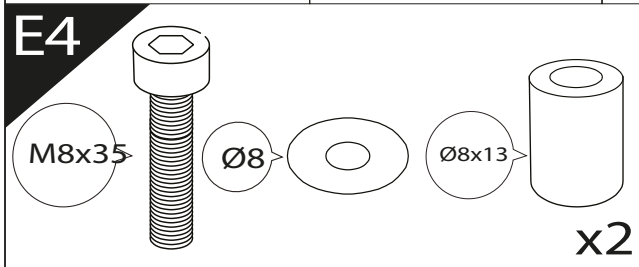
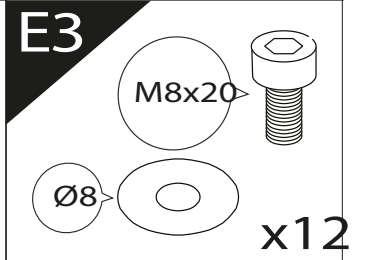
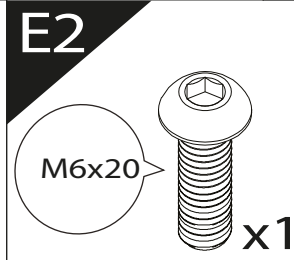
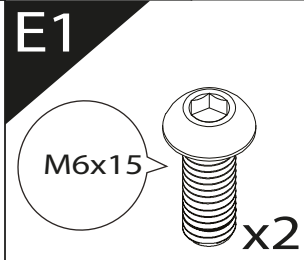
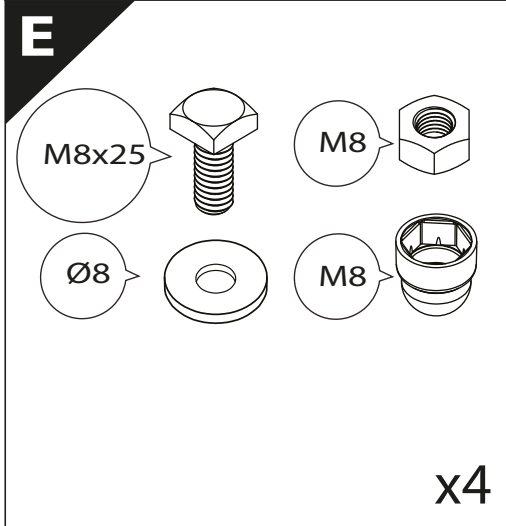
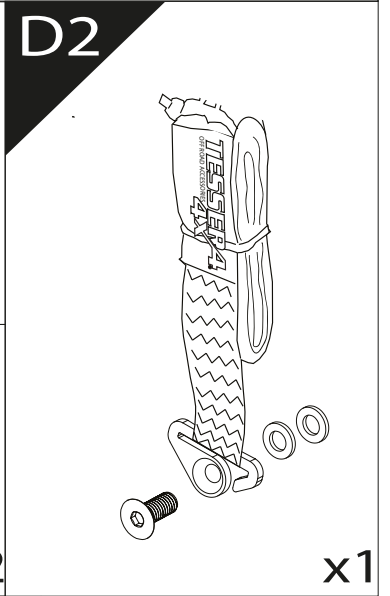
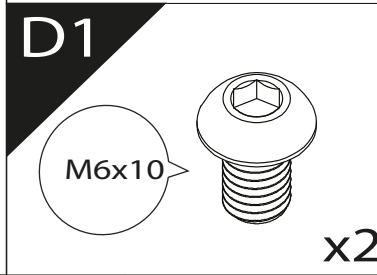
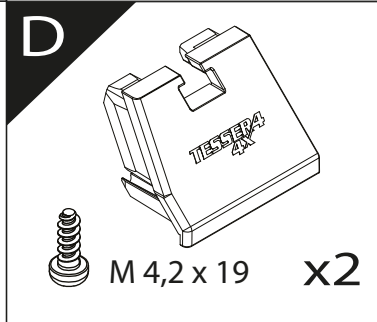
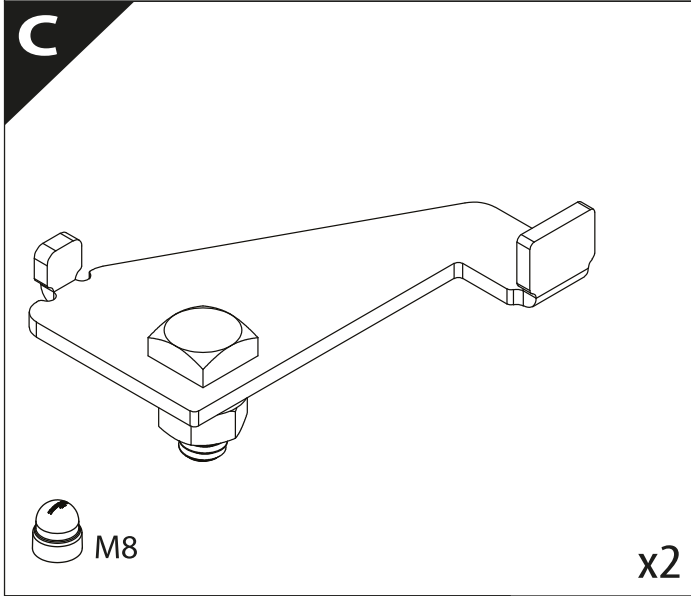
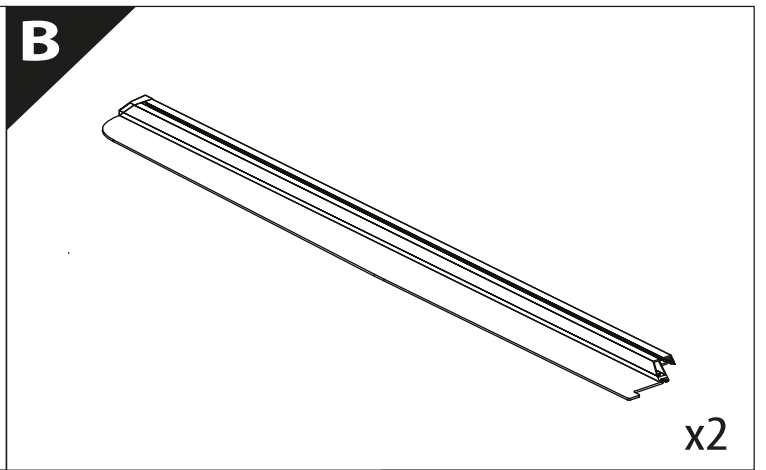
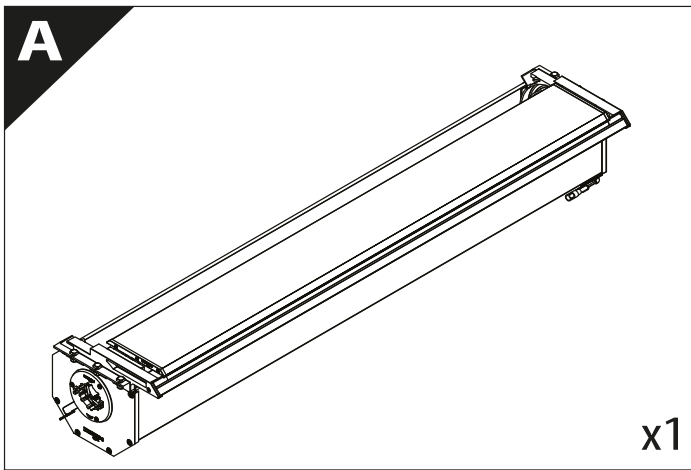


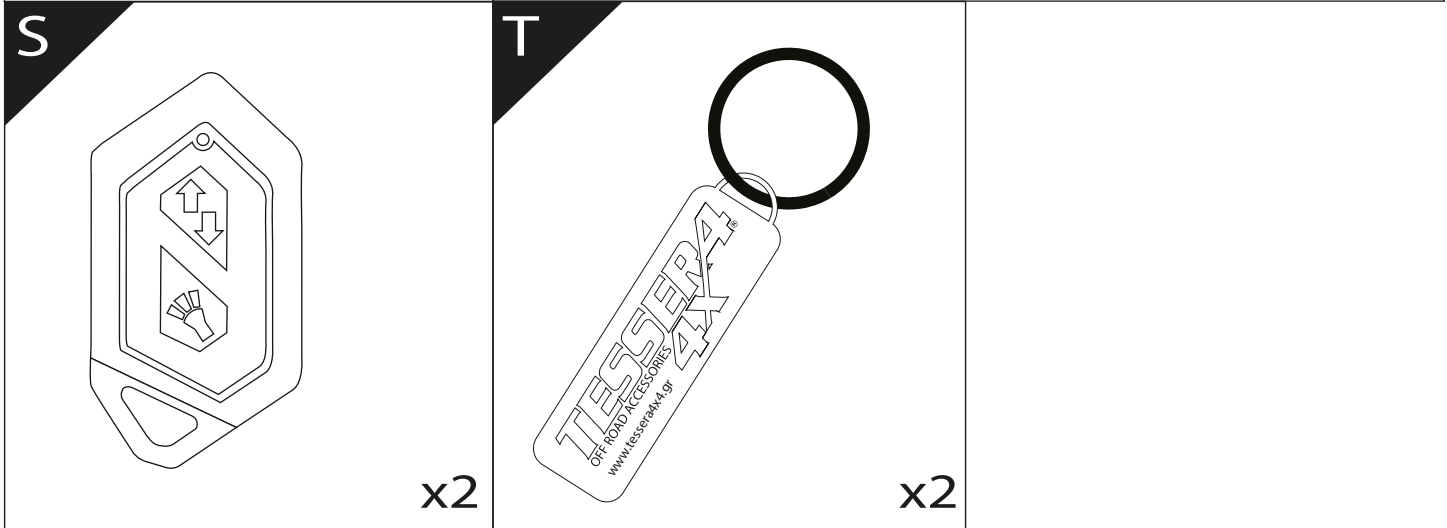
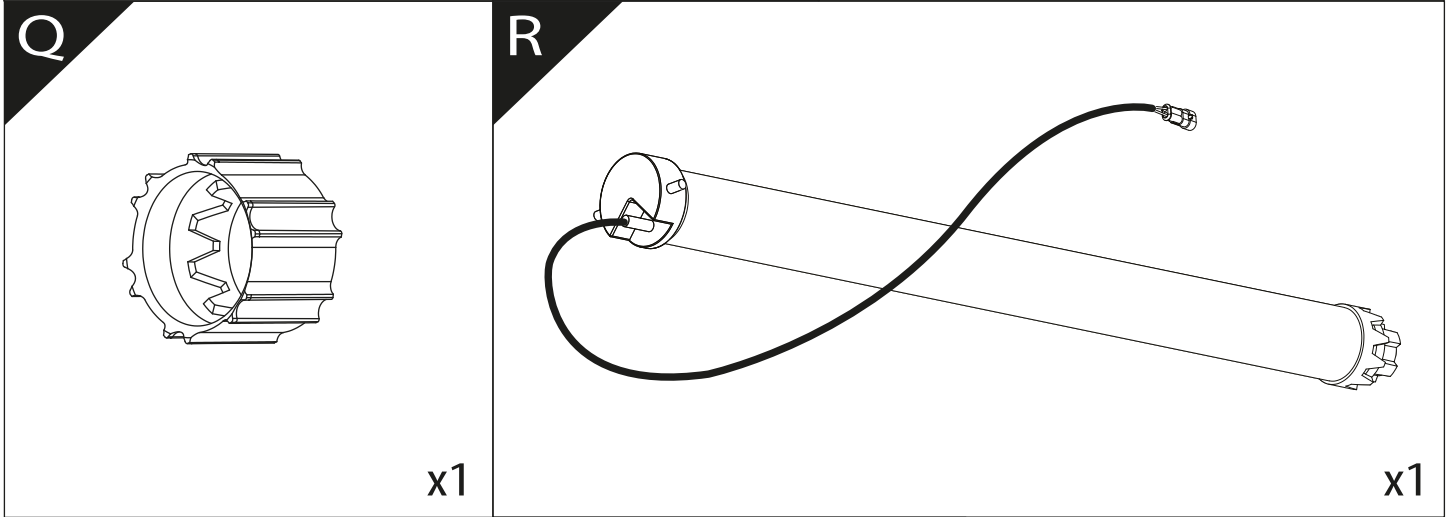
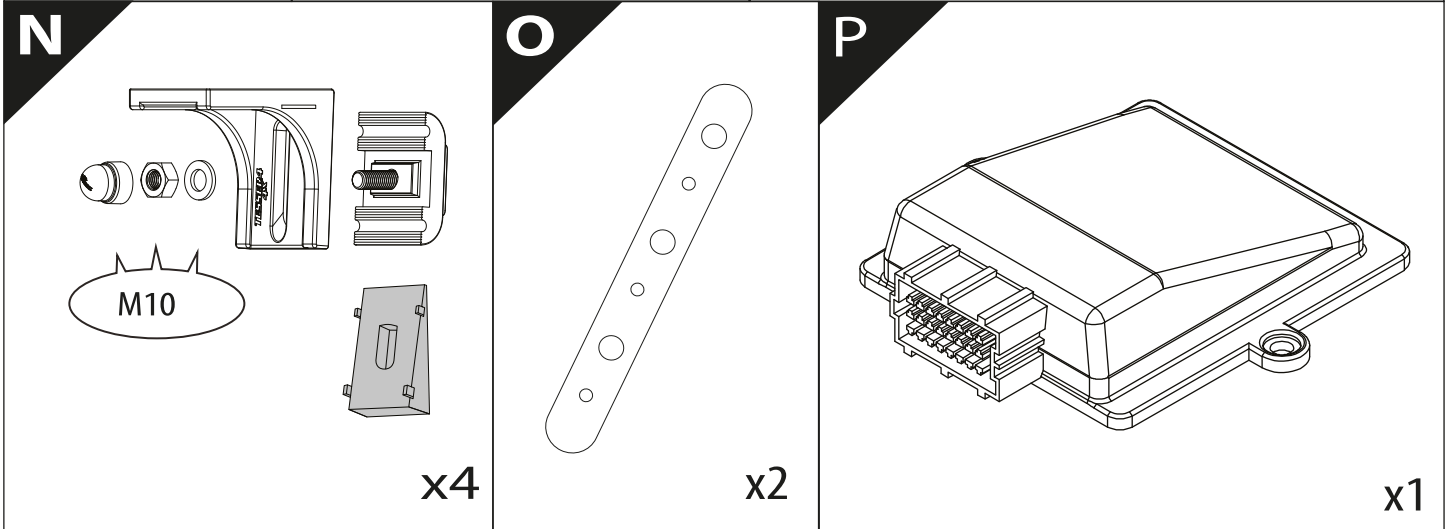
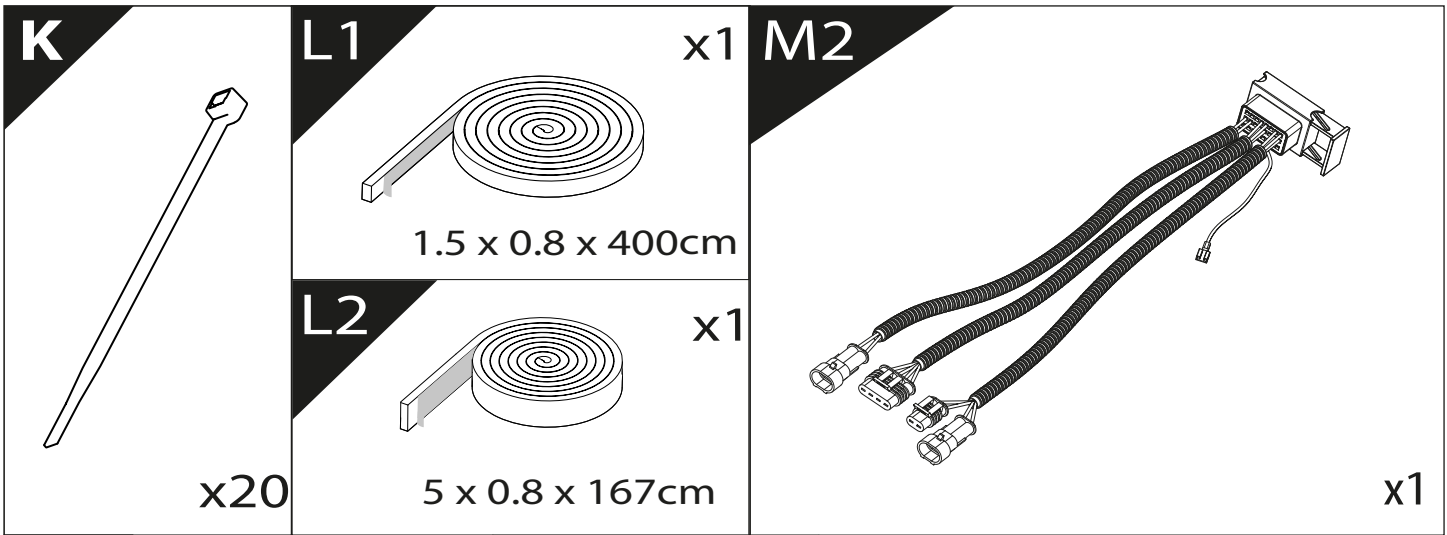
Tessera Roll+ Basic Version + ⚡ E-KIT

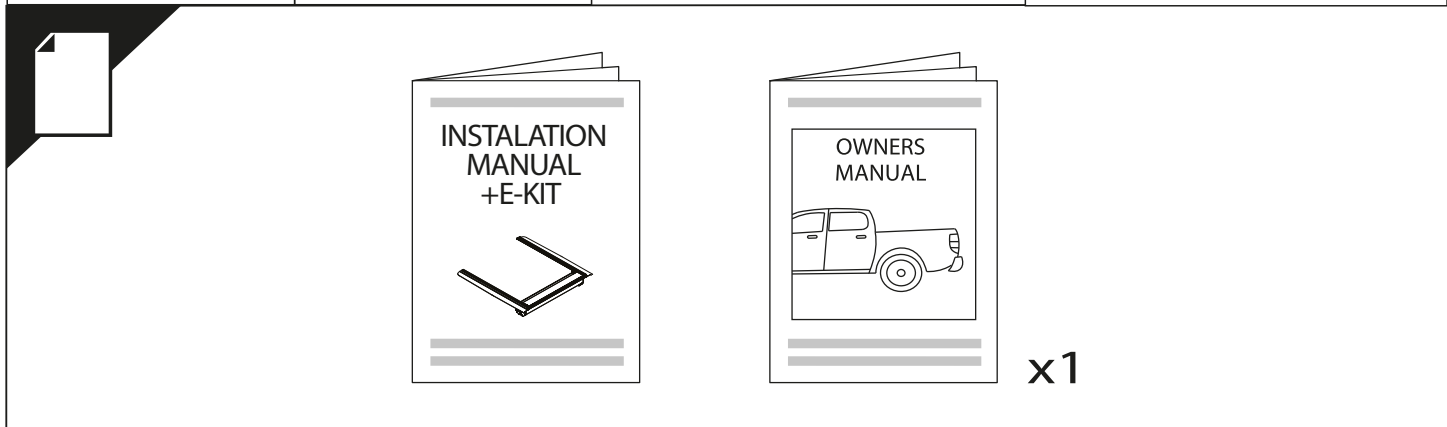
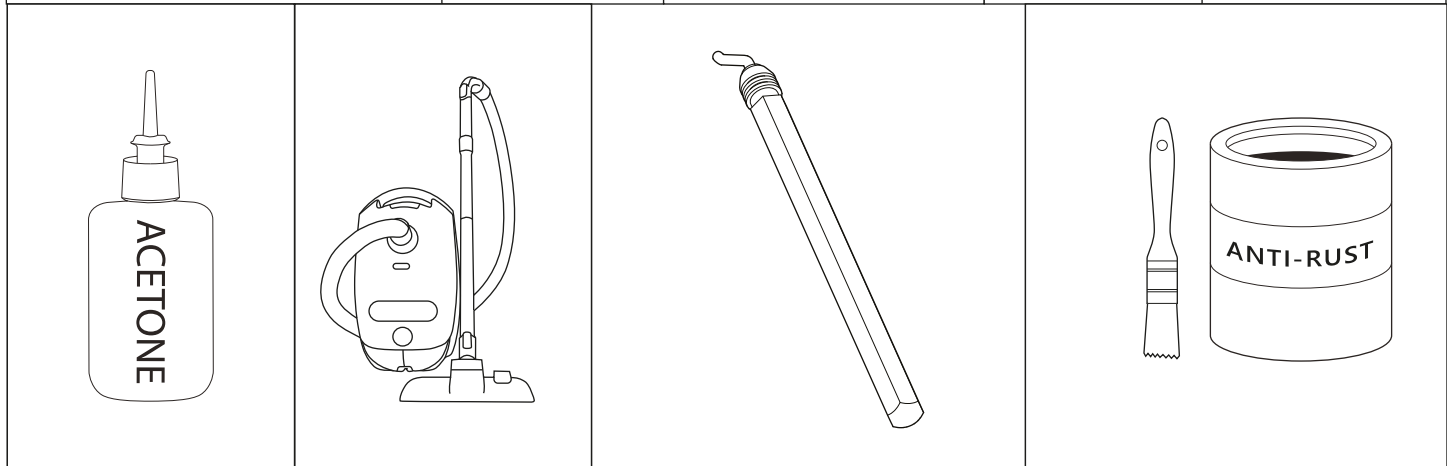
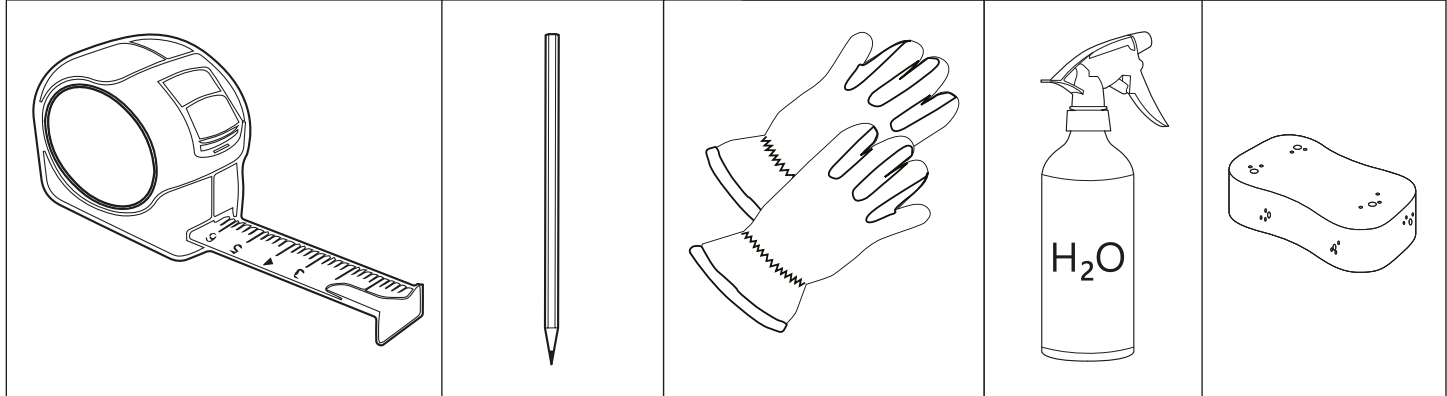
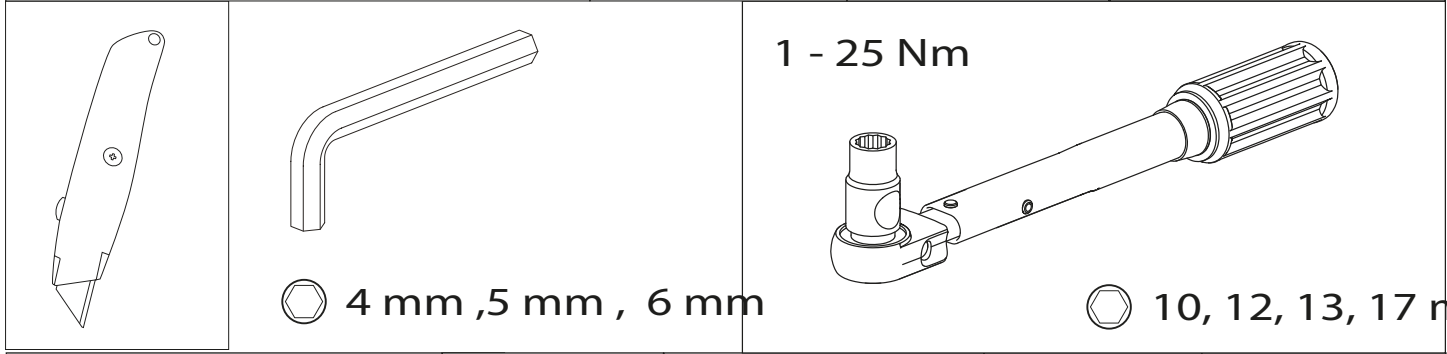
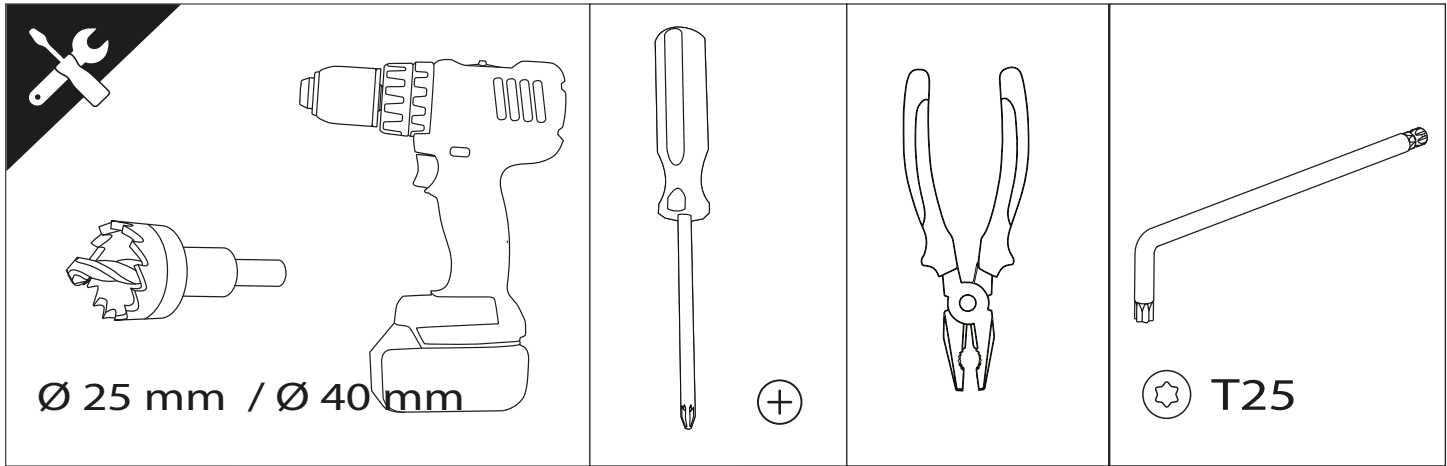


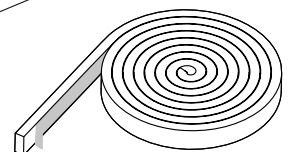
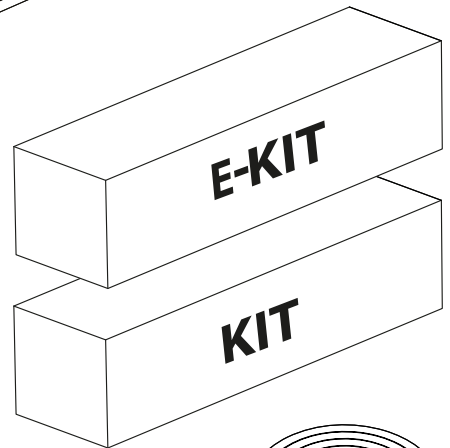
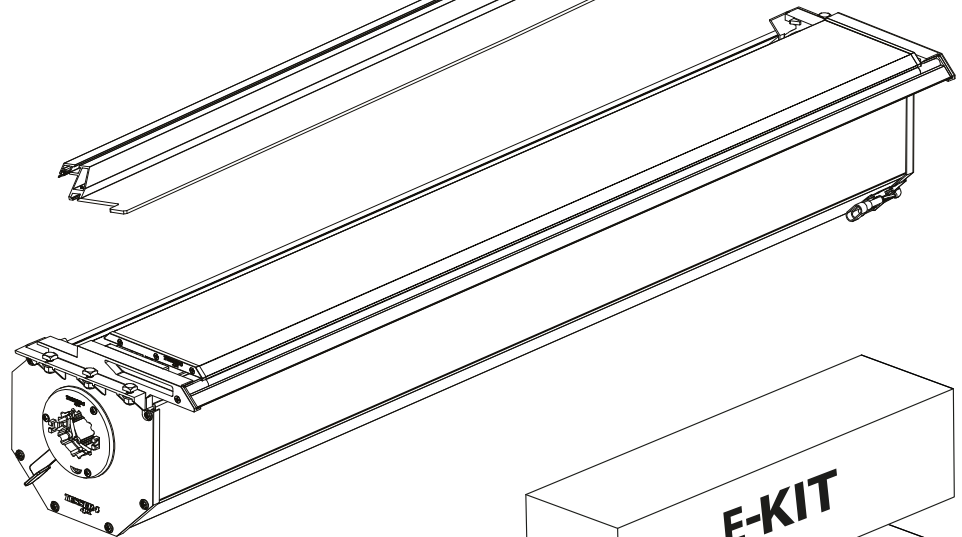
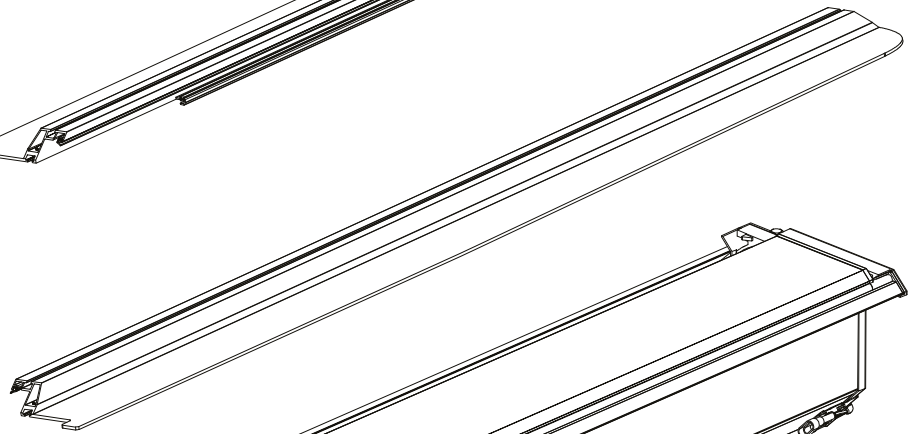
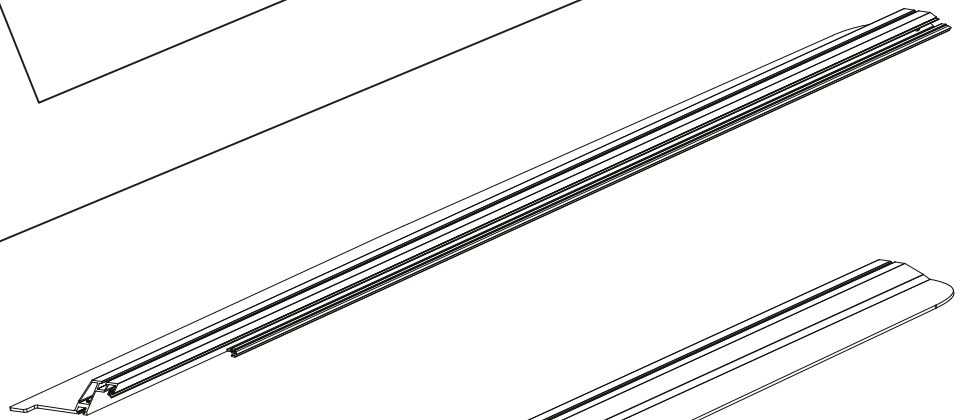
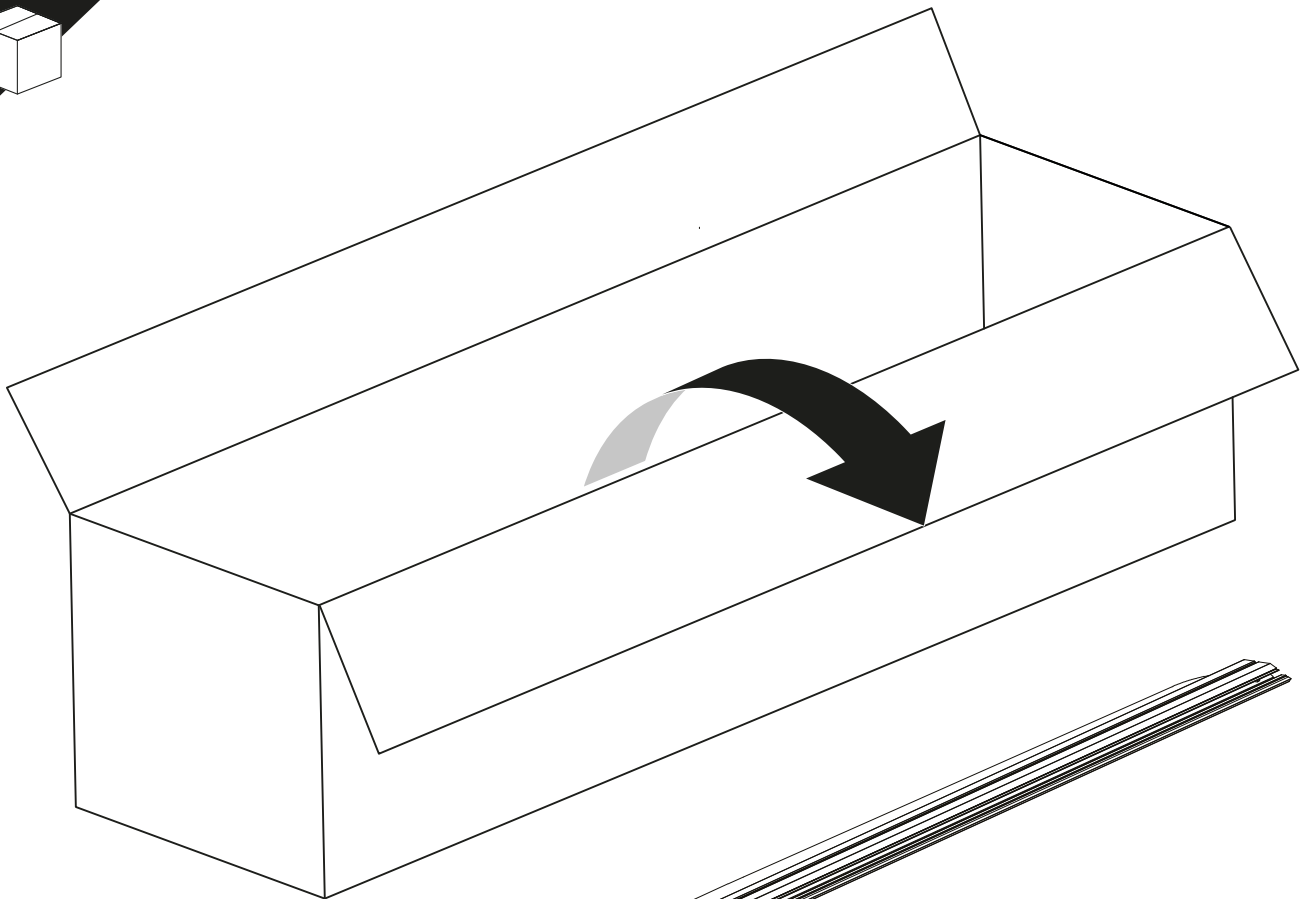
Installation Manual

PART NUMBER(S)	Model Year
TESS 140411 ROLL+E-KIT	ISUZU DMAX 2021+ OEM ROLL BAR
Cab(s)	Installation Time / Weight
Double Cab	40-60 minutes / 53-57 kg







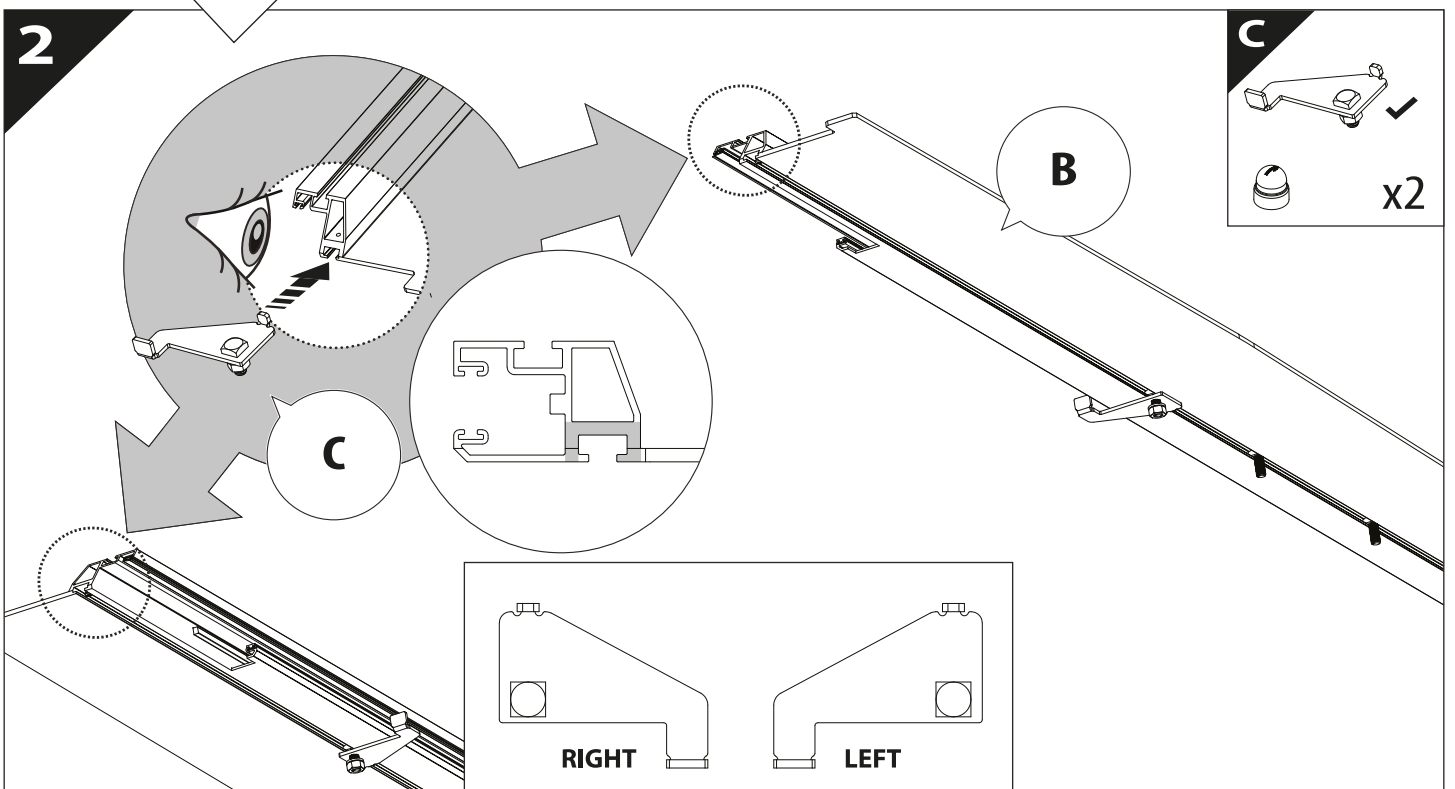
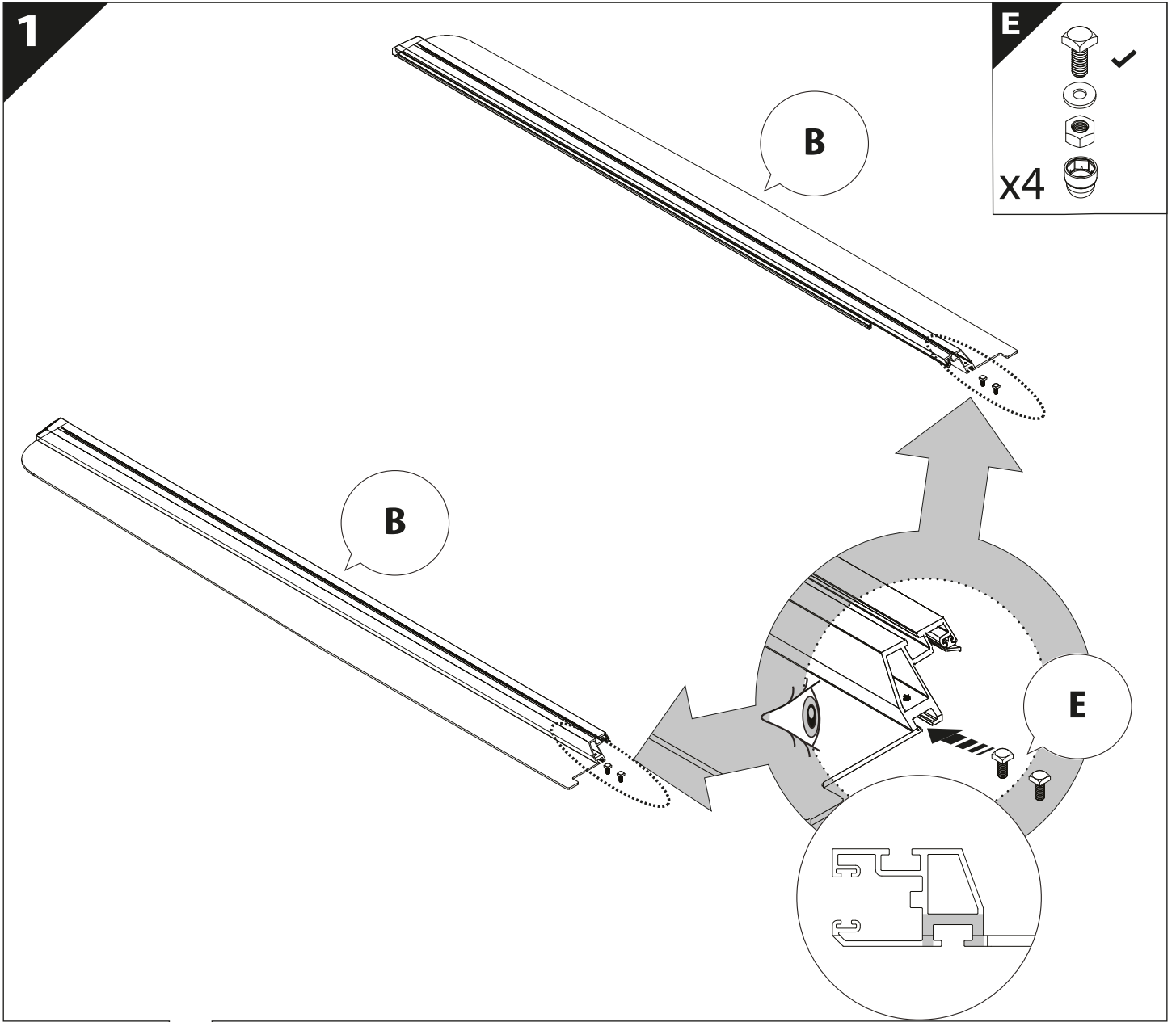


B

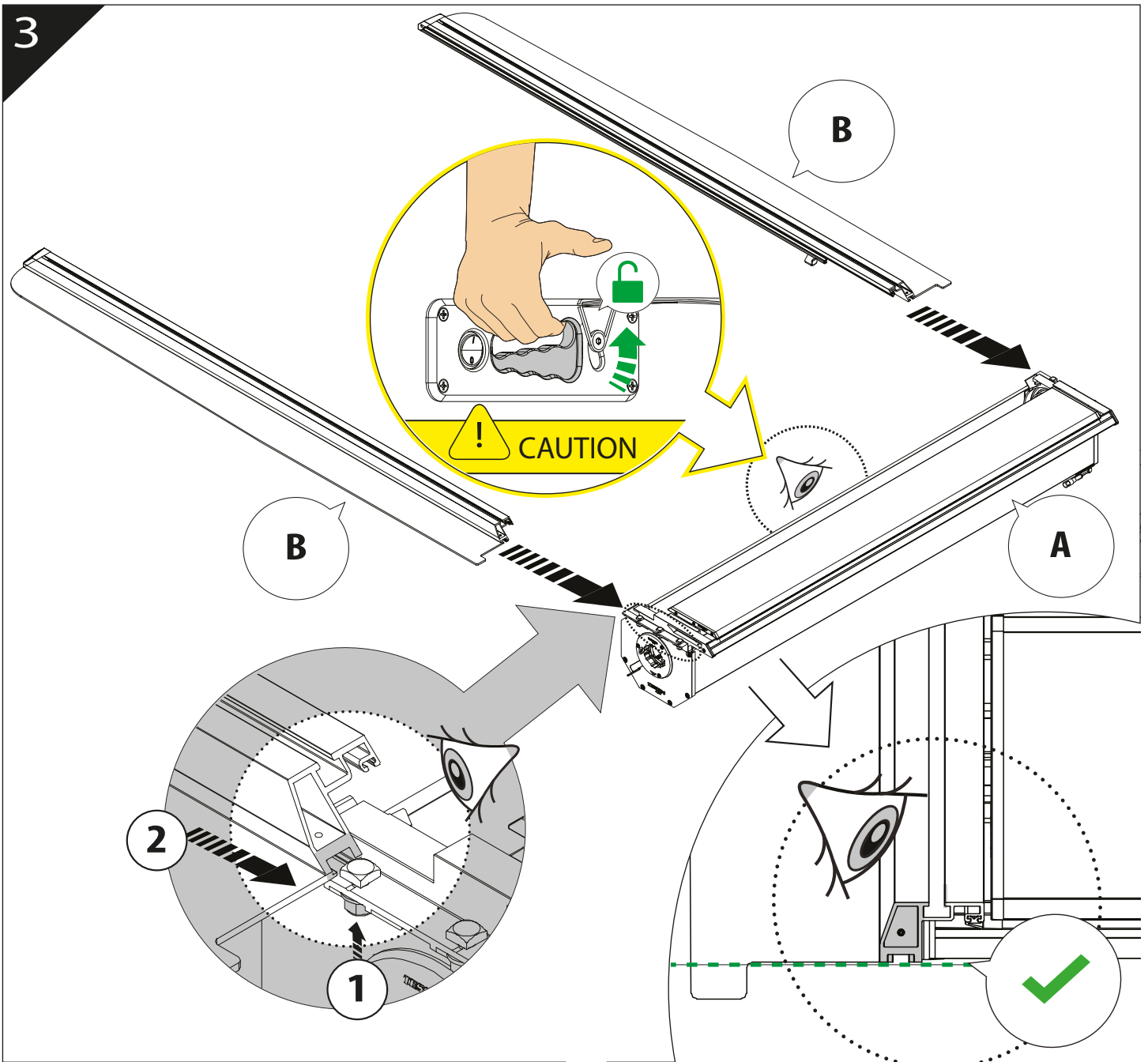
A

KITS

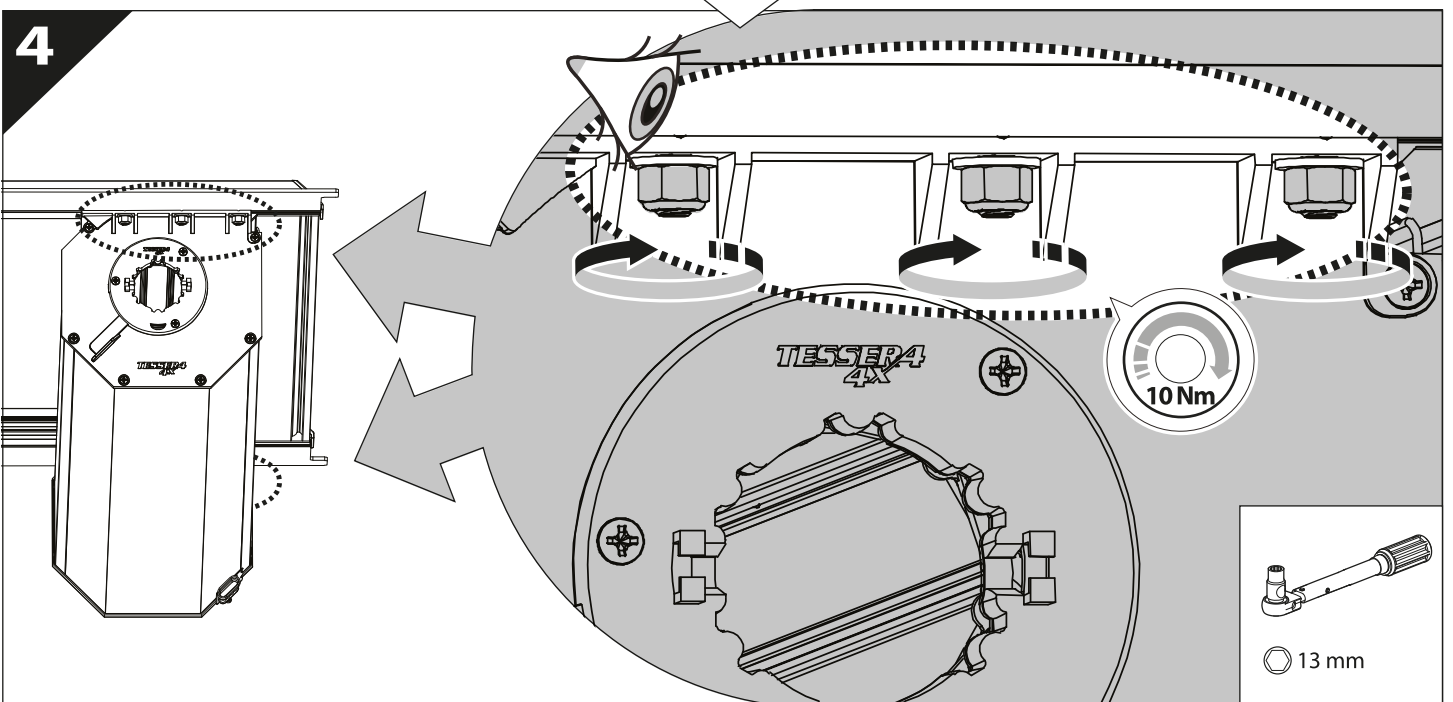
L

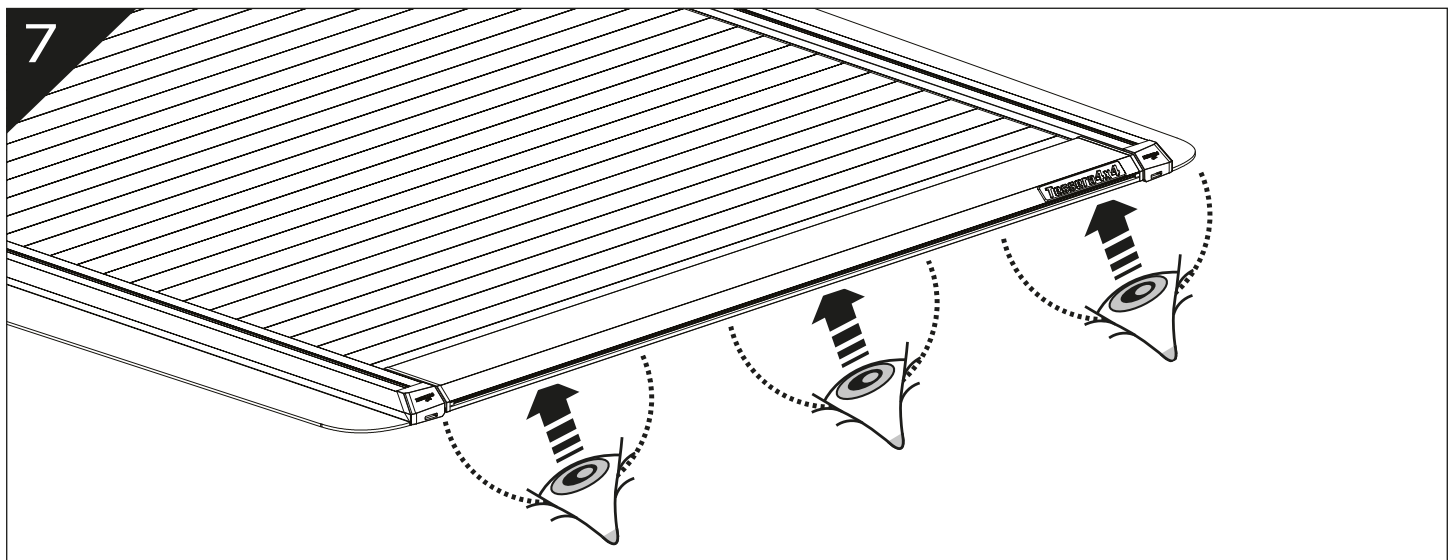
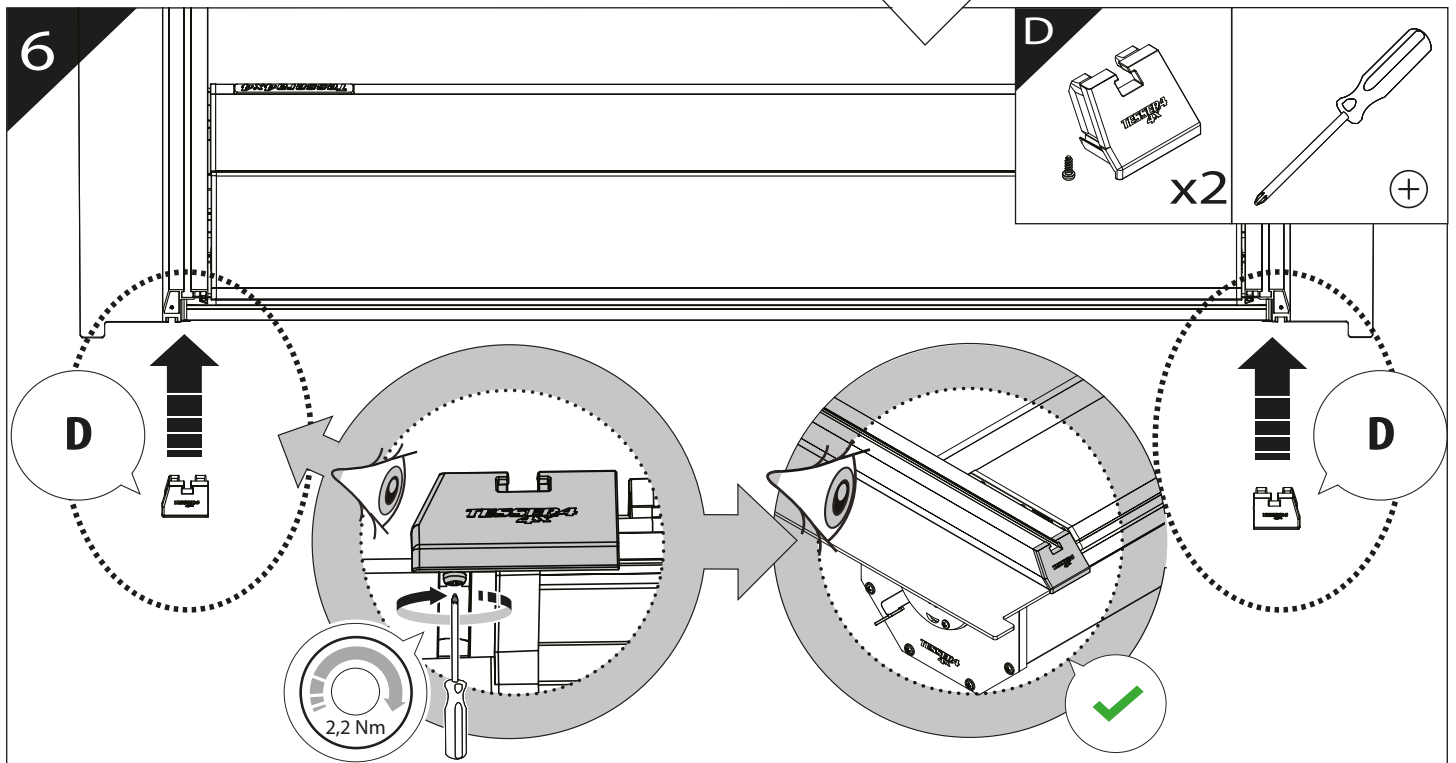
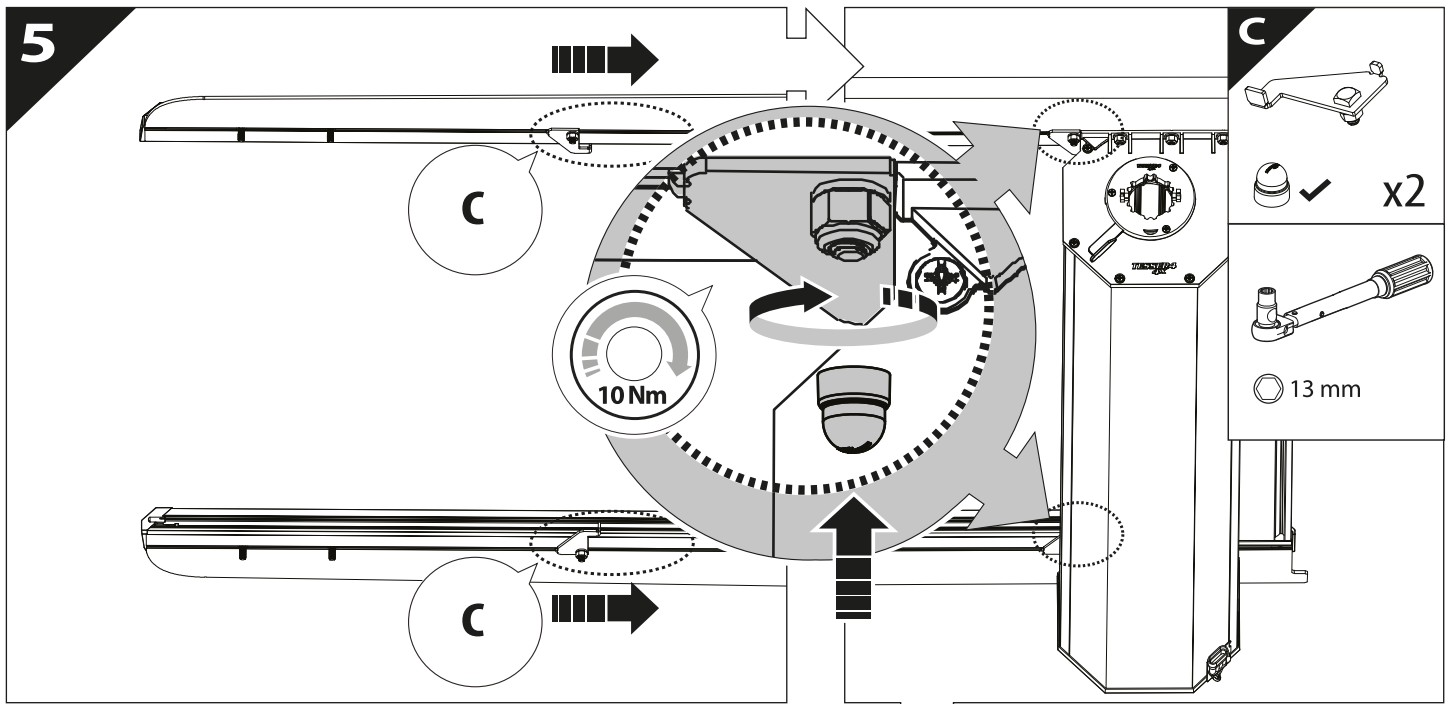


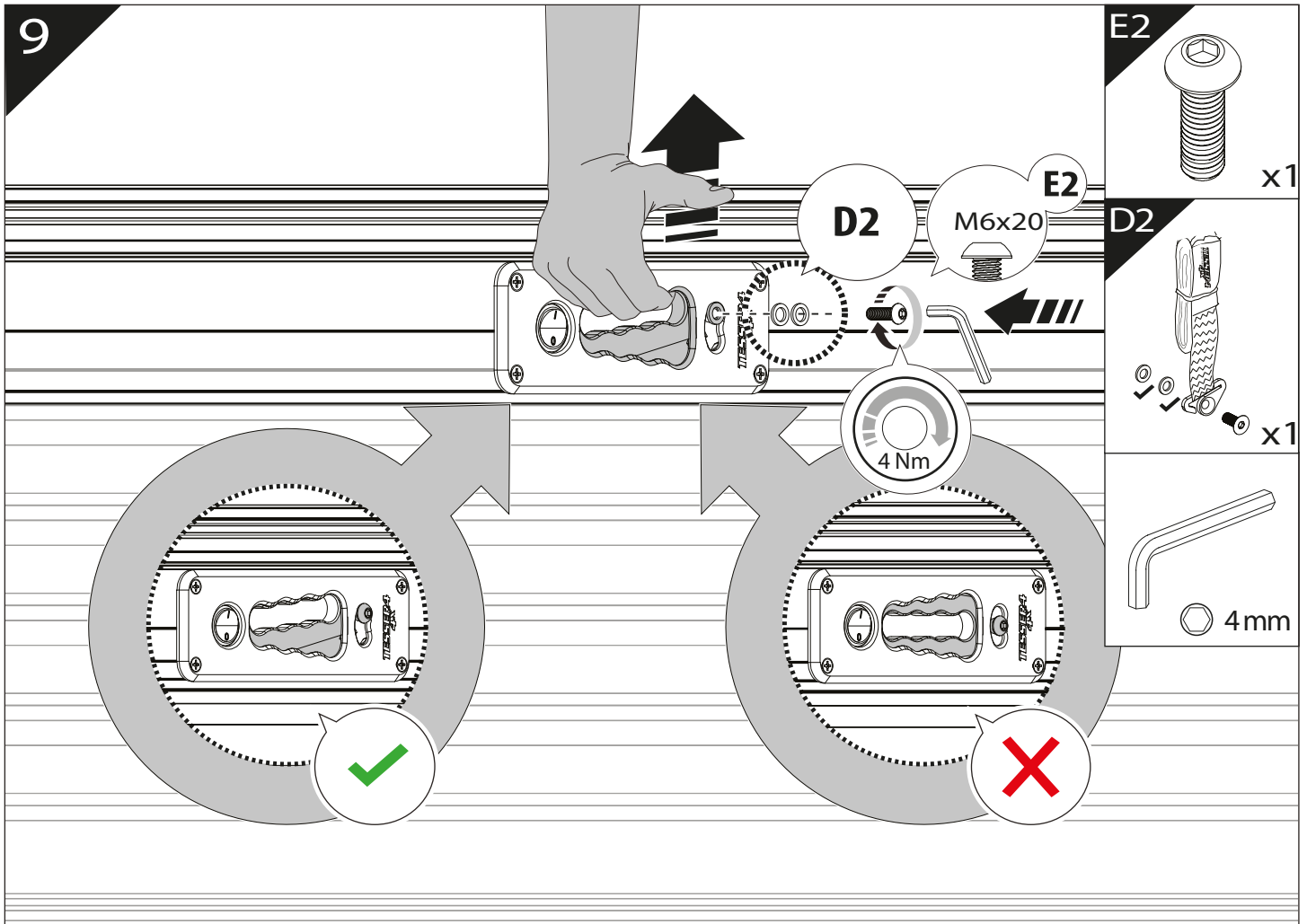
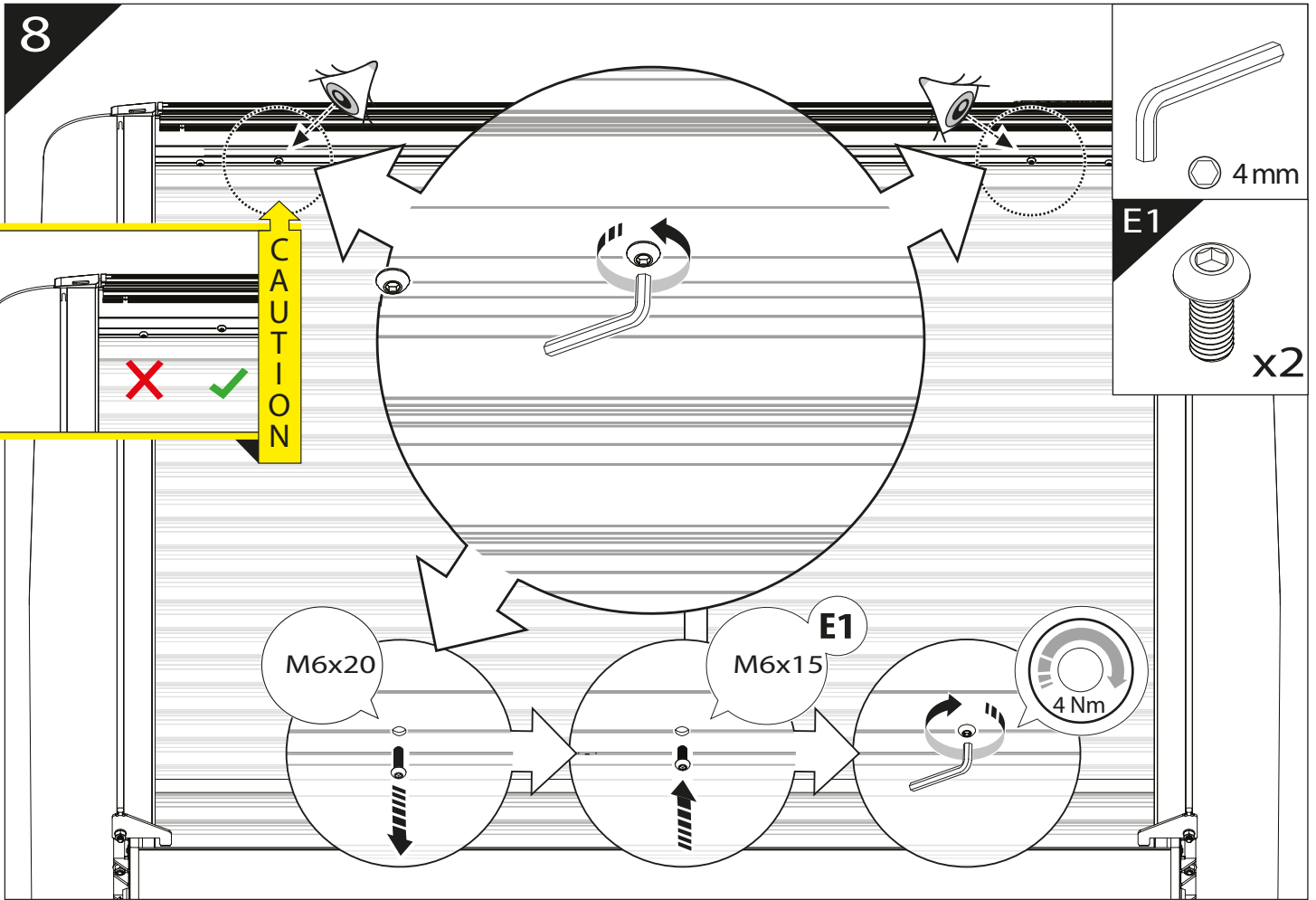
3

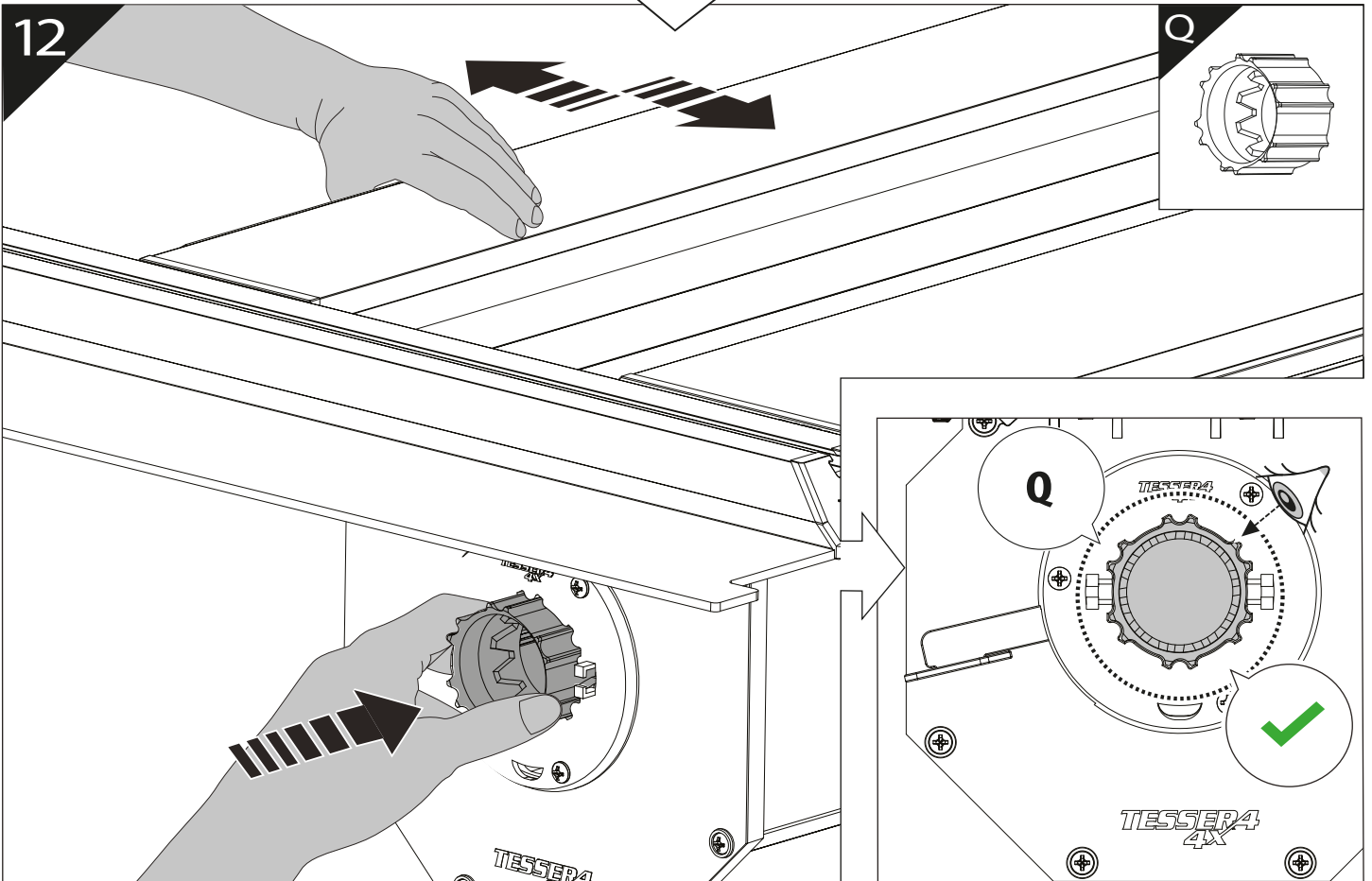
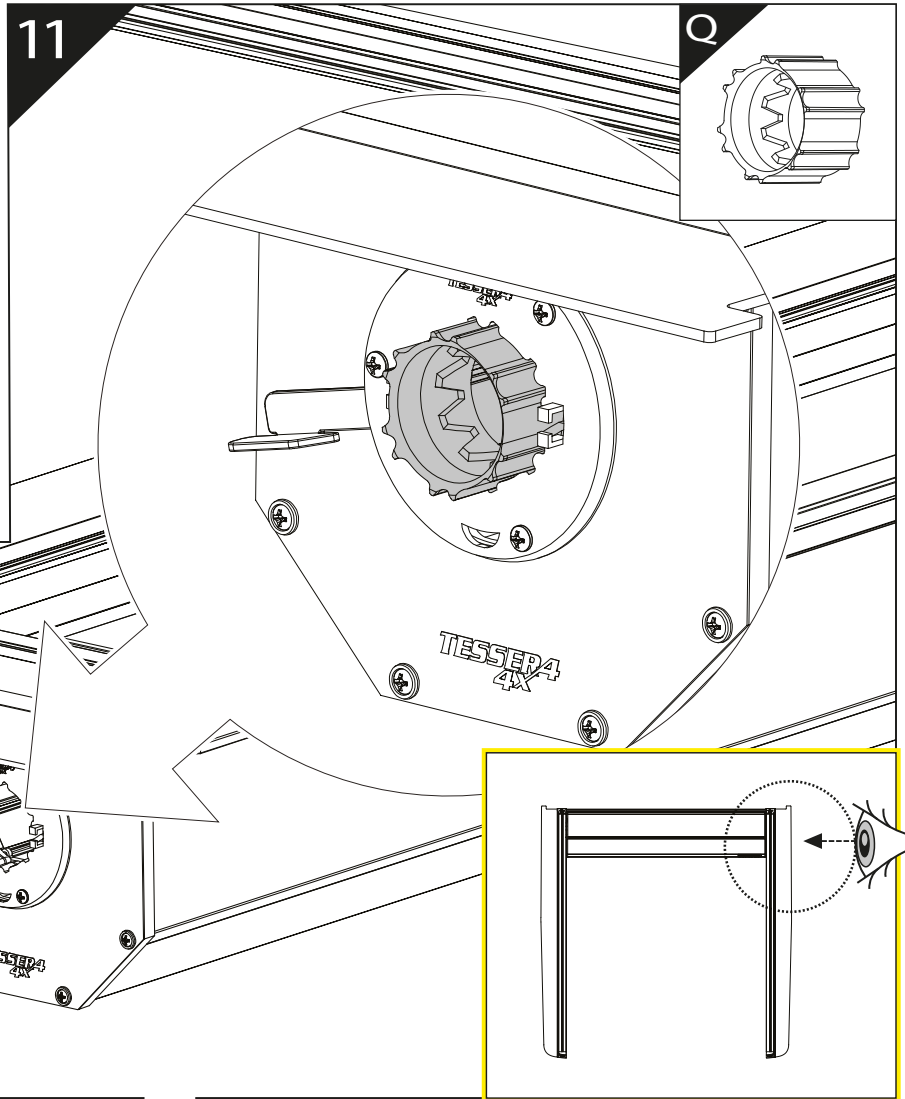
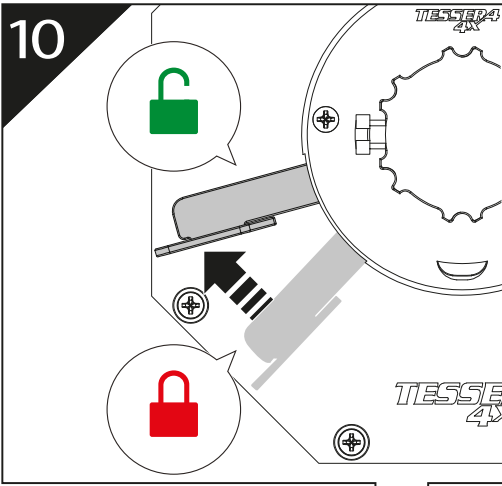


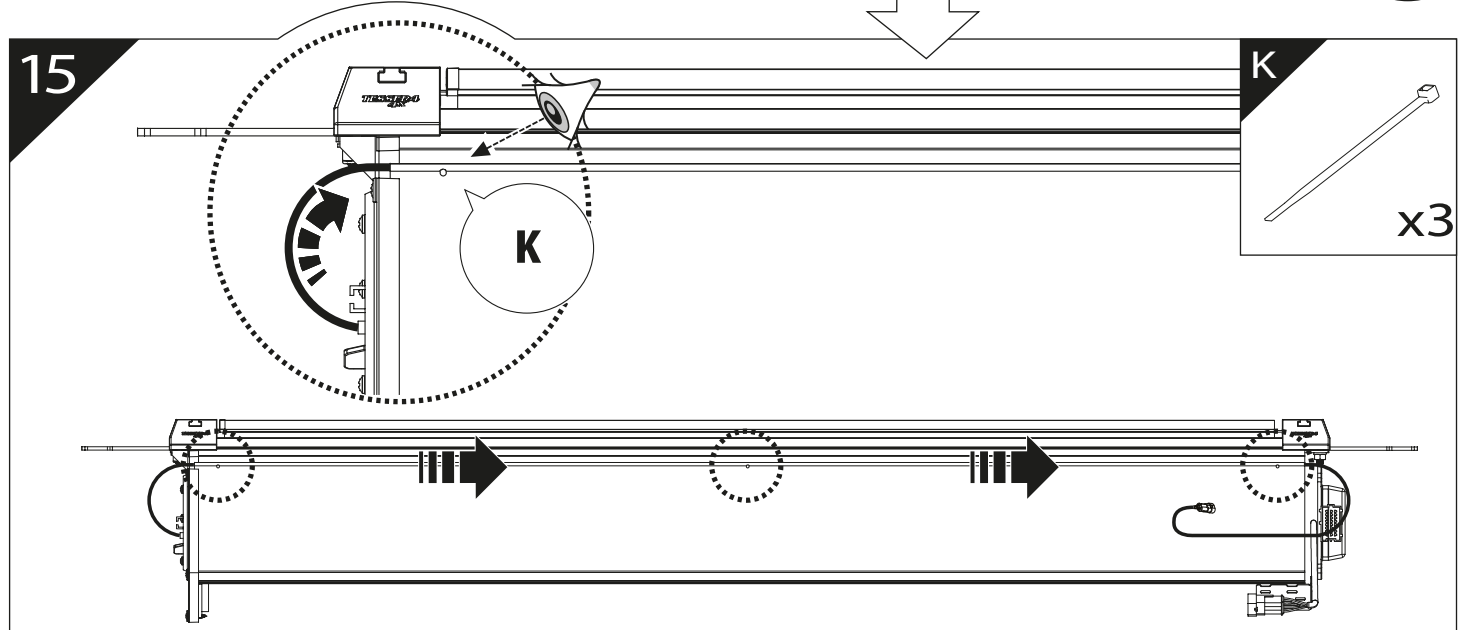
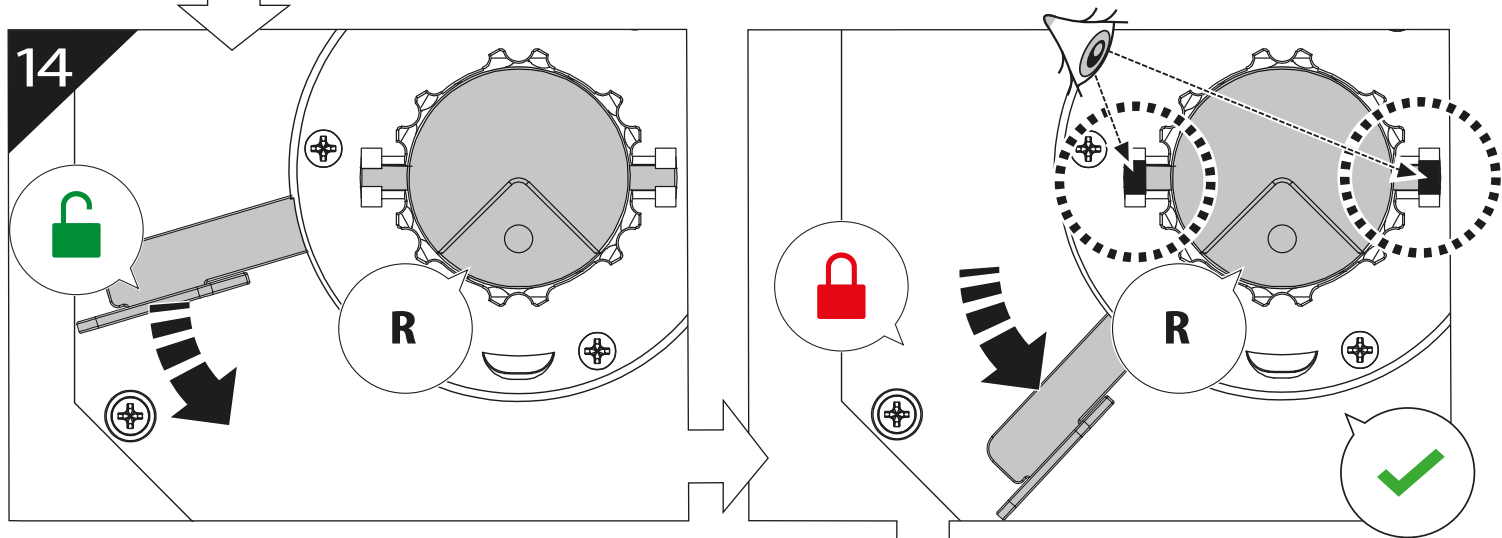
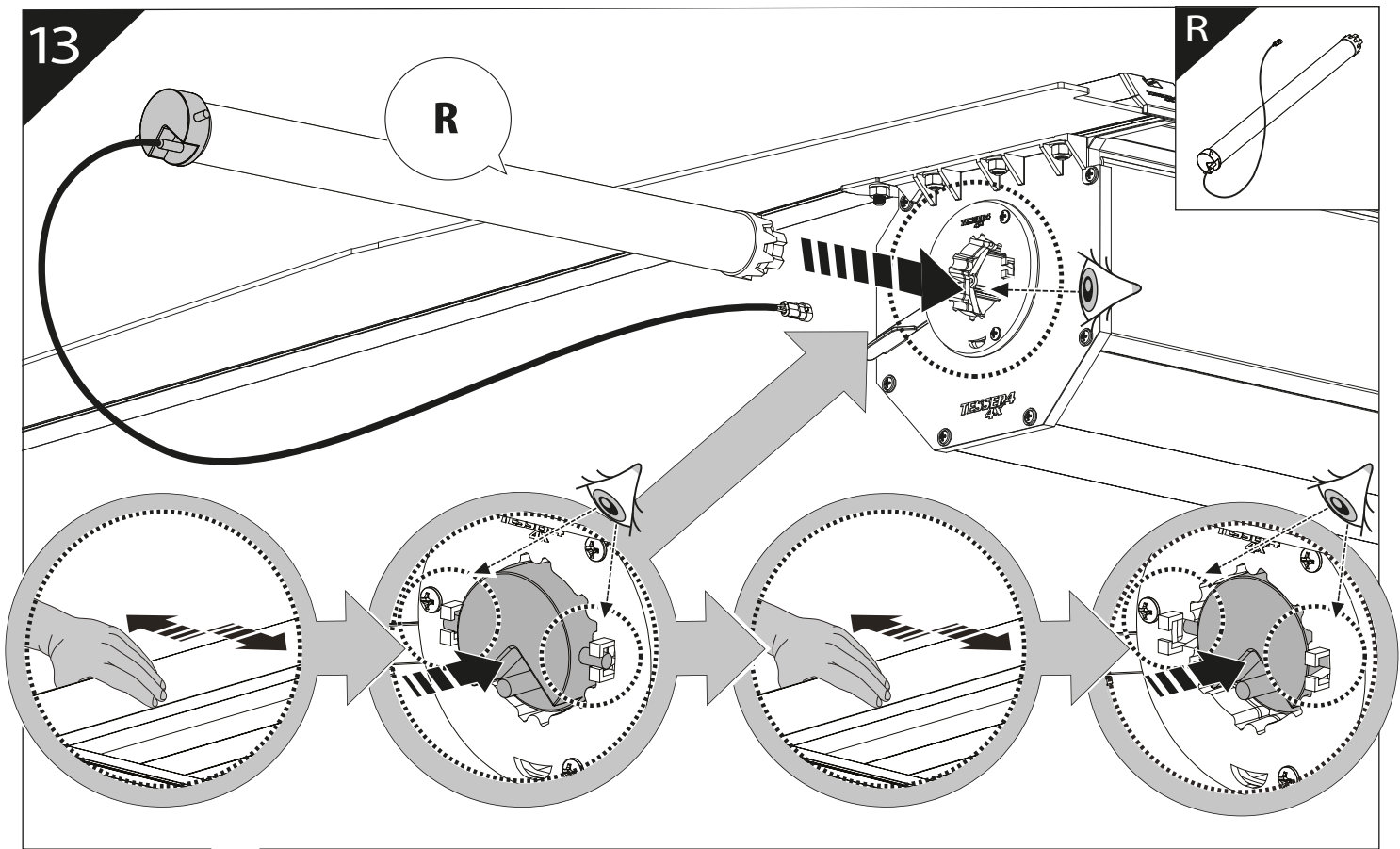
4



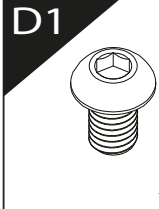
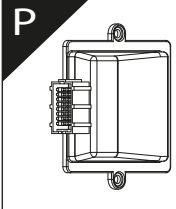




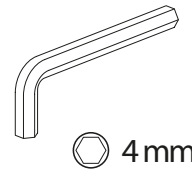




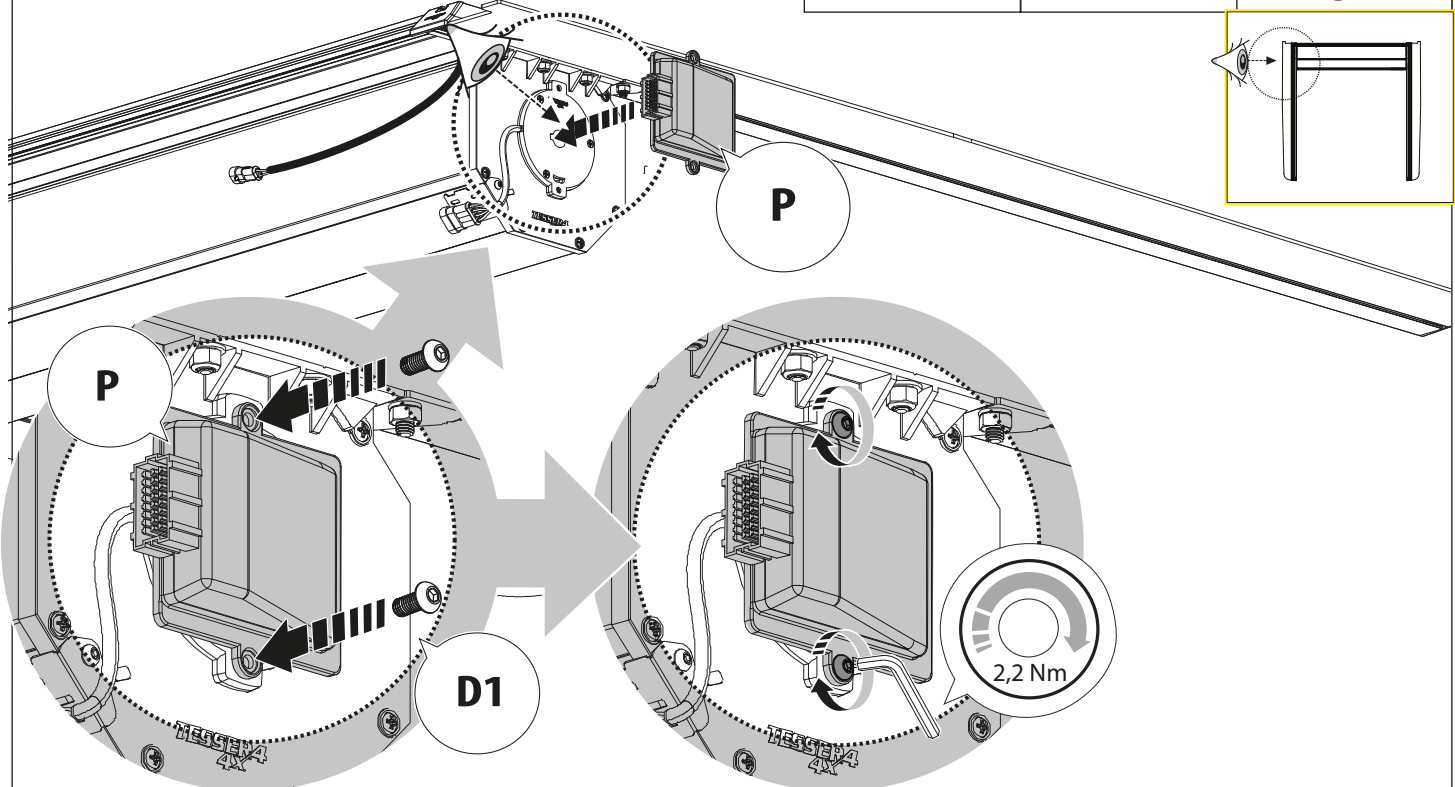
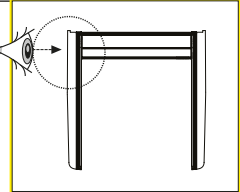
16



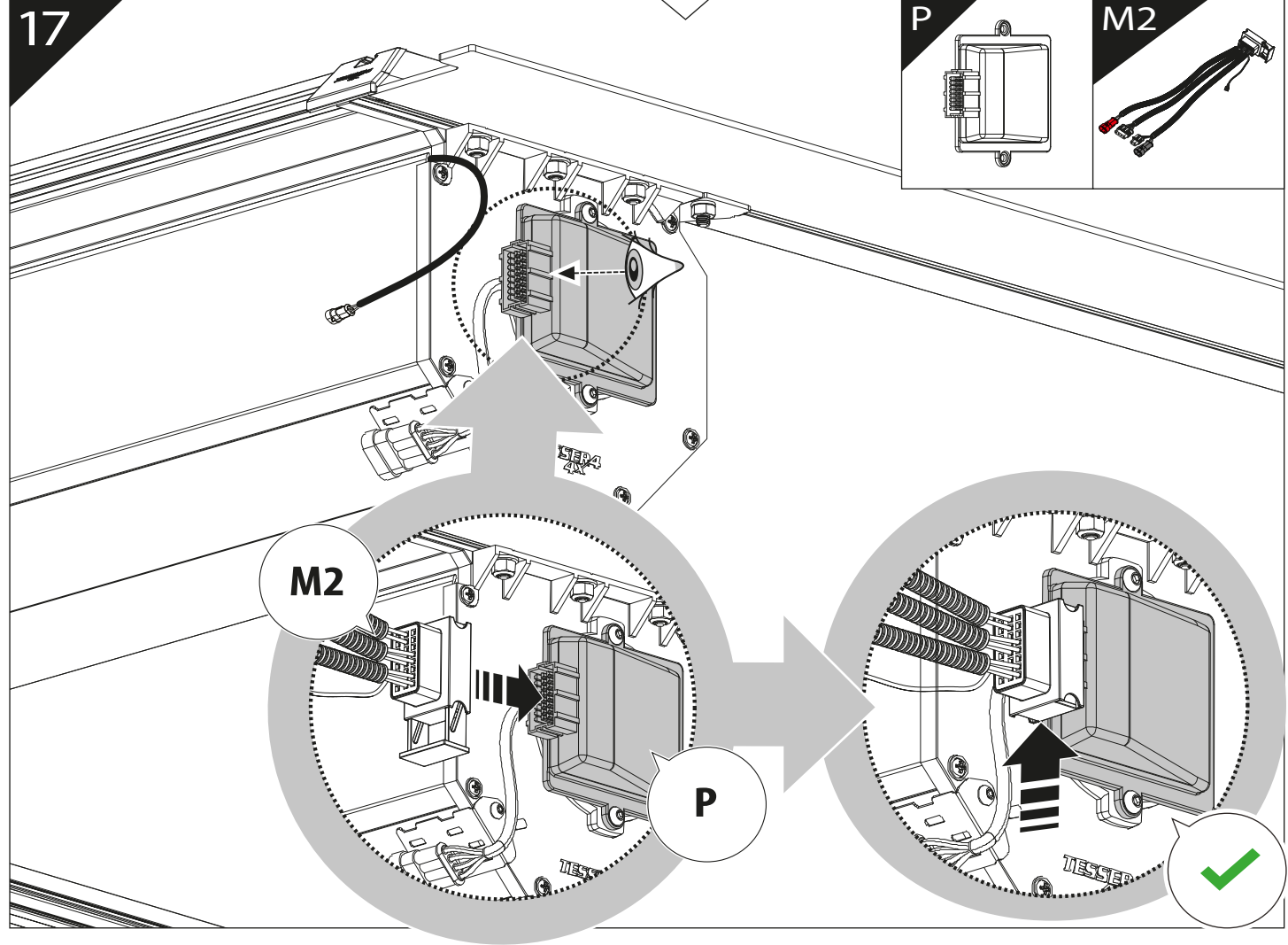
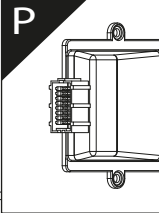
x2

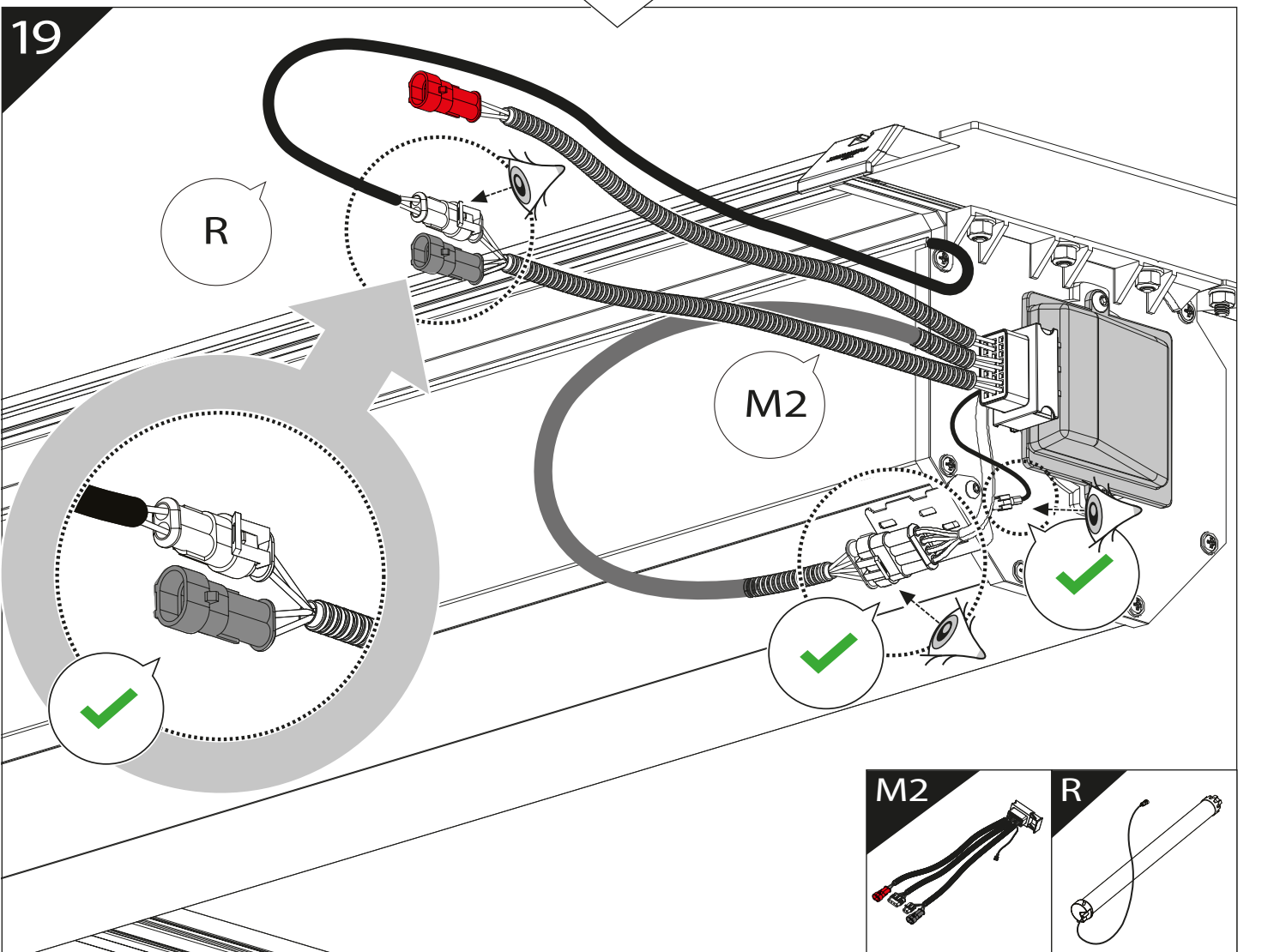
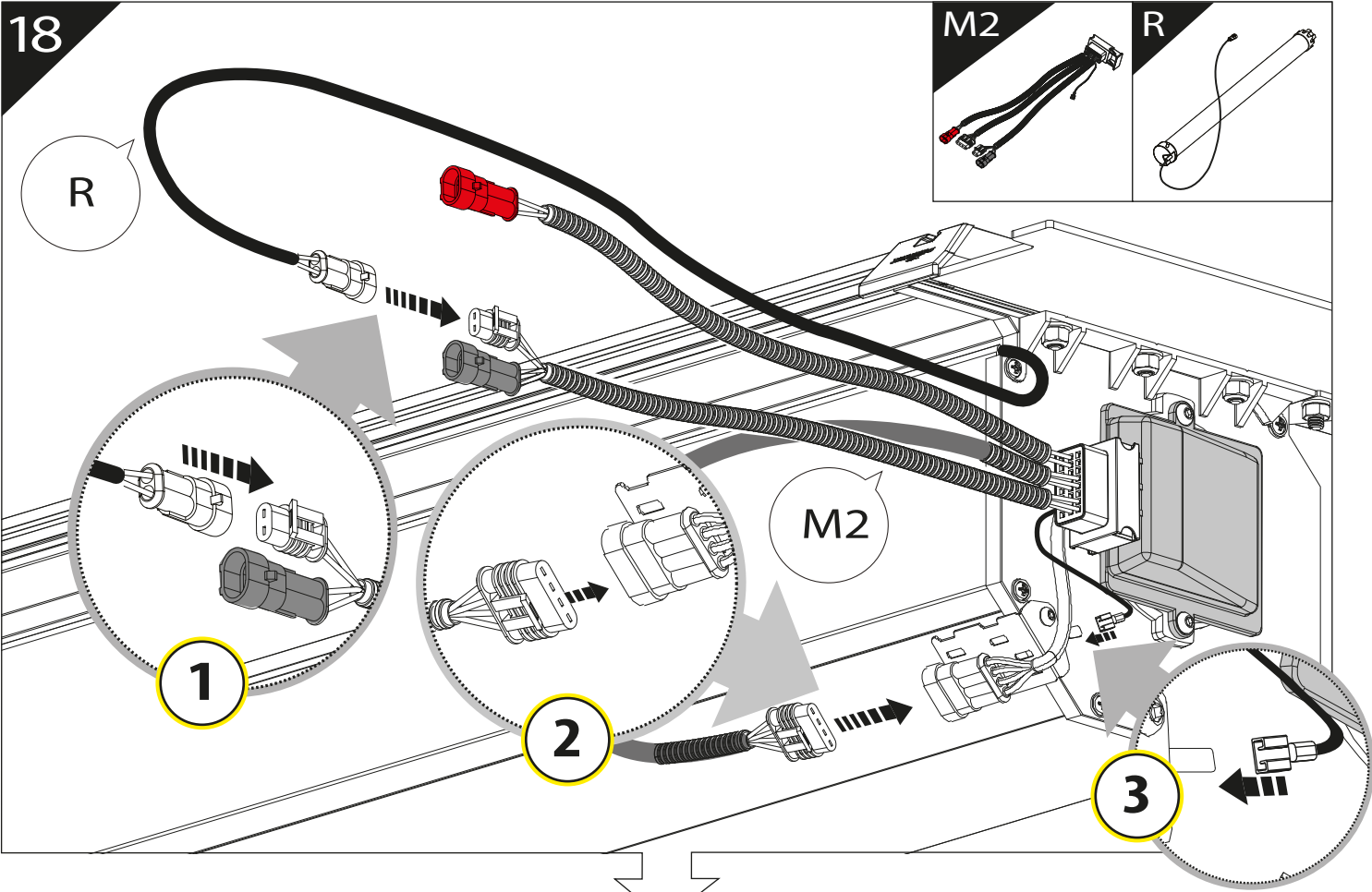


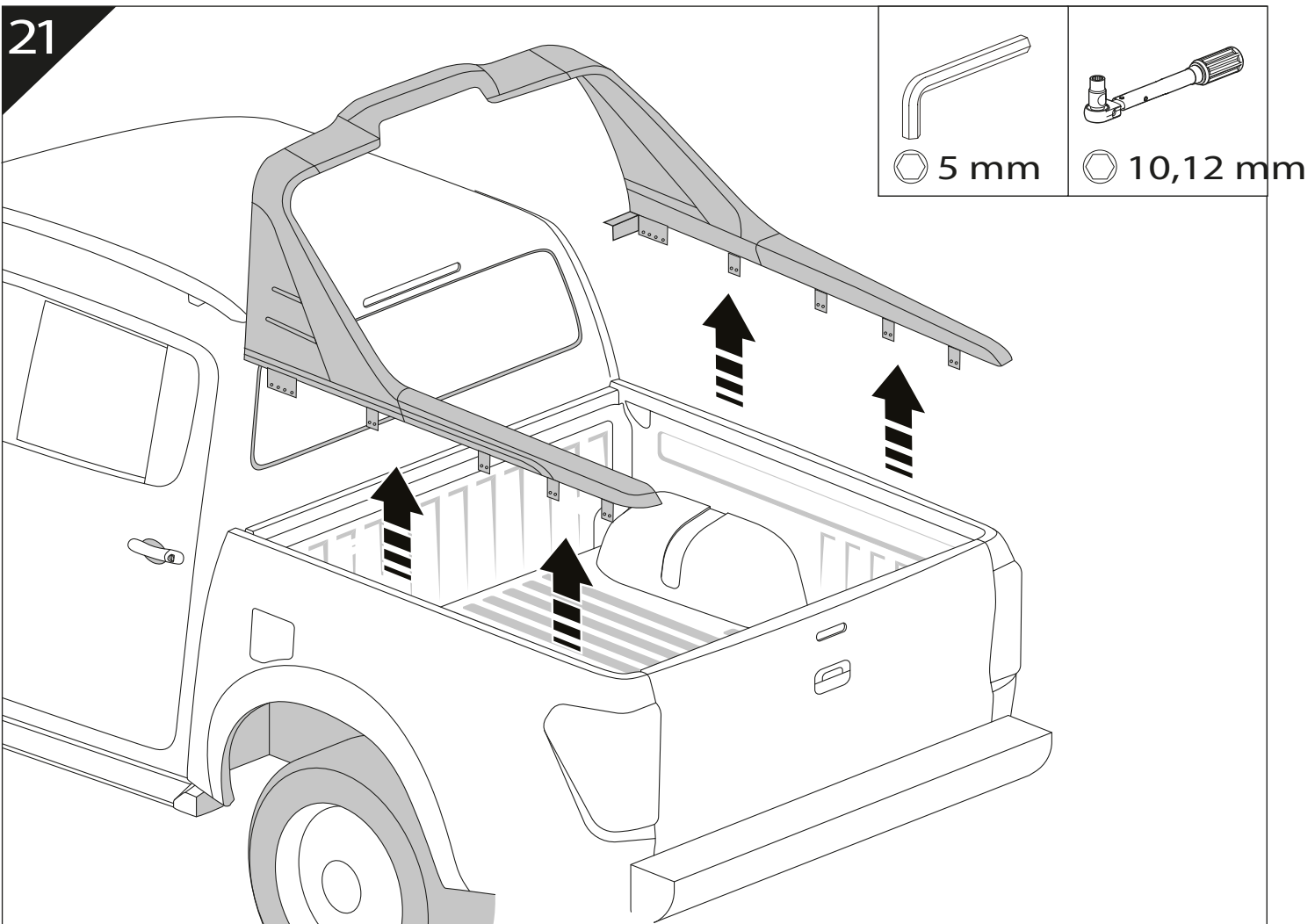
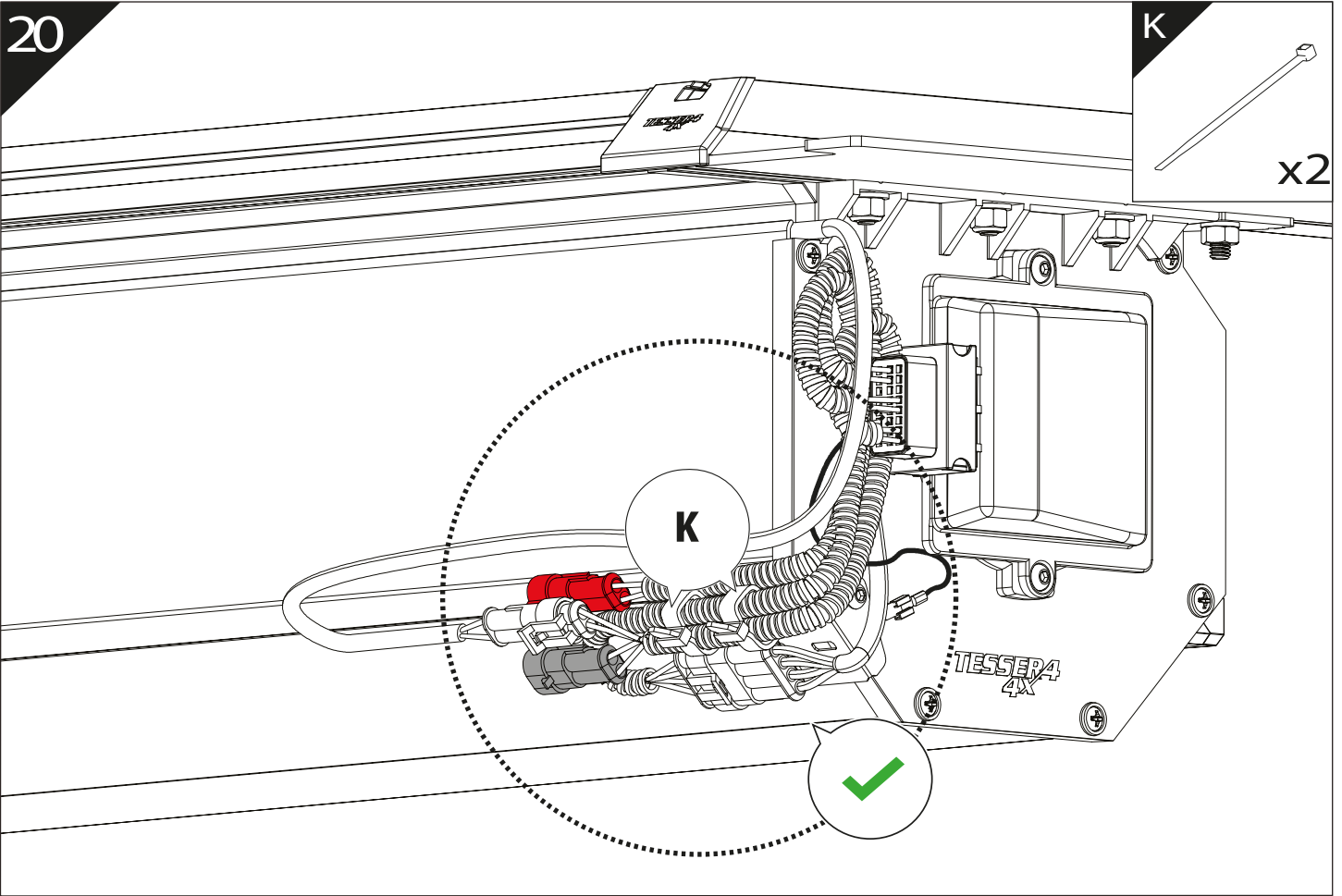
4mm



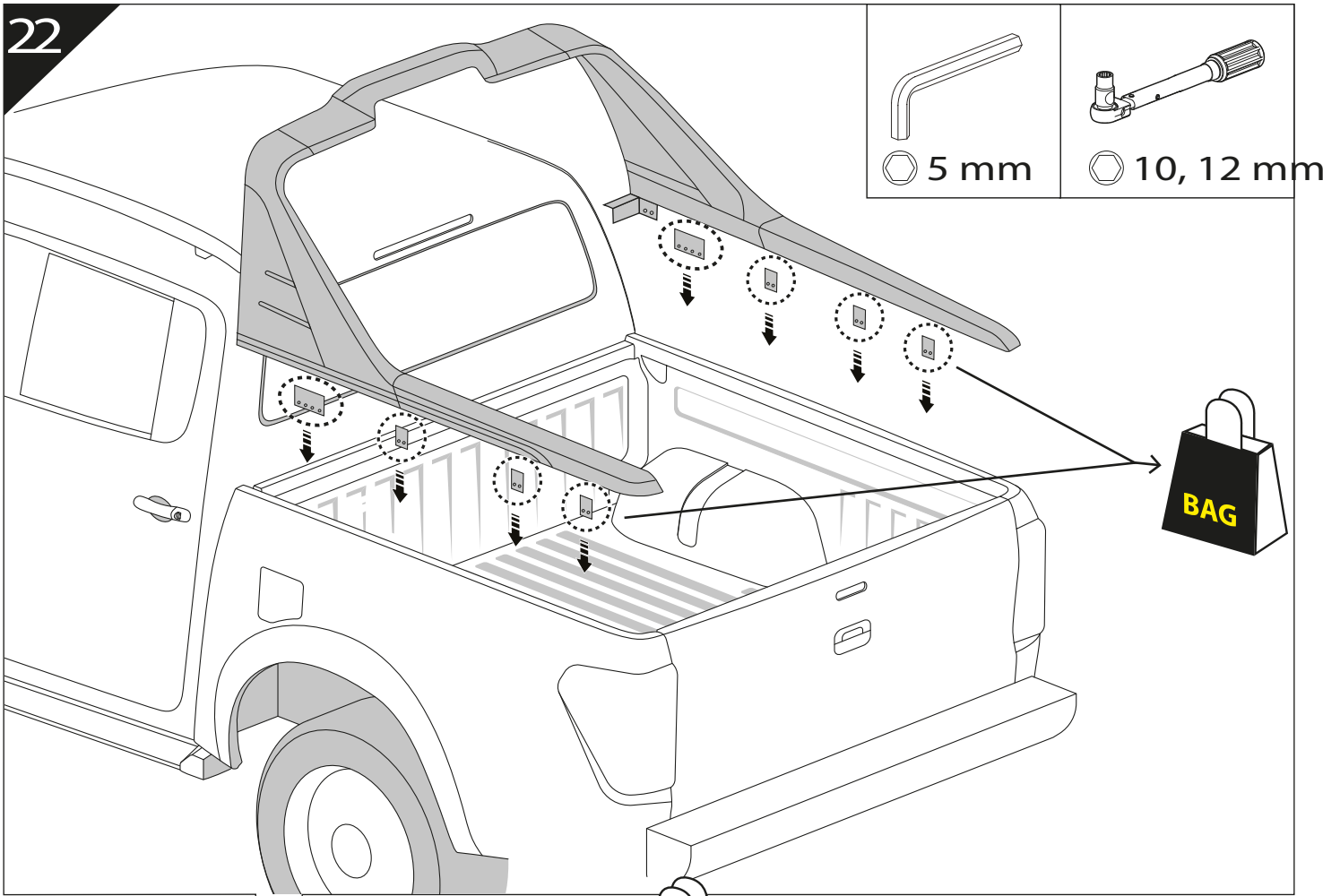
17



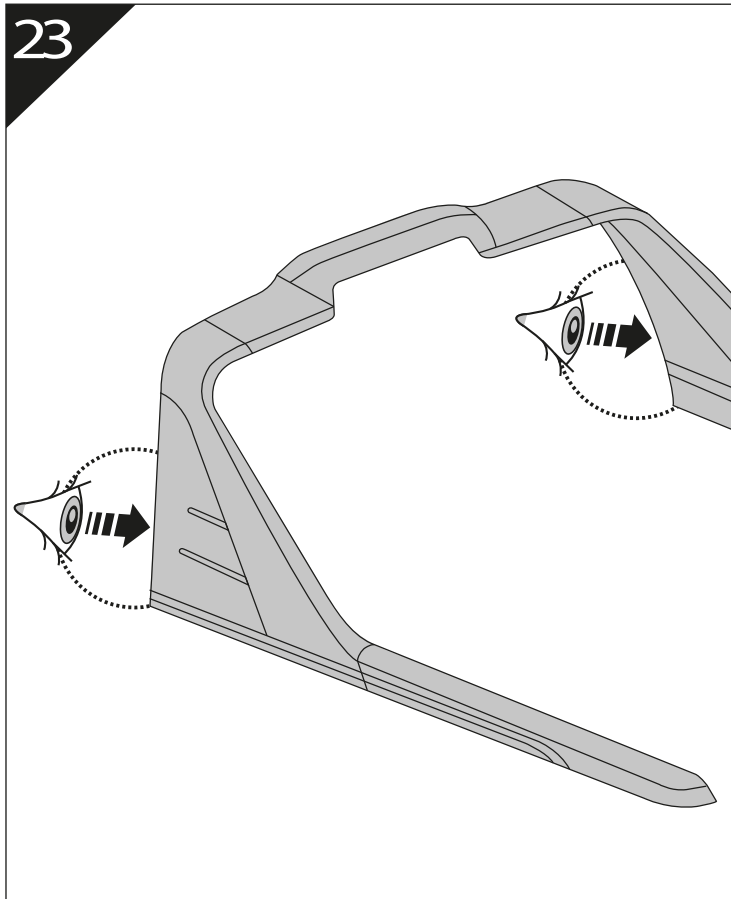




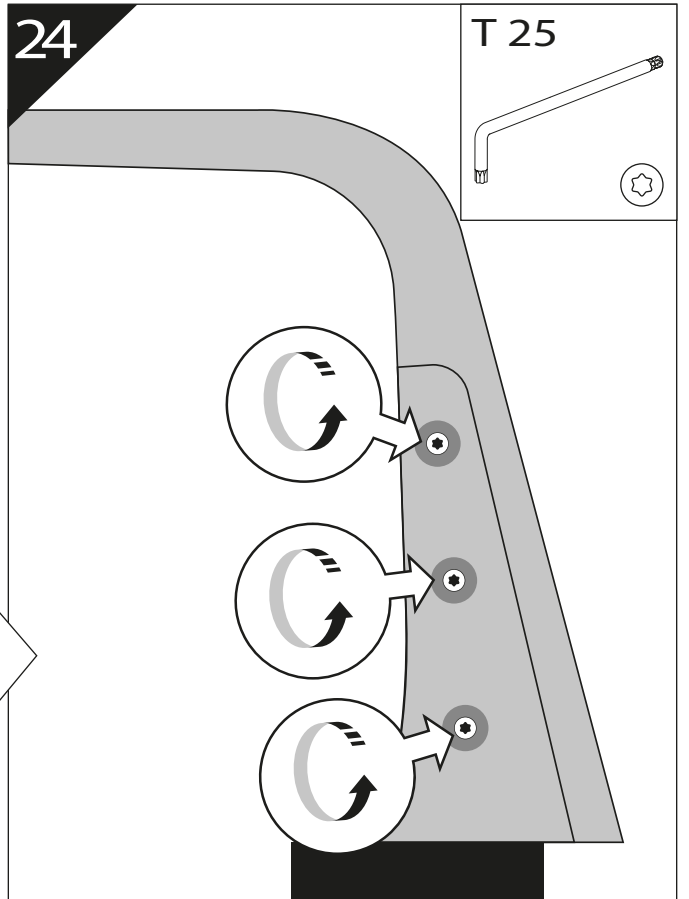
22

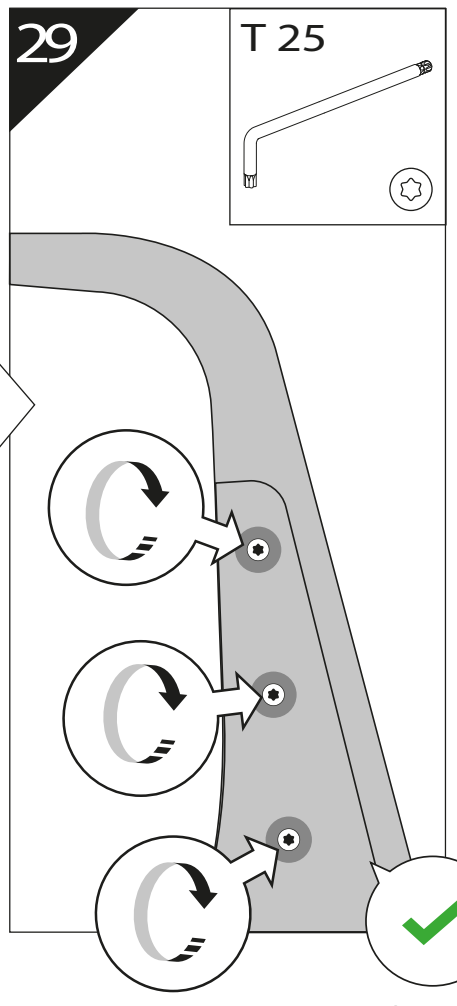
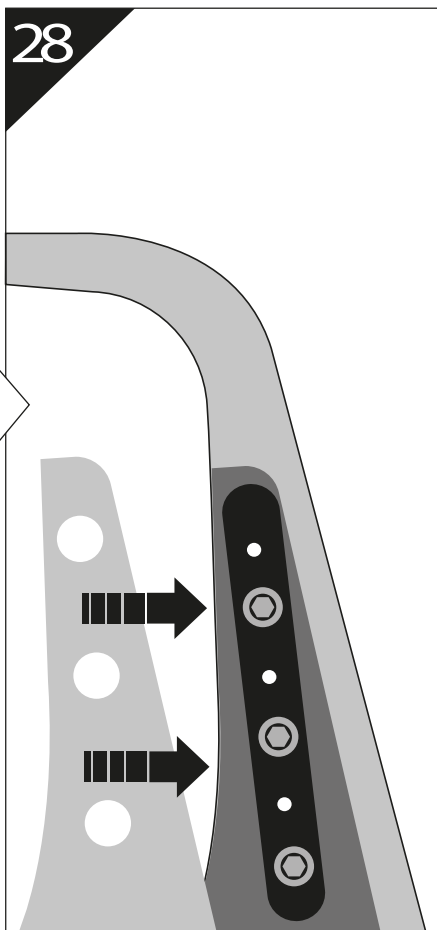
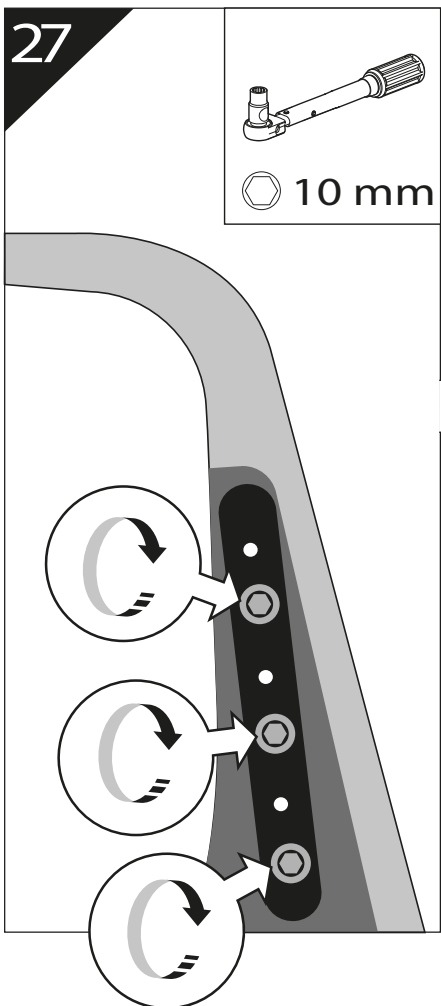
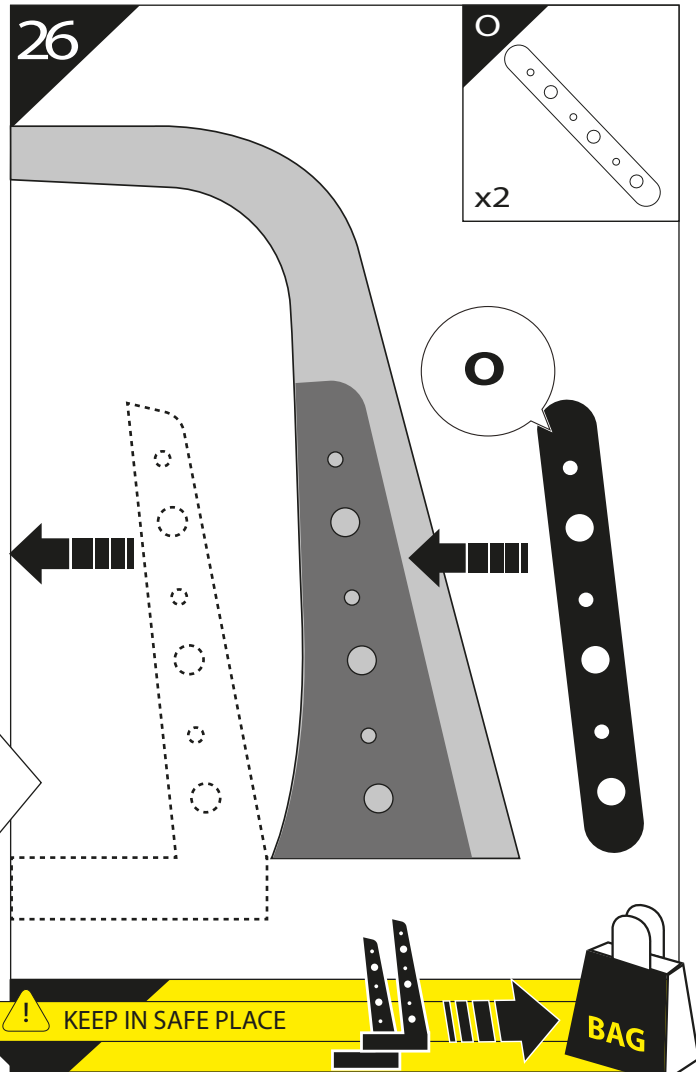
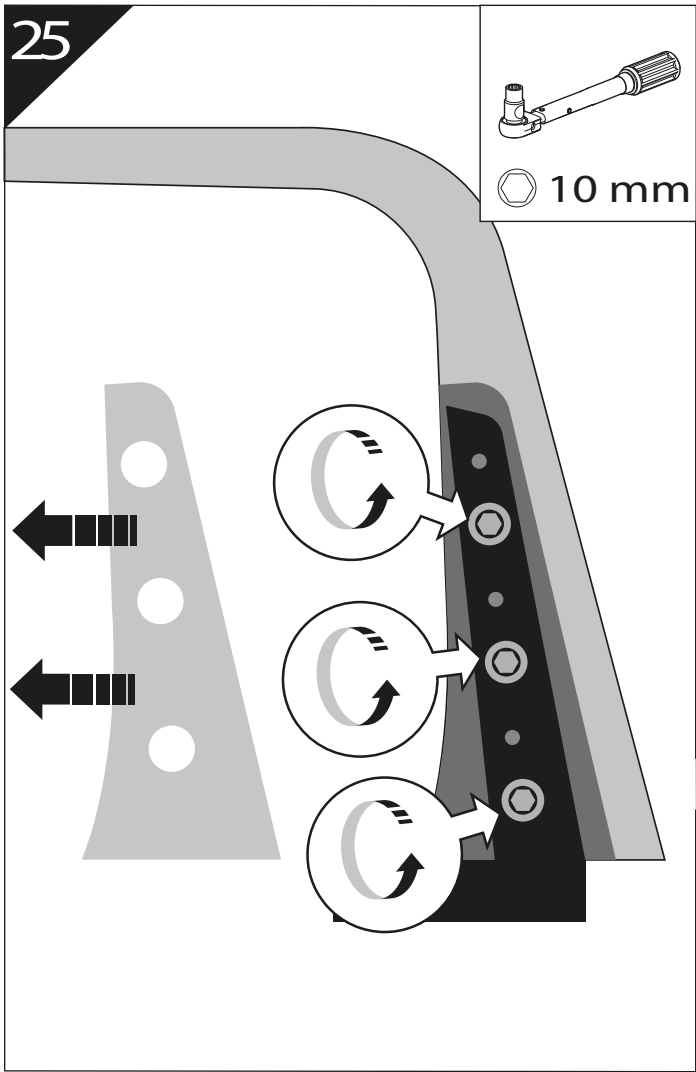


23

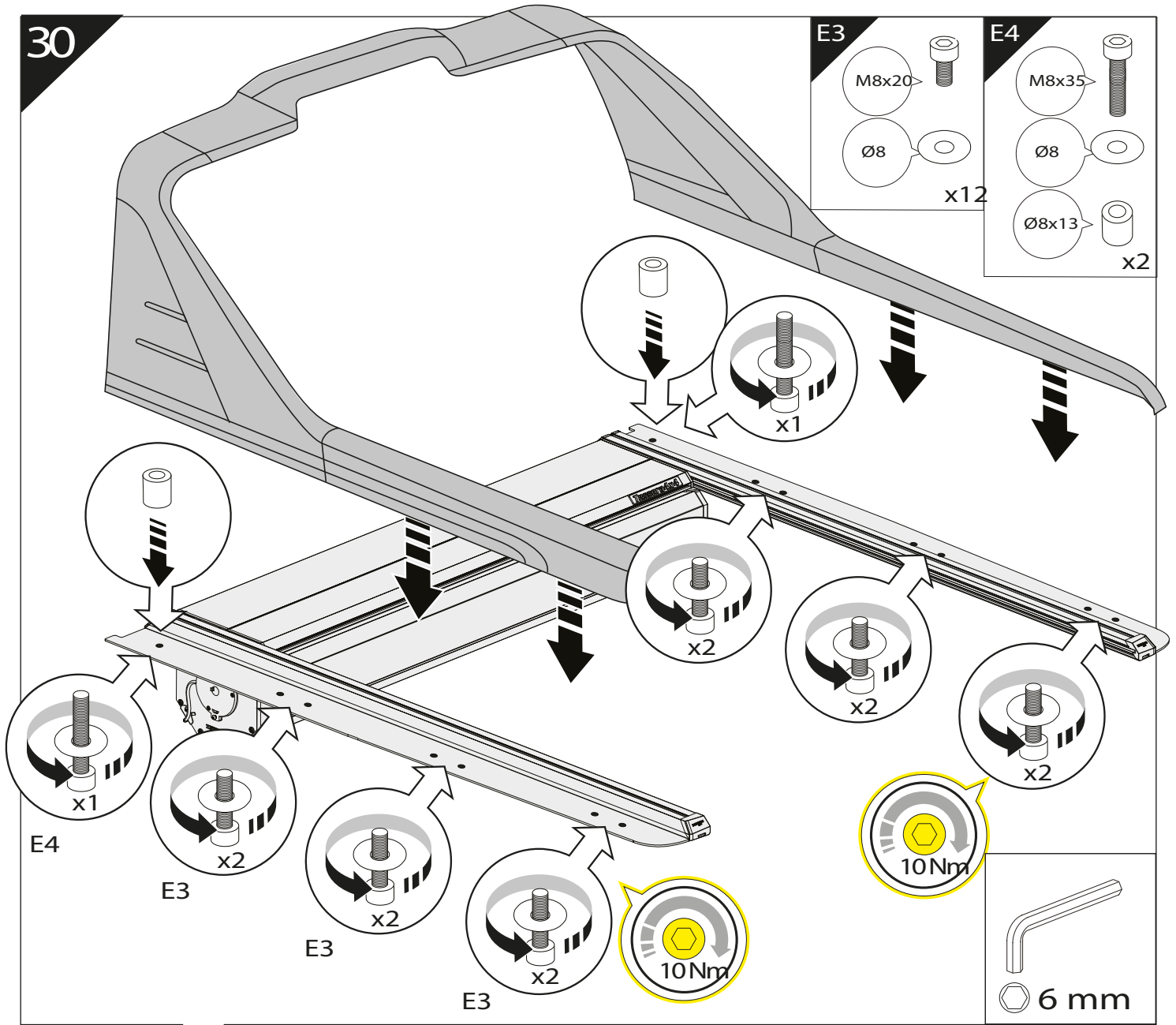


24

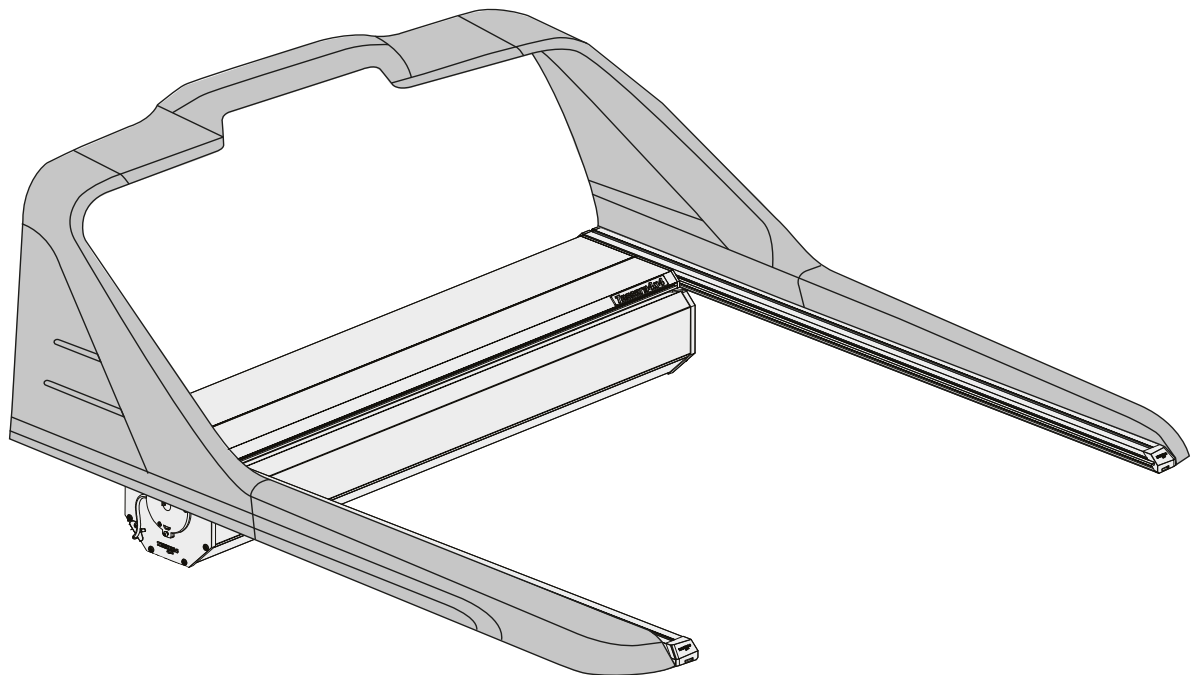




30

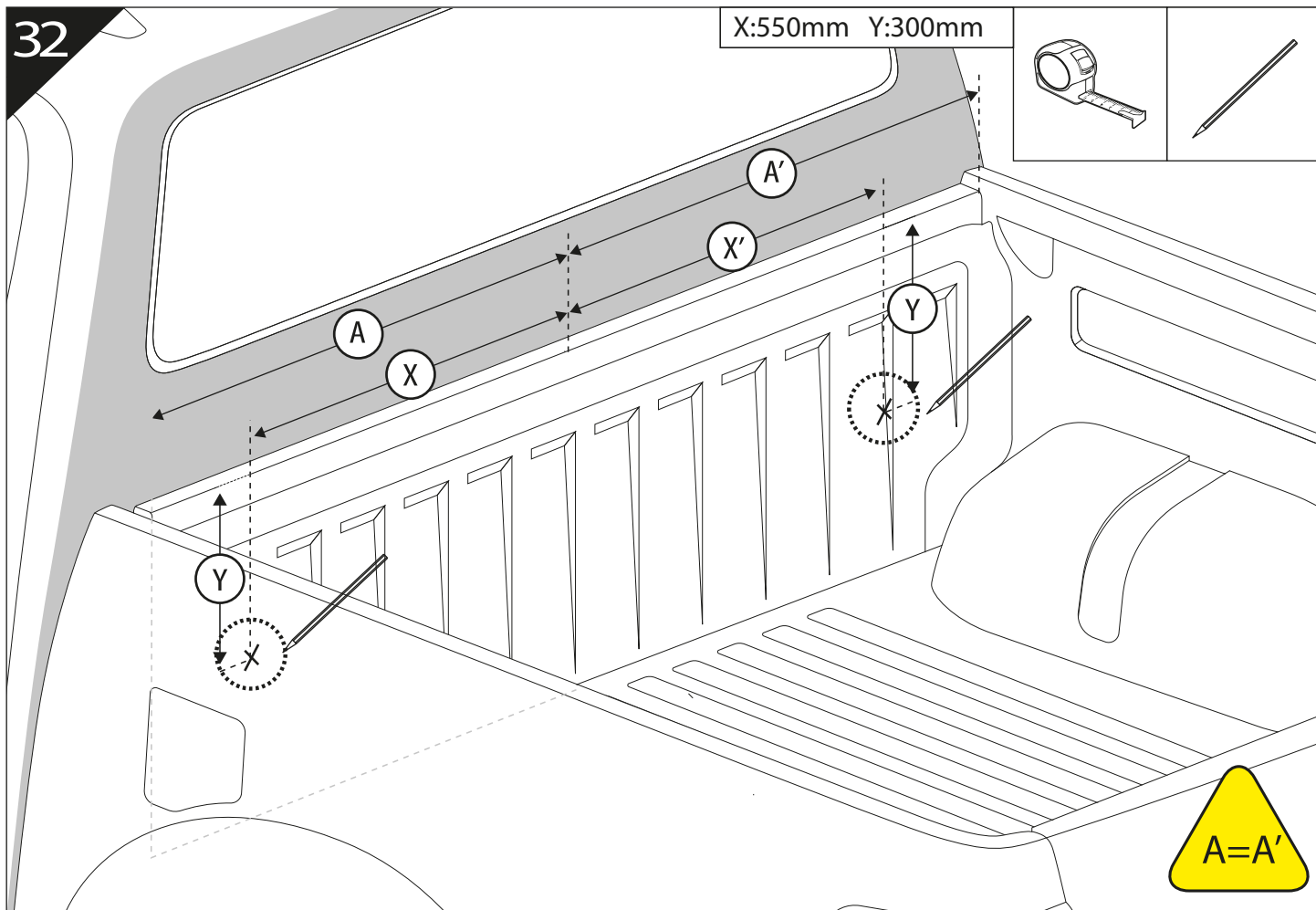
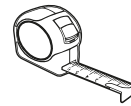


31



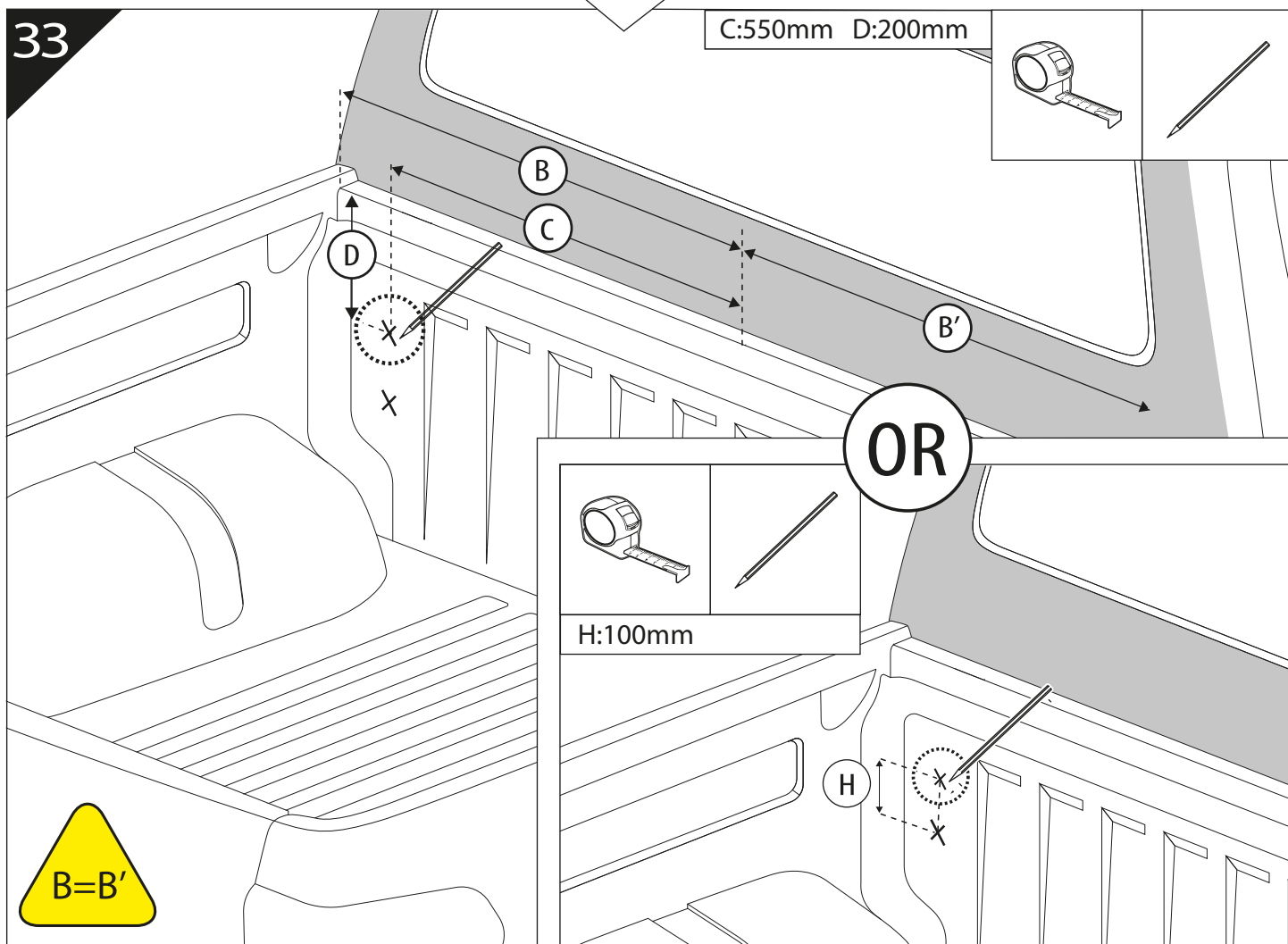
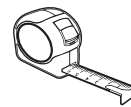
32

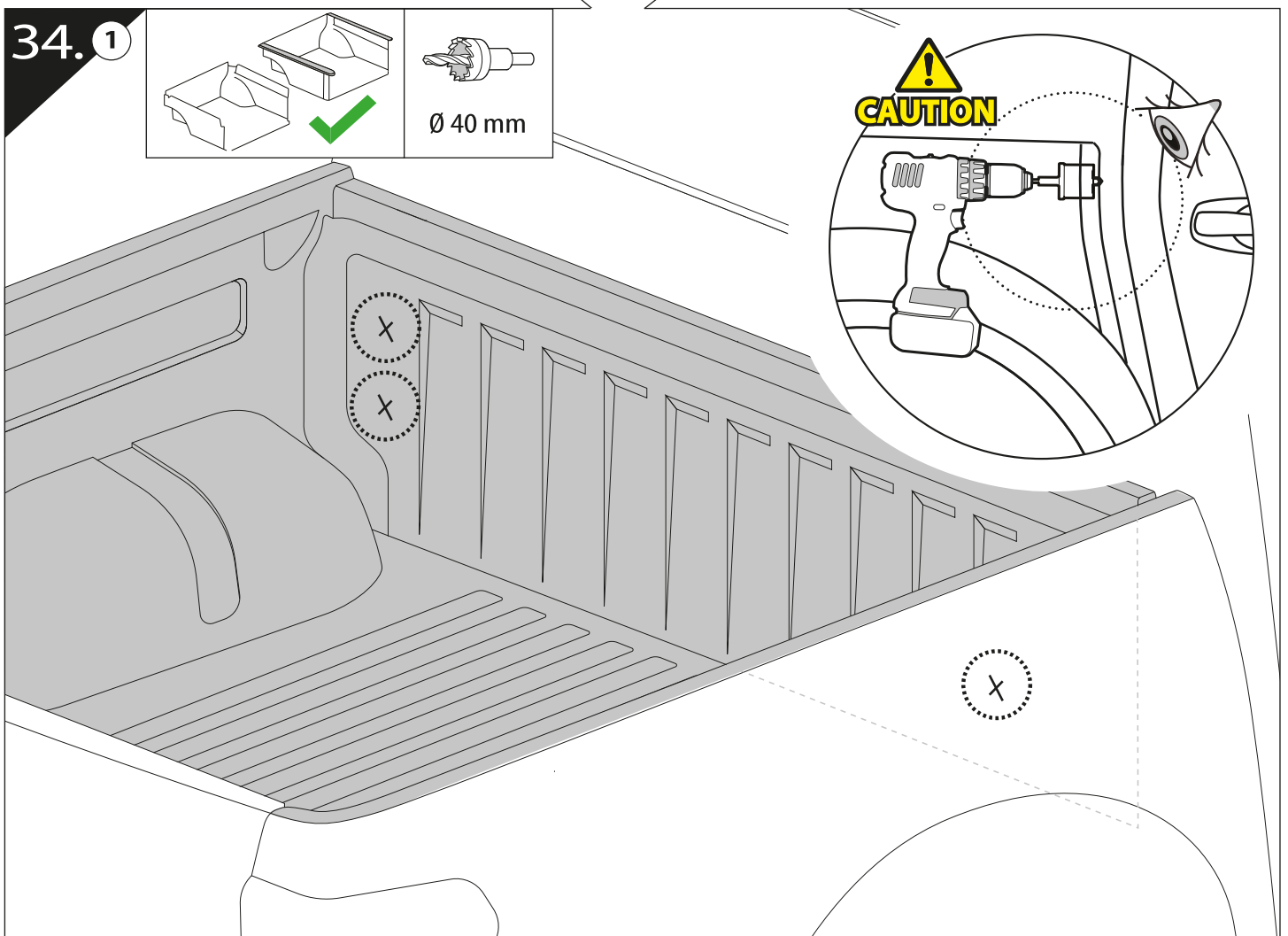
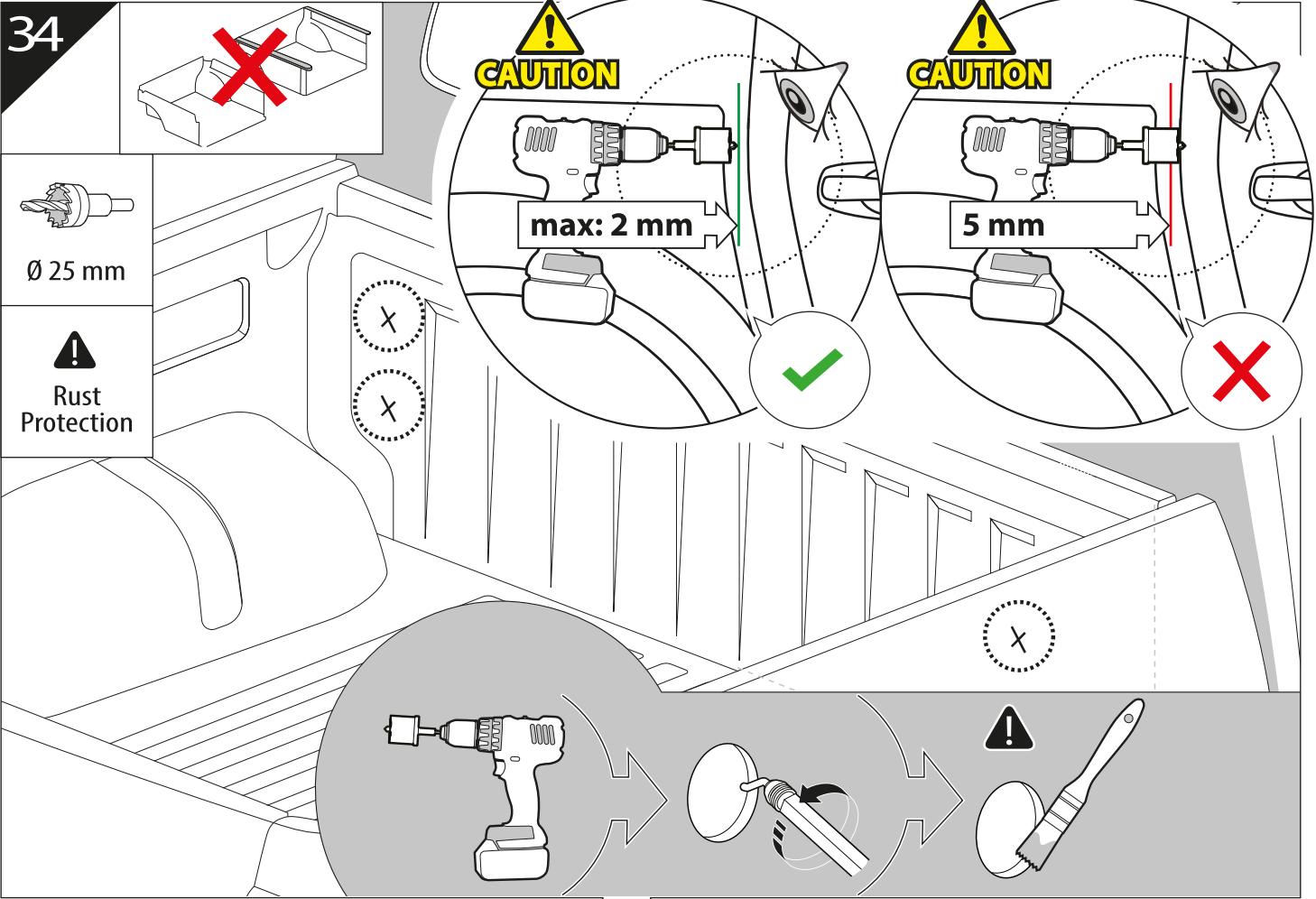
X:550mm Y:300mm



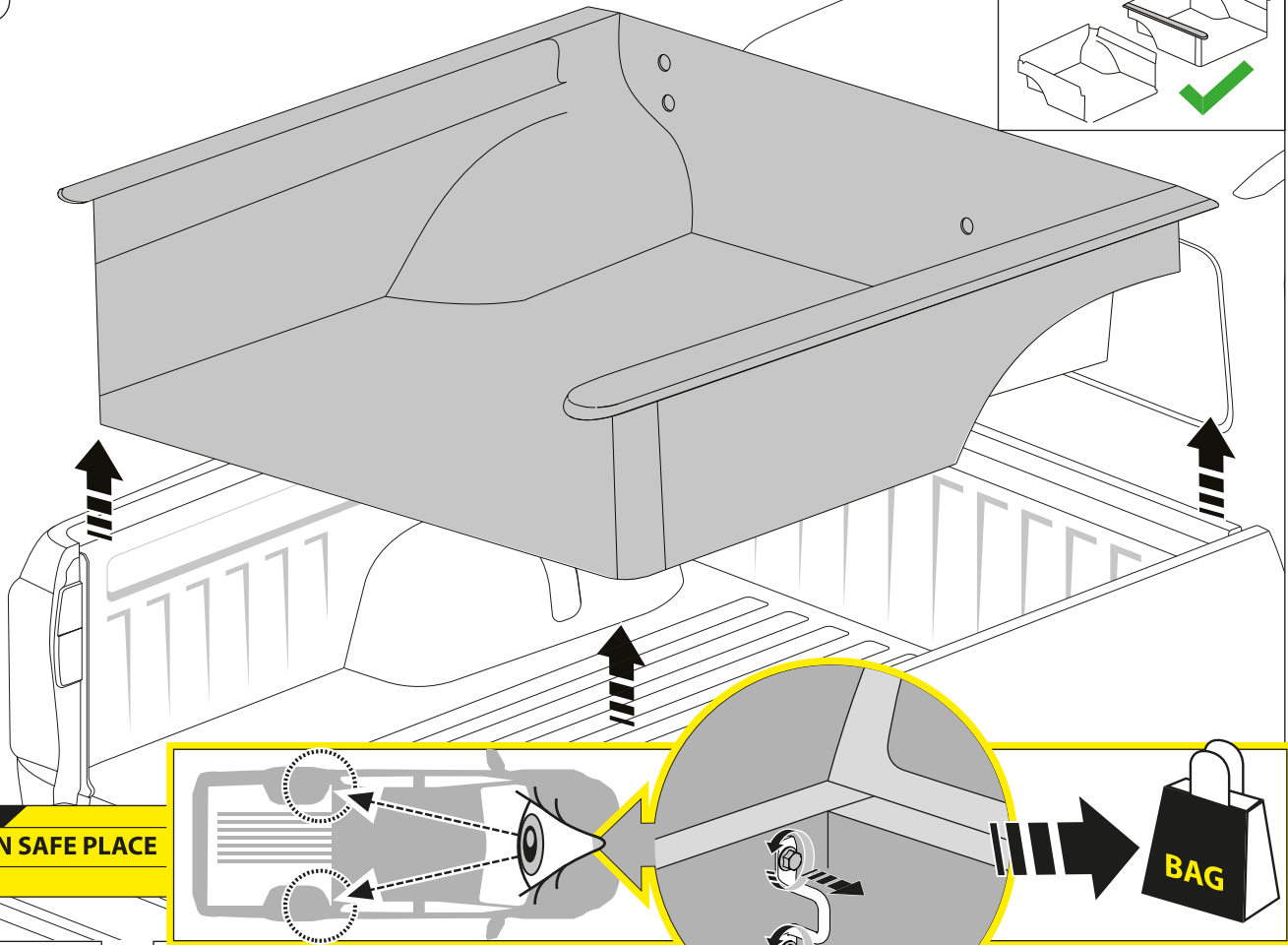
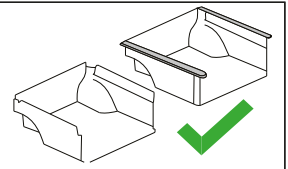
33

C:550mm D:200mm

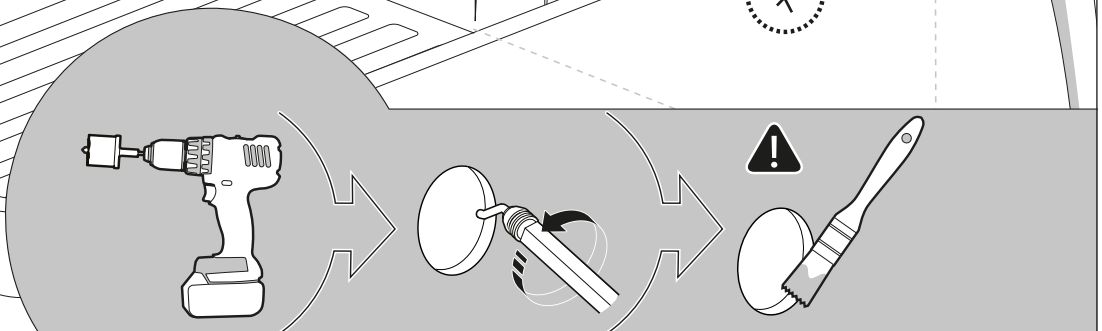
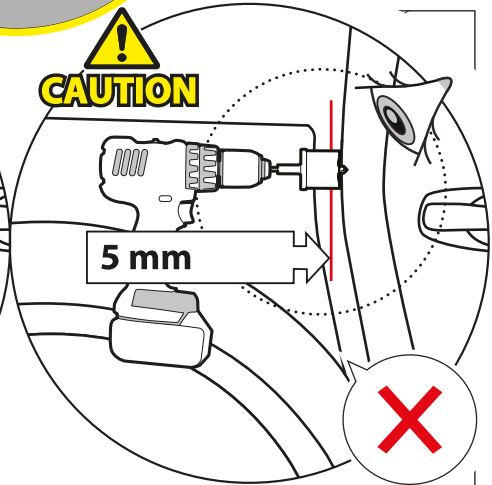
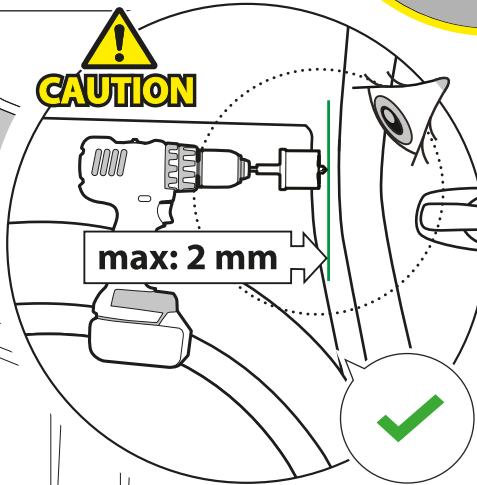
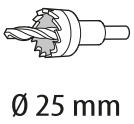
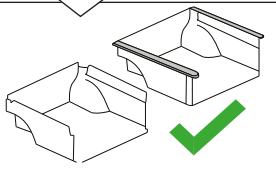




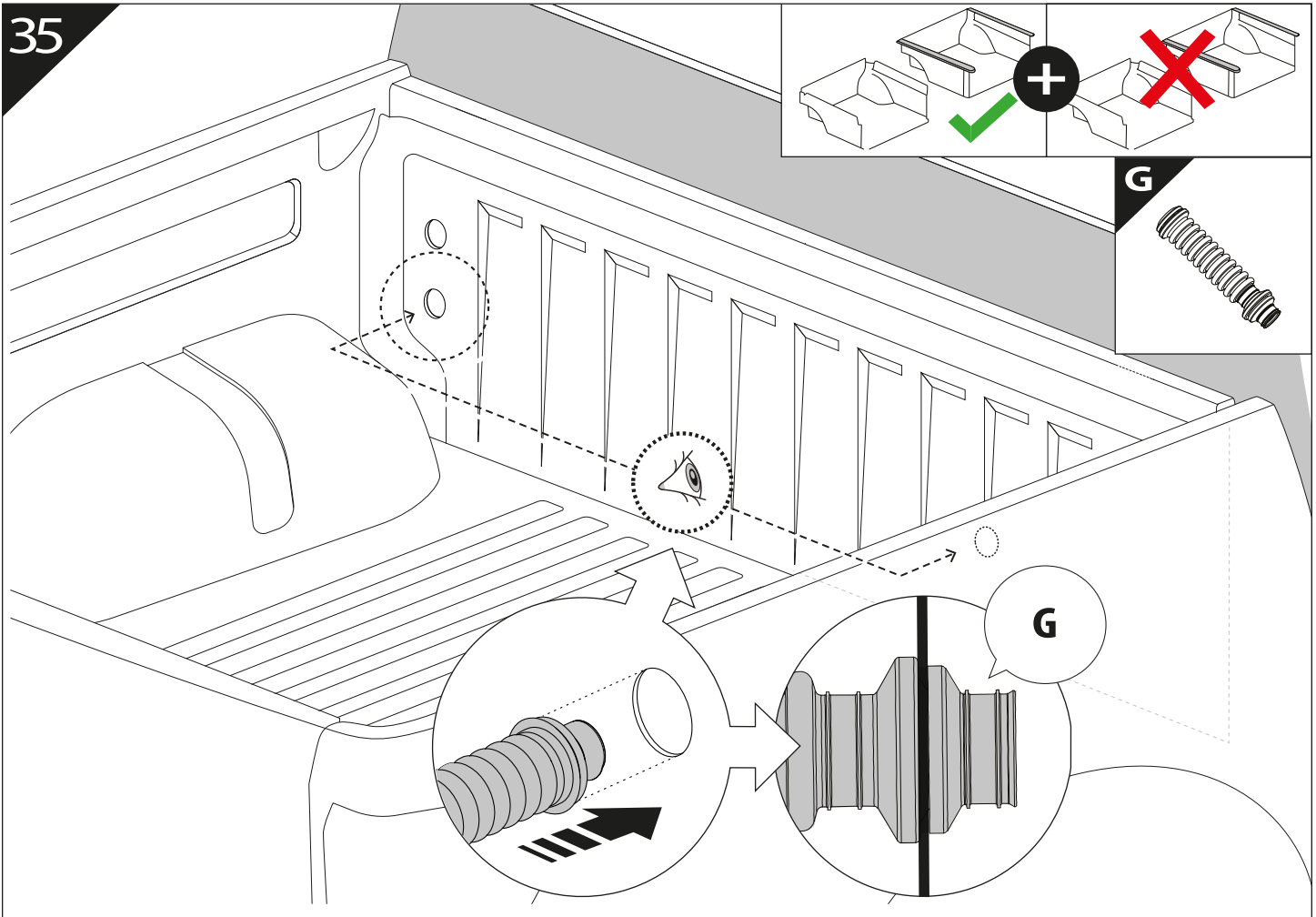
34. 2



34. 3

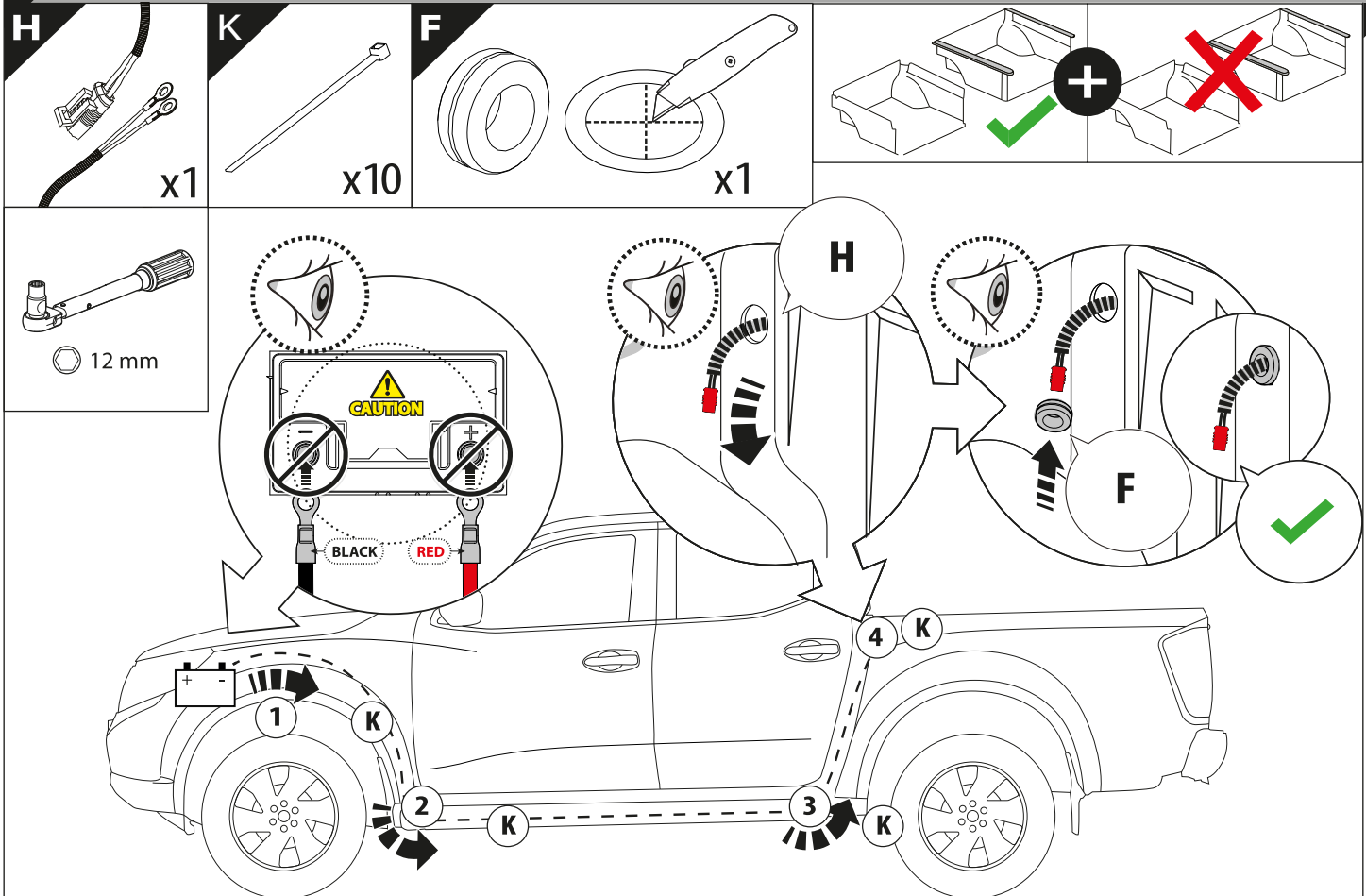


35

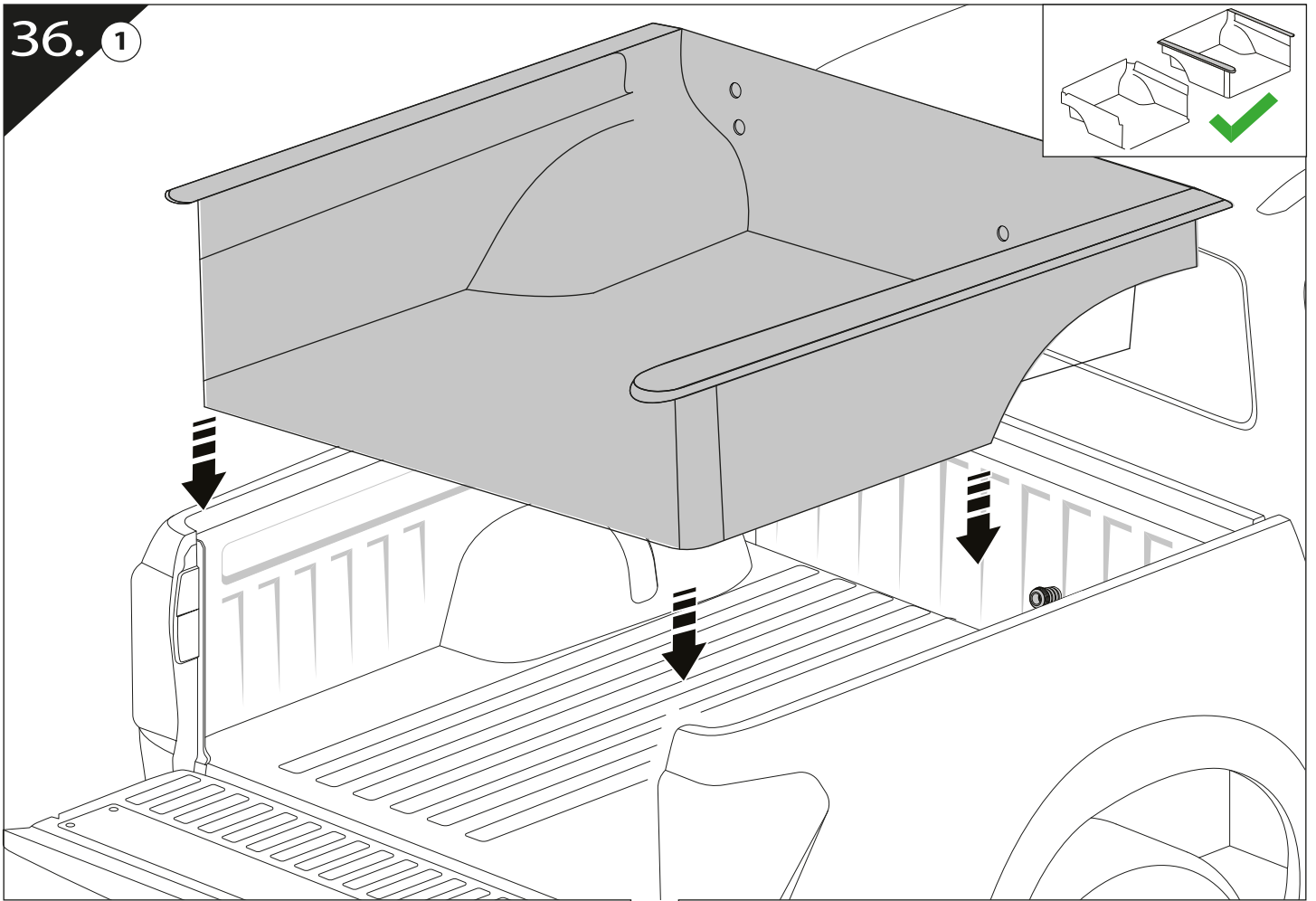


36

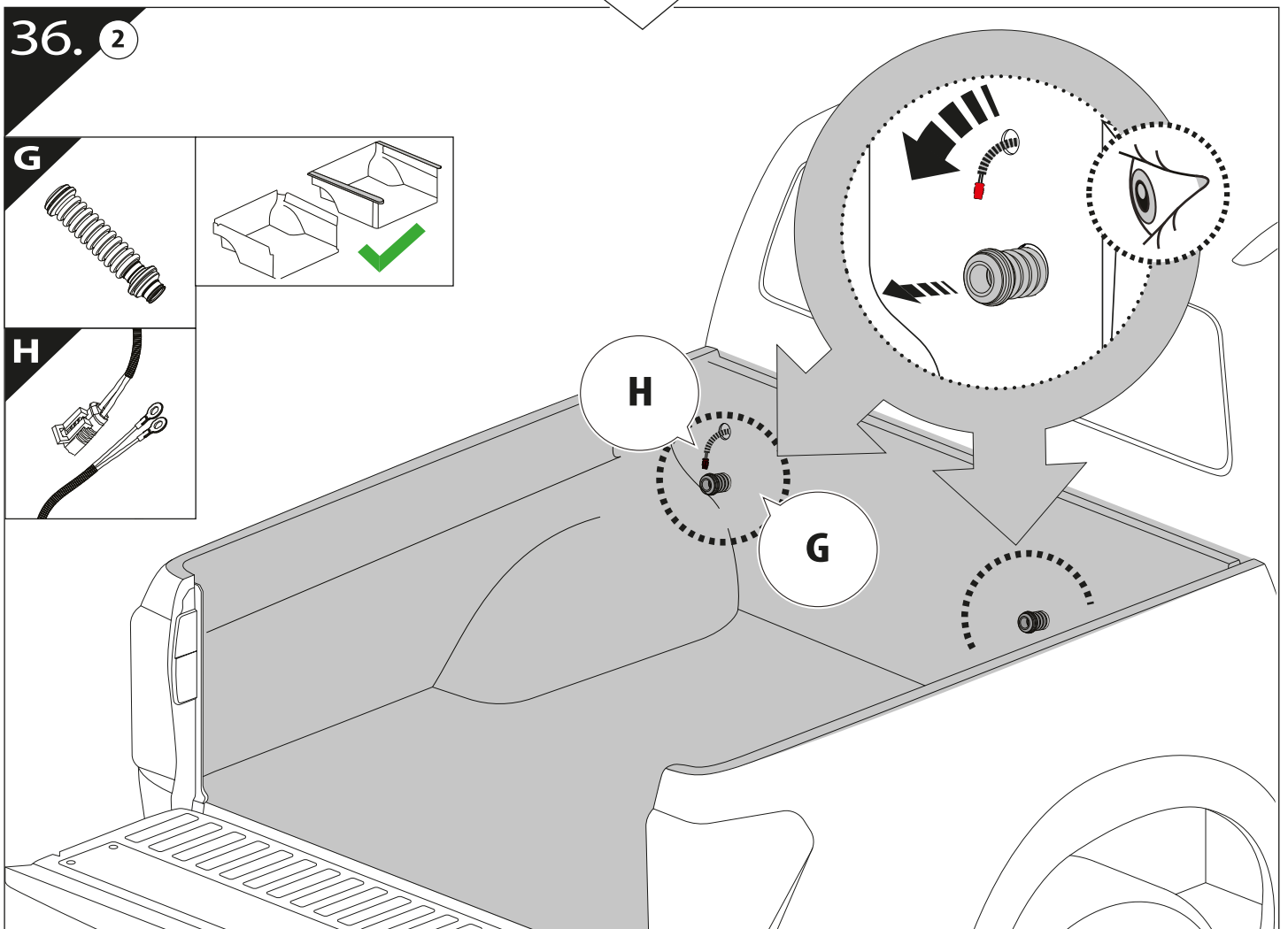
Only to be installed by authorized personnel



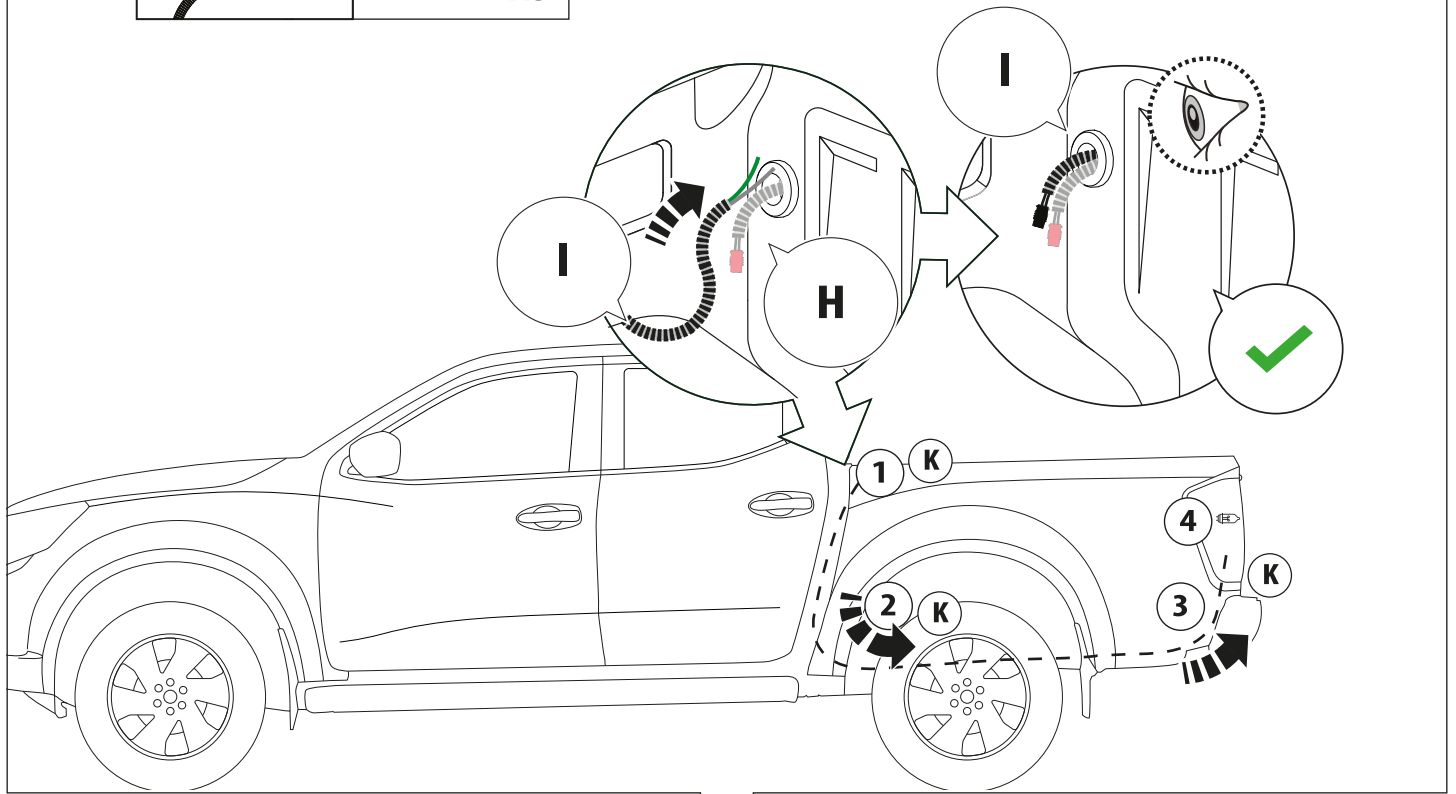
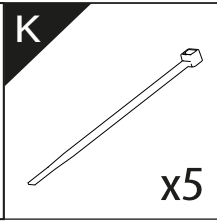
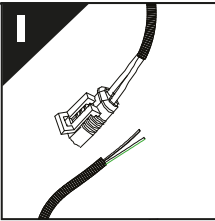
36. ①



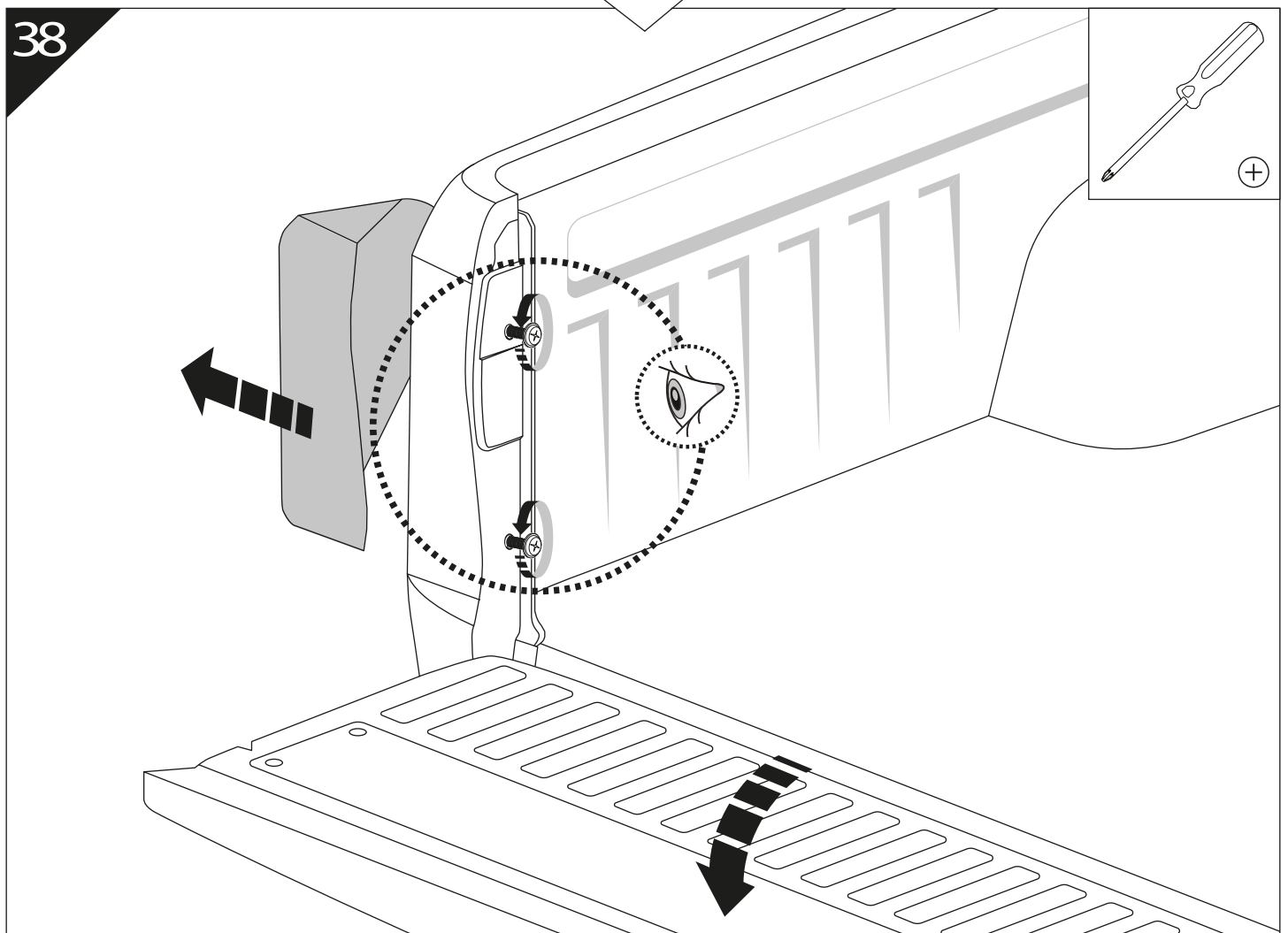
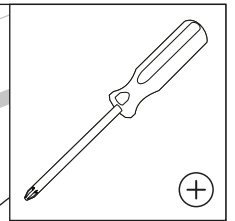
36. ②



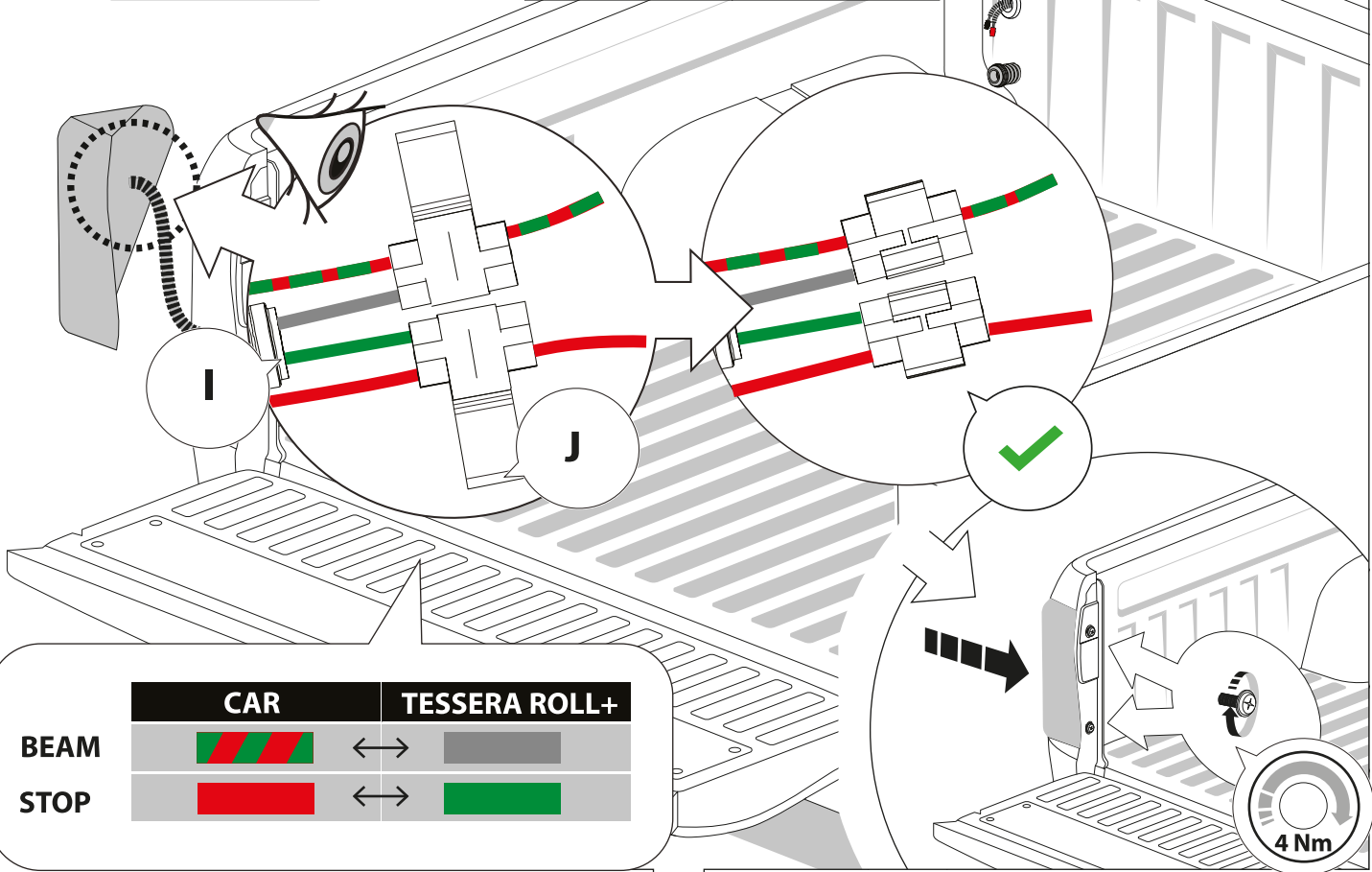
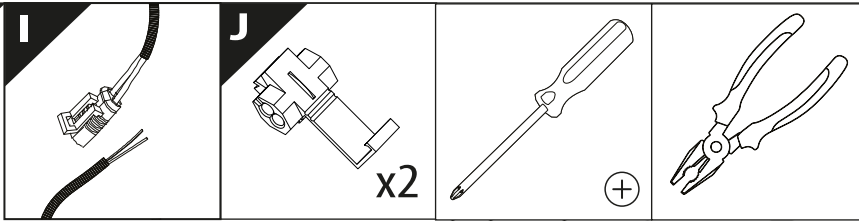
37



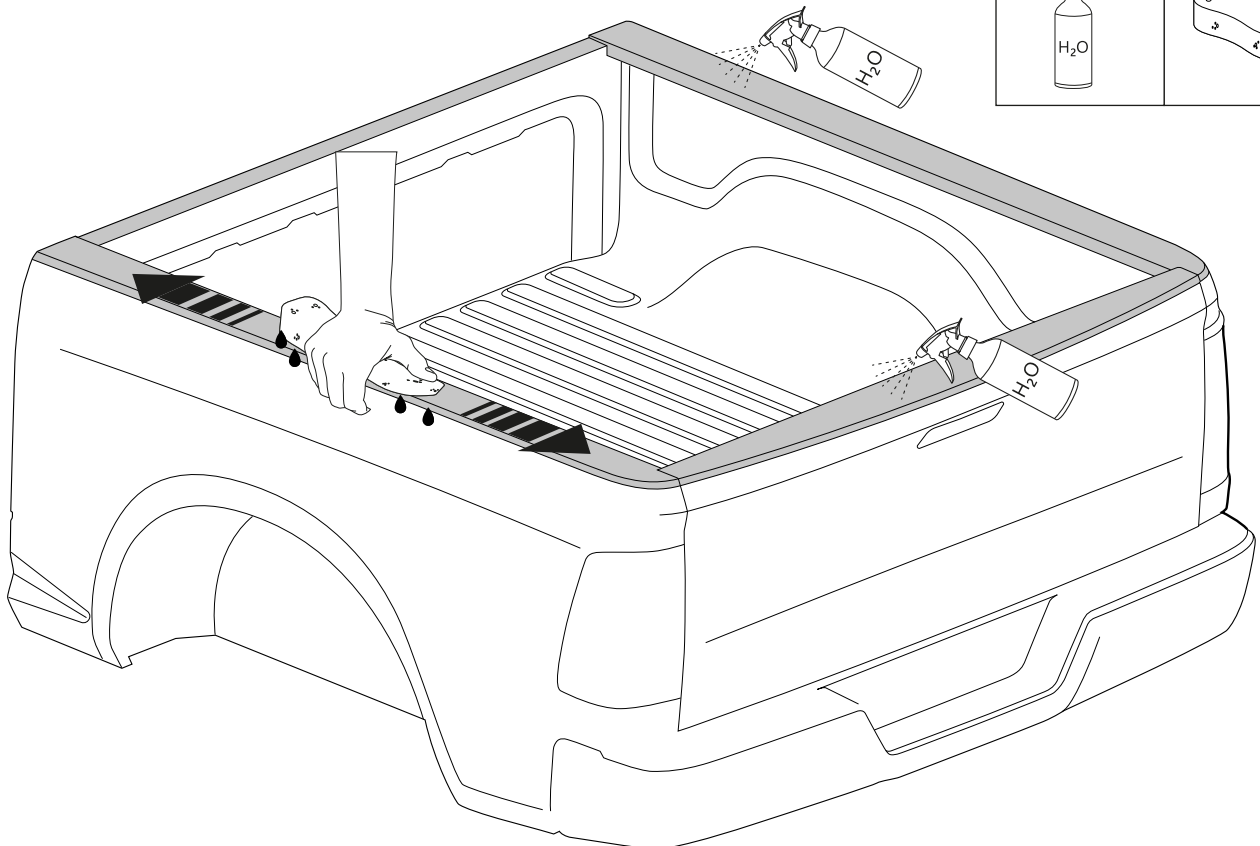
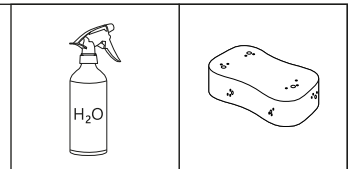
38

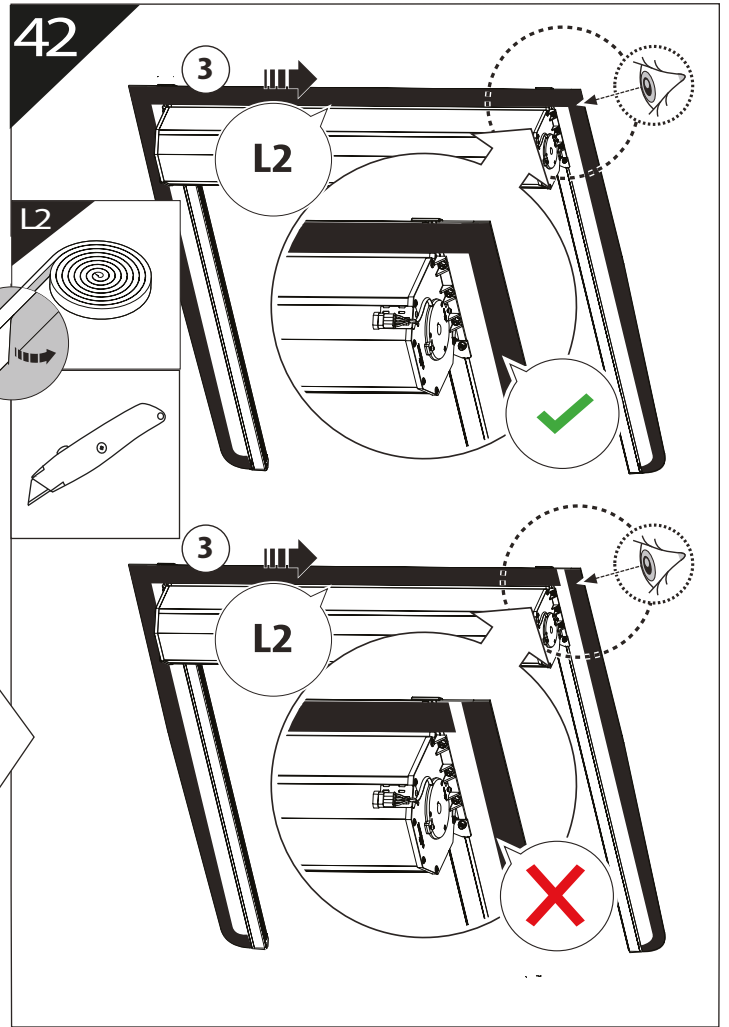
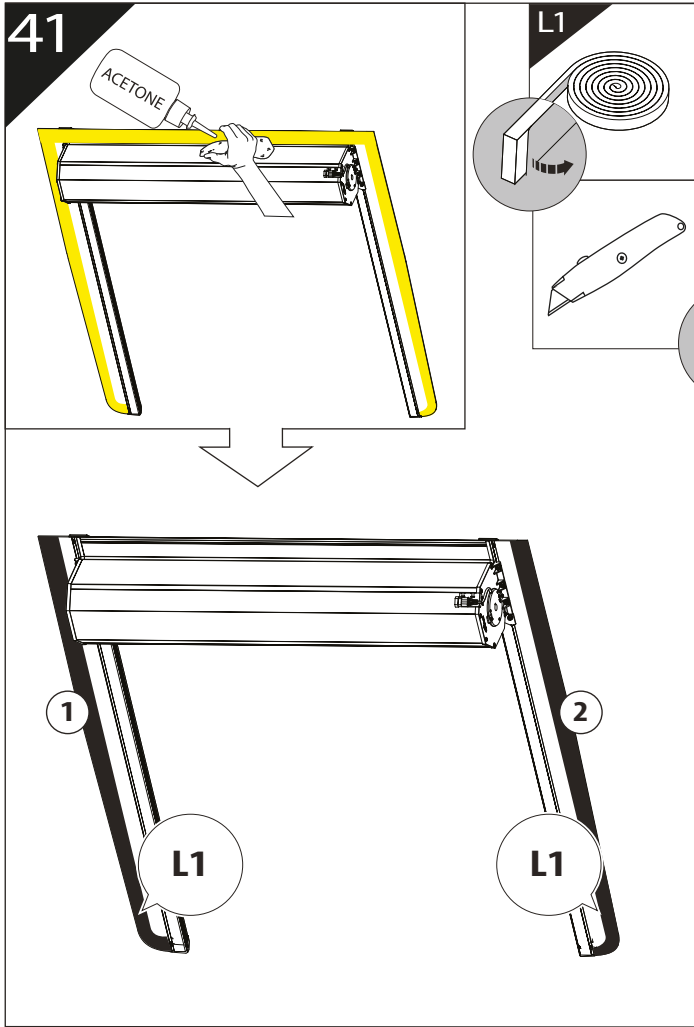


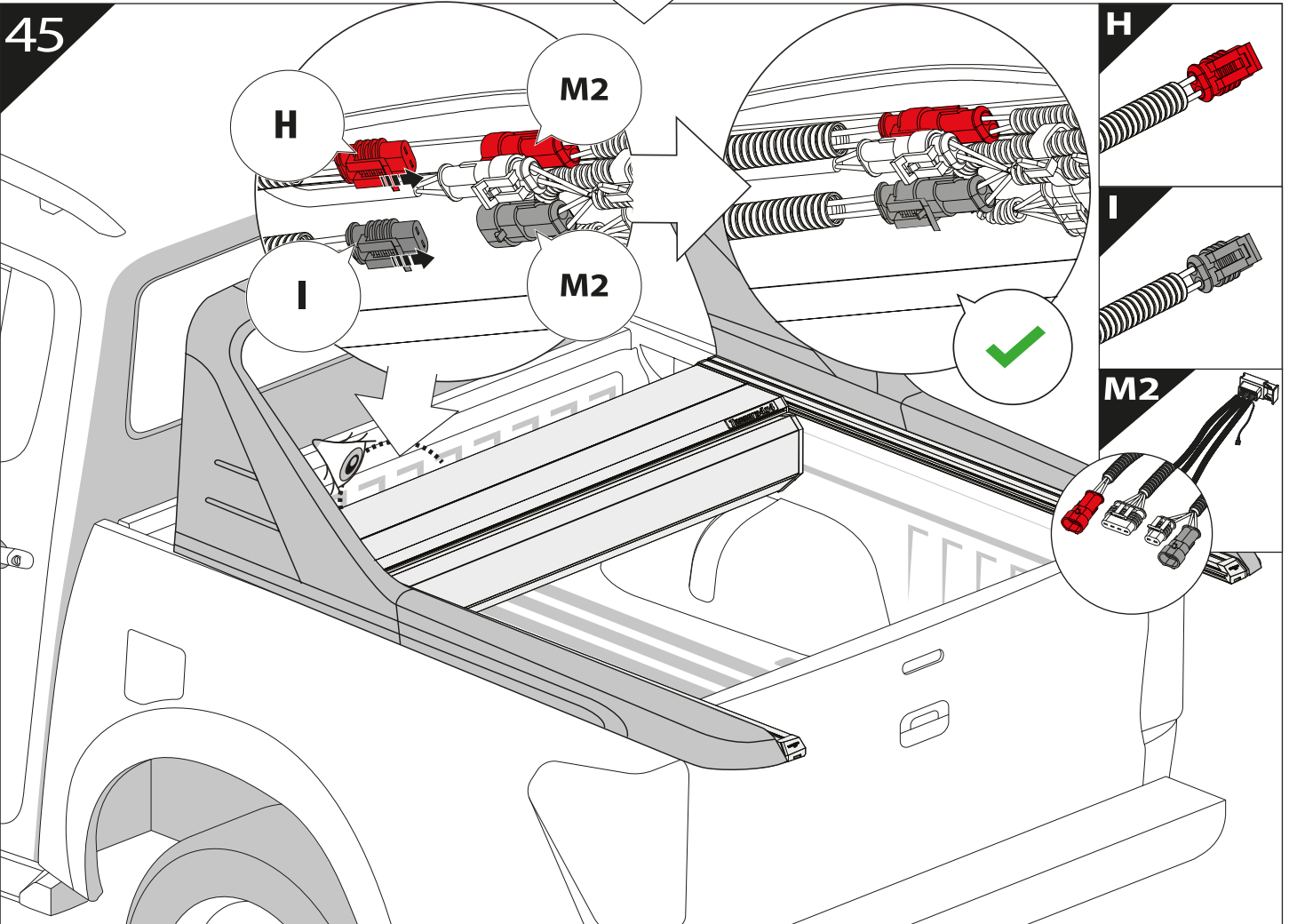
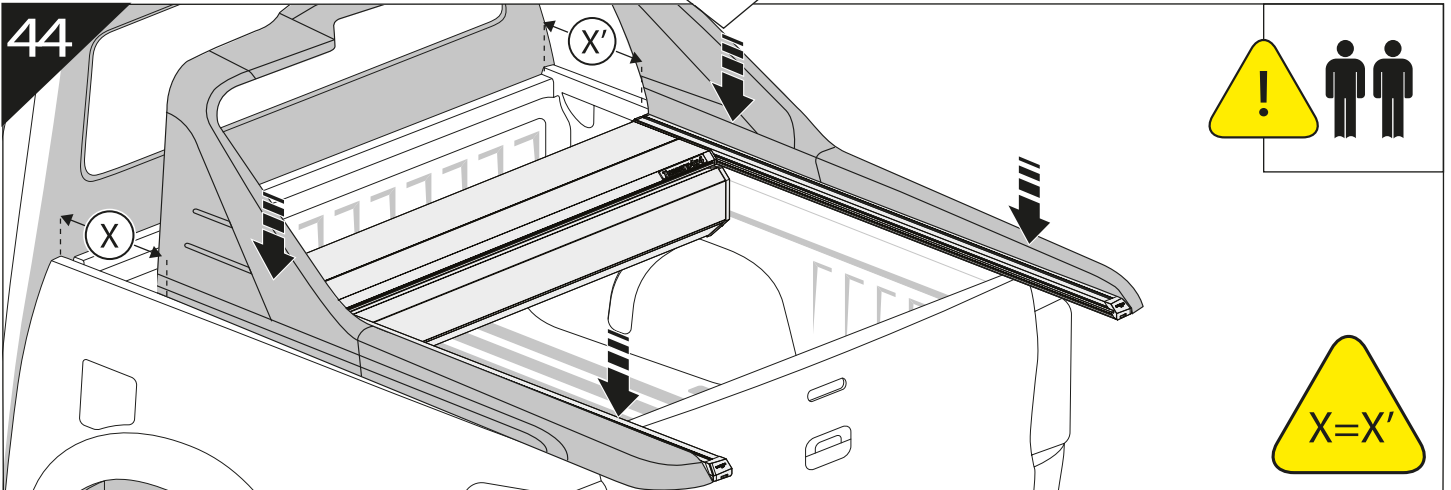
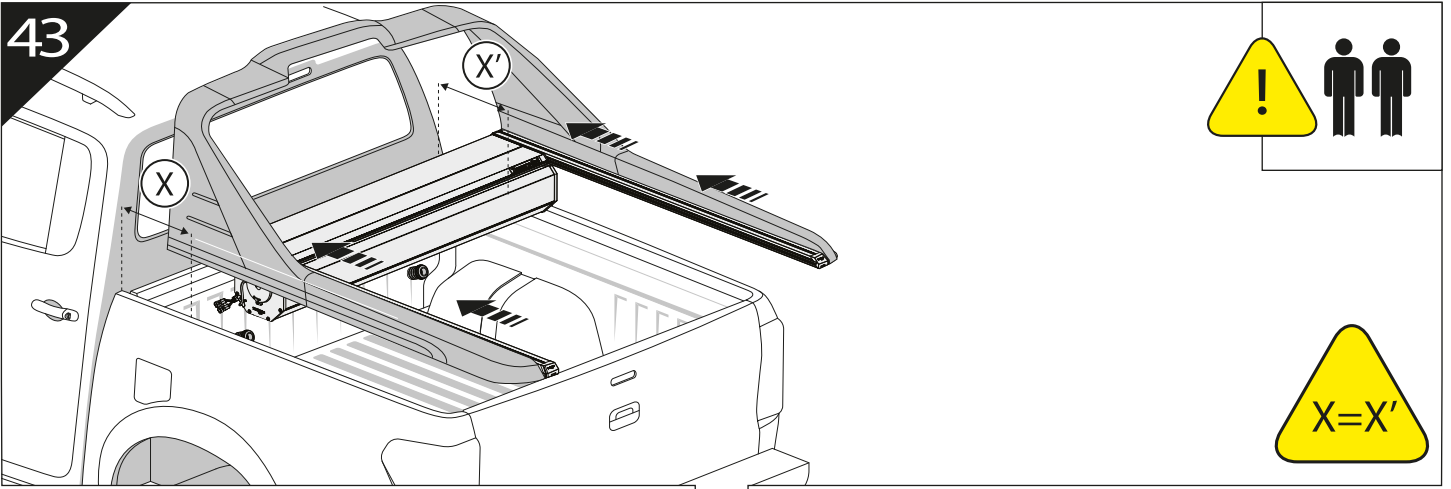
39



40

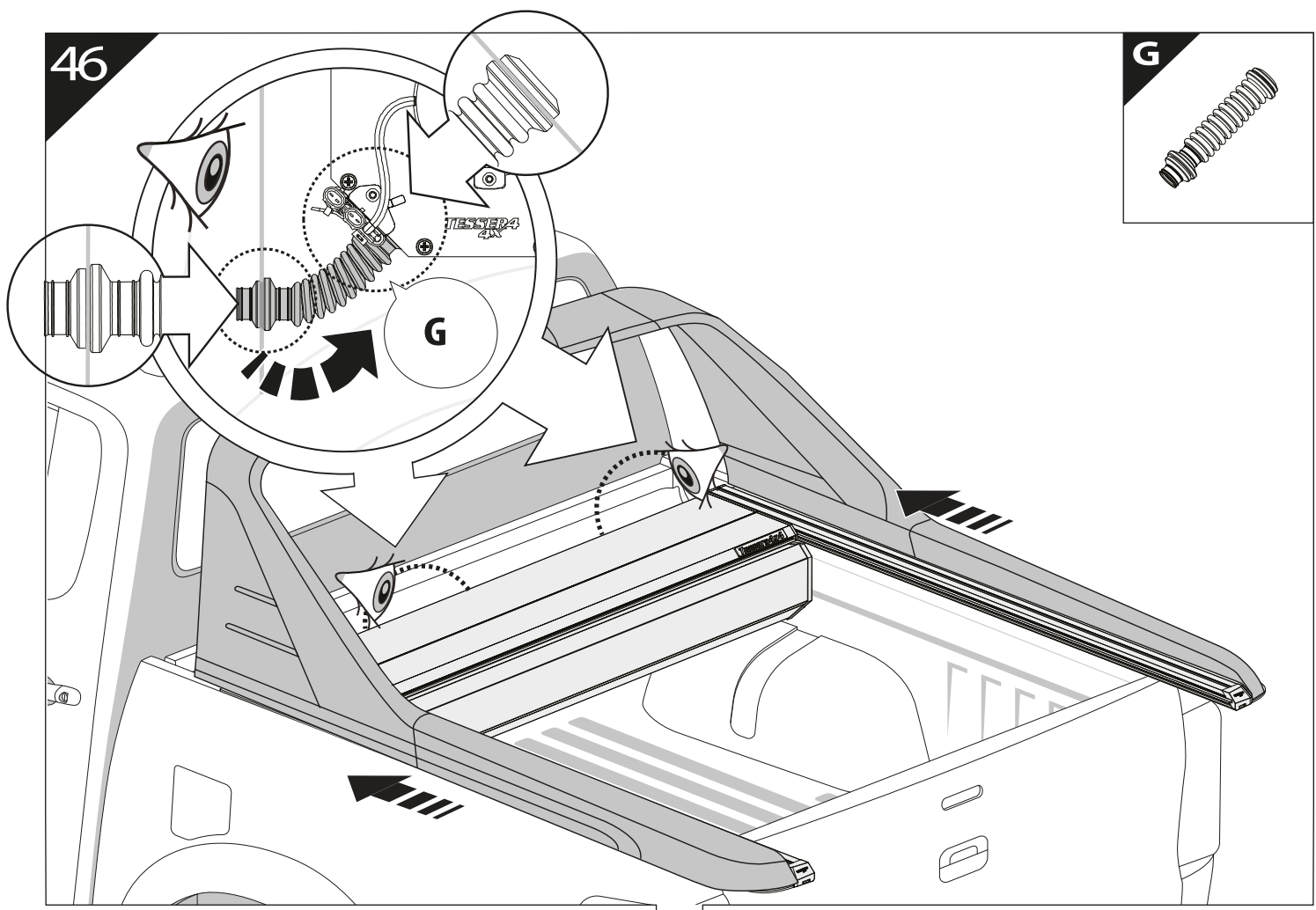




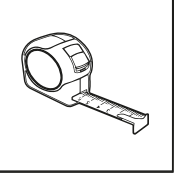
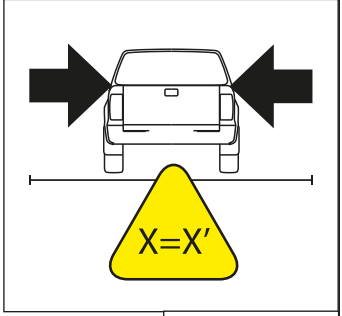
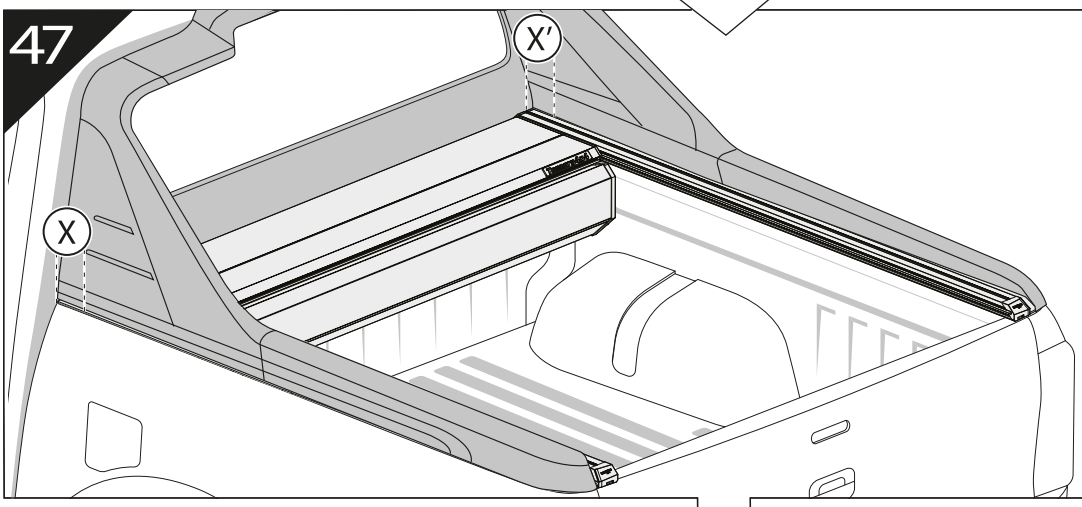


46

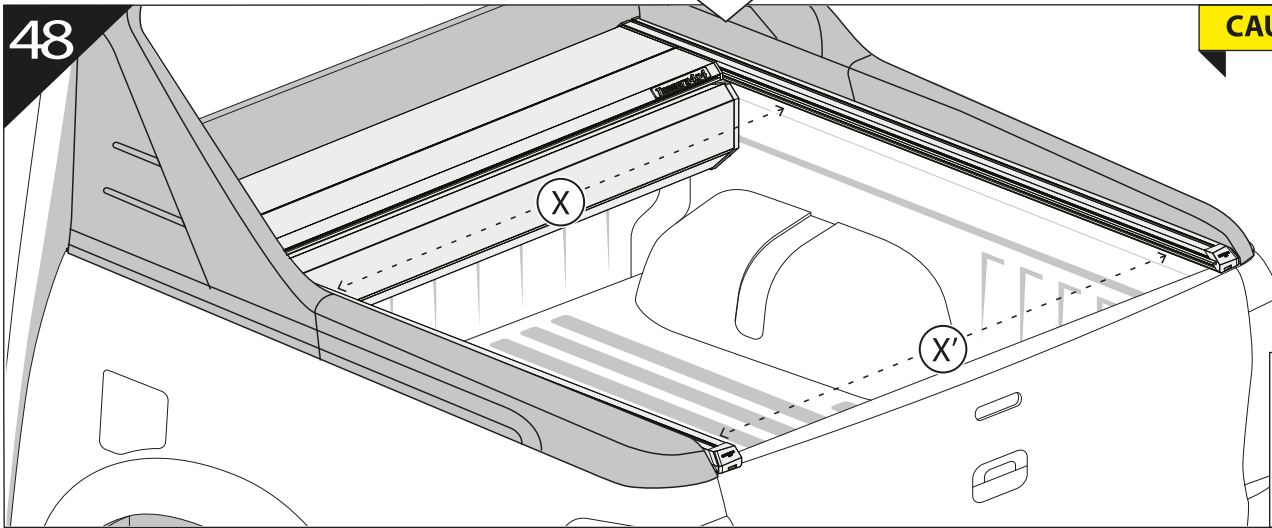
G



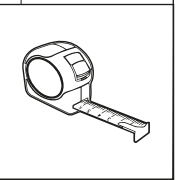
47



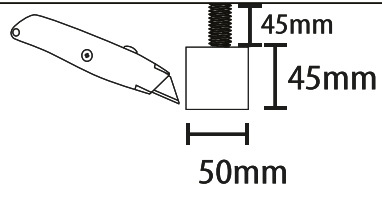
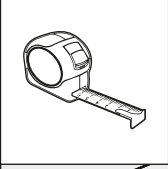
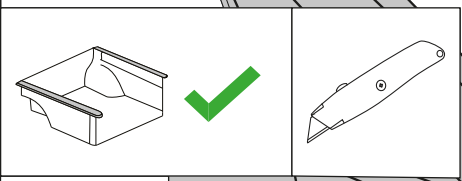
48



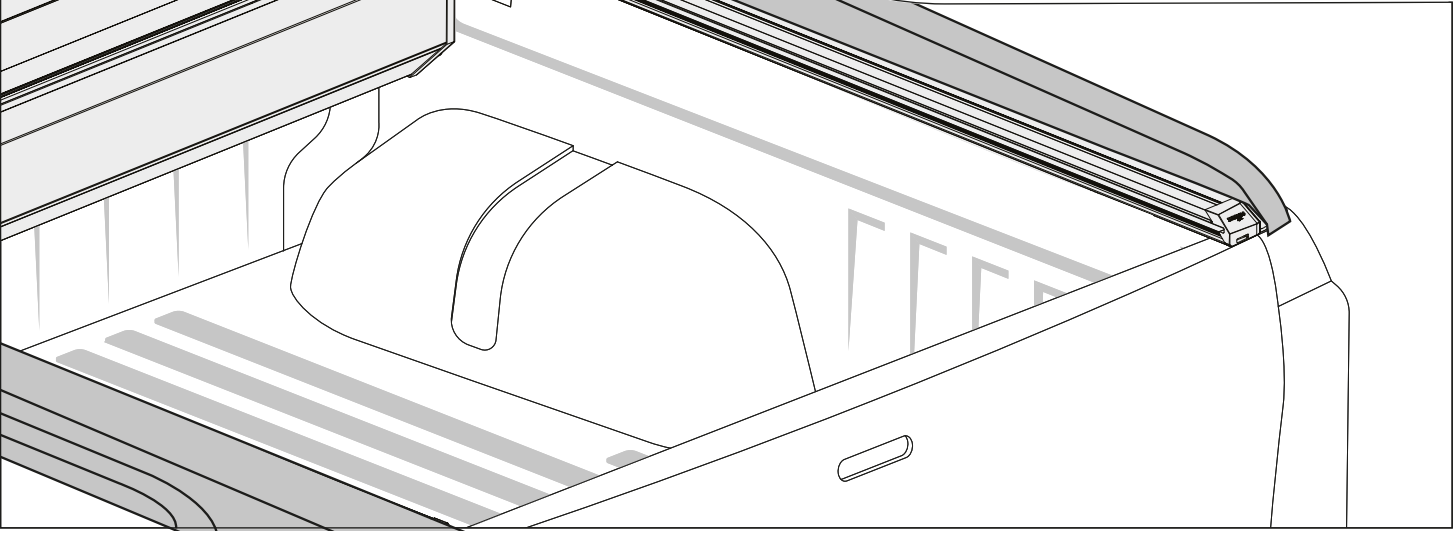
CAUTION !



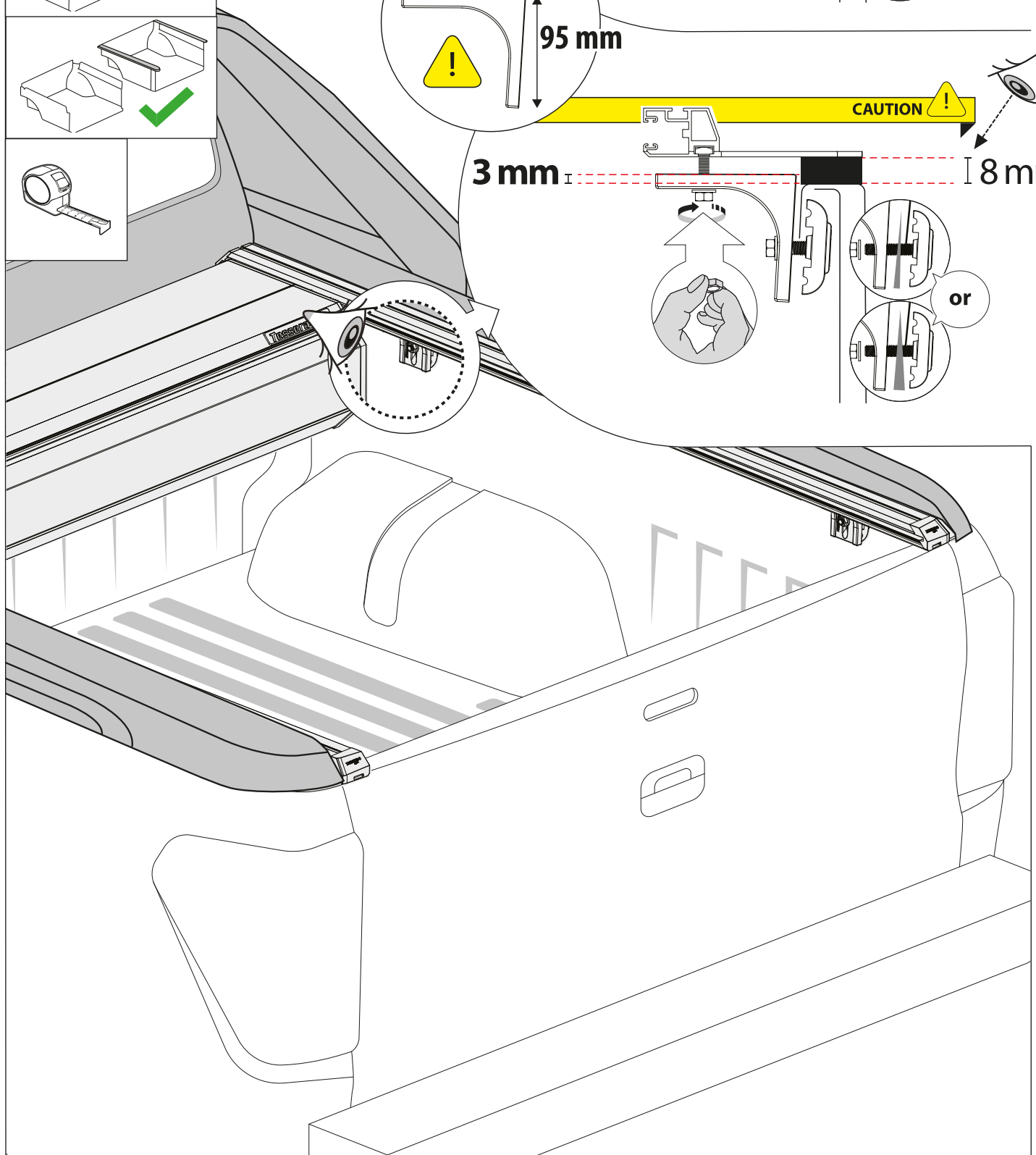
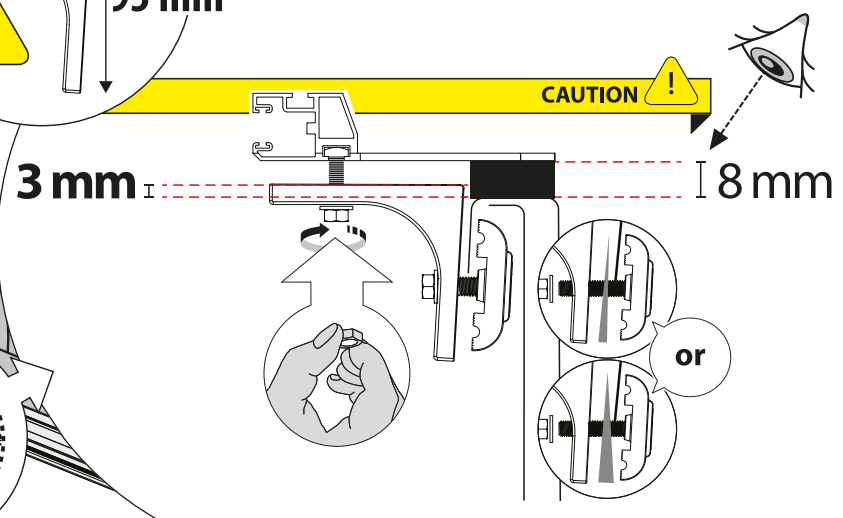
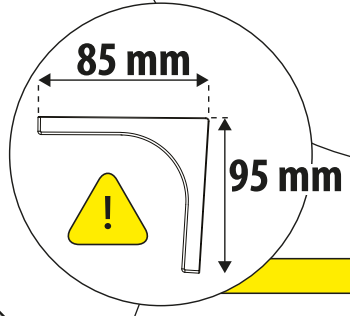
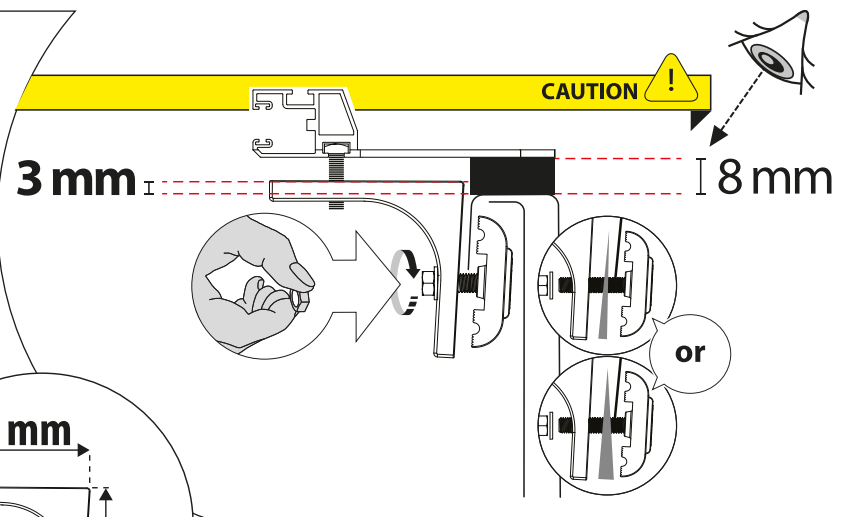
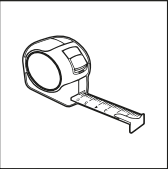
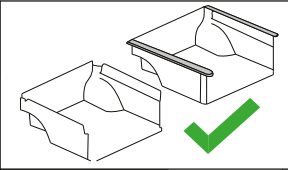
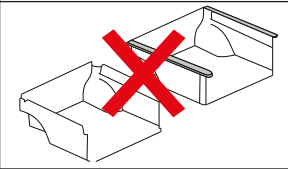
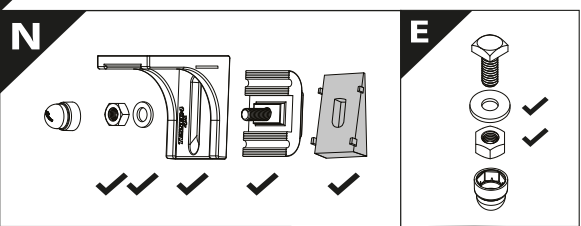
49

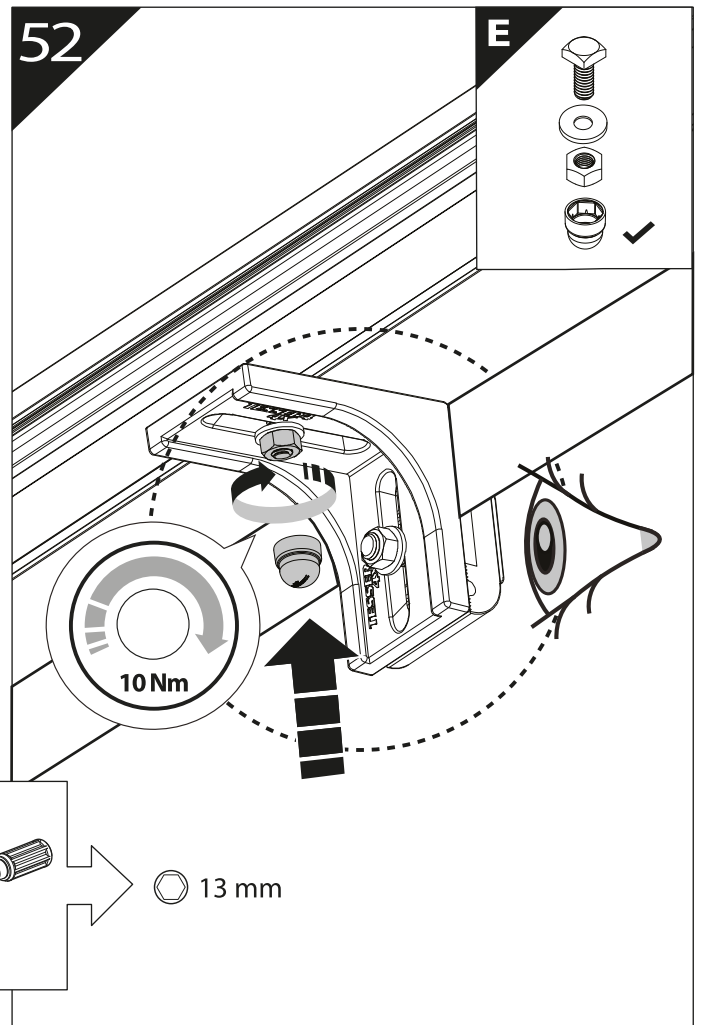
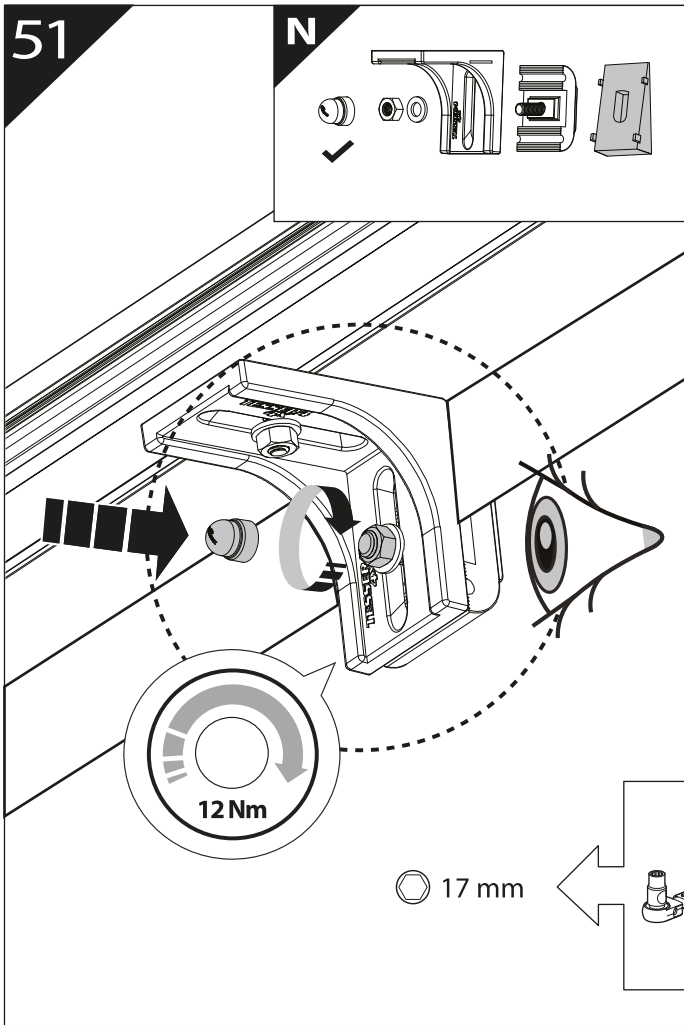


x4

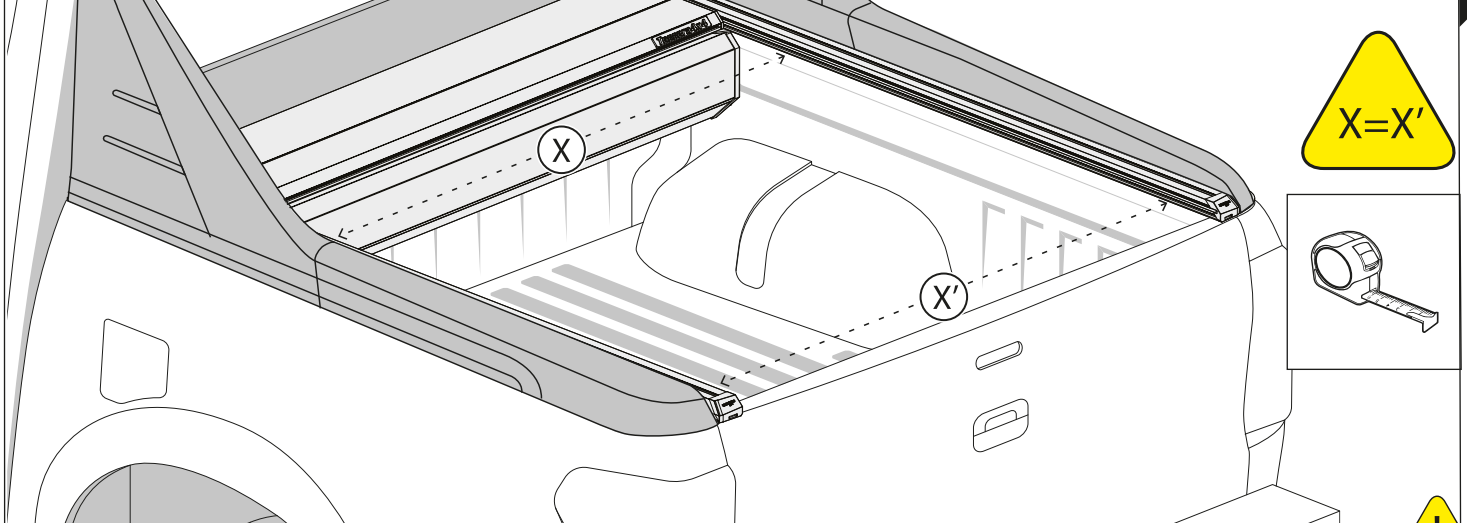


50

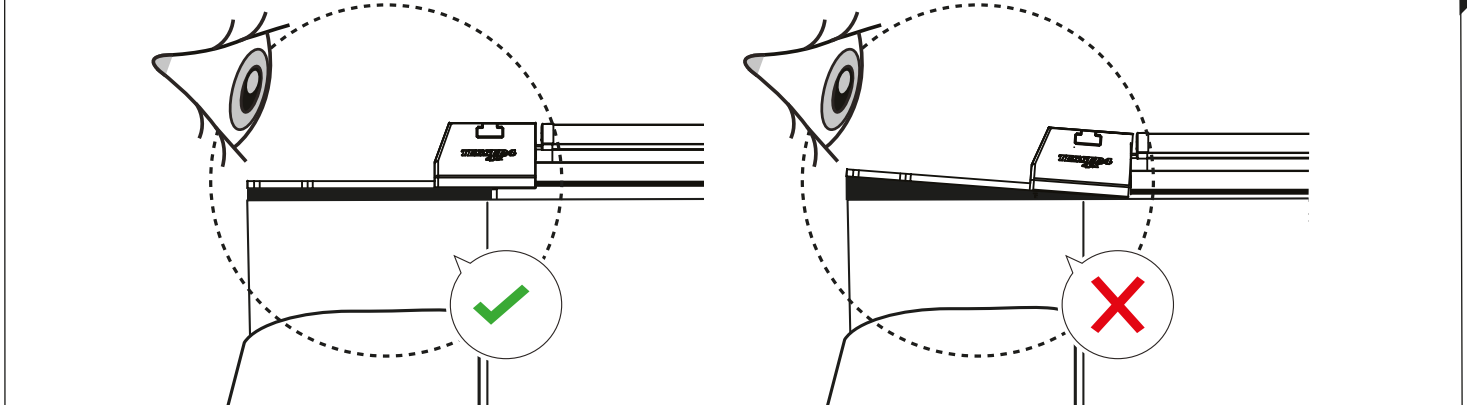


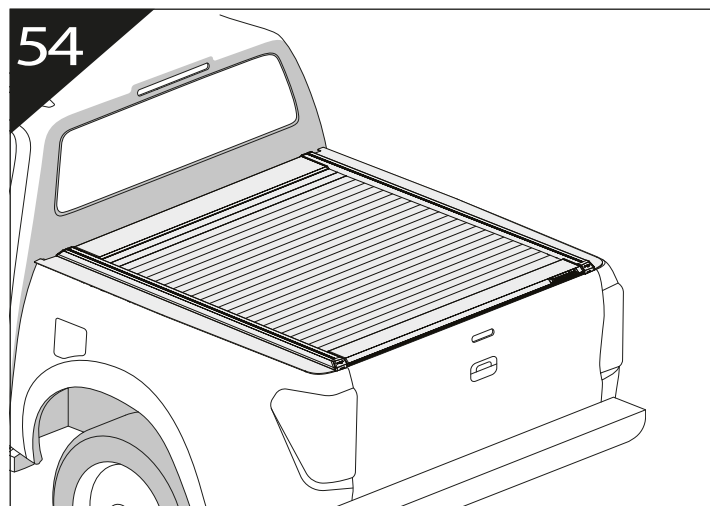
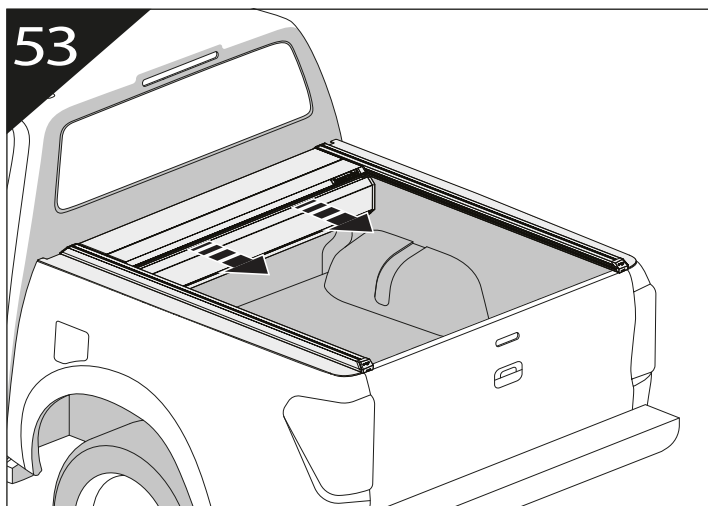


CAUTION !



CAUTION !





GR: Οδηγίες Εγκατάστασης
GB: Installation manual
SF: Asennusohje
F: Notice de montage
PL: Instrukcja montażu
NL: Installatie-instructies
TR: Montaj Talimatı
S: Monteringsanvisning
E: Instrucciones de montaje

H: Szerelési utasítás
P: Instruções de instalação
RUS: Инструкция по установке
N: Monteringsveiledning
D: Einbauanleitung
CZ: Návod k instalaci
I: Istruzioni de montaggio
DK: Monteringsvejledning
RO: Instructiuni de instalare

Customer Service:

+30 (210) 5541161, +30 (210) 5541154 (08:00 - 16:00 EET)

Support department:

info@gianso.gr

Website:

www.tessera4x4.com

Address:

19.5 km of National road Athens-Korinthos (Elefsina) Greece, P.C: 19200