

# Tessera Roll+

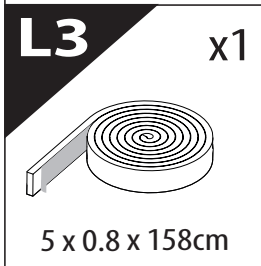
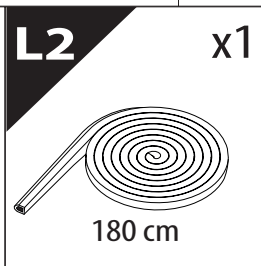
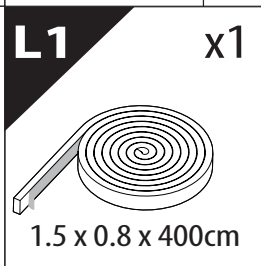
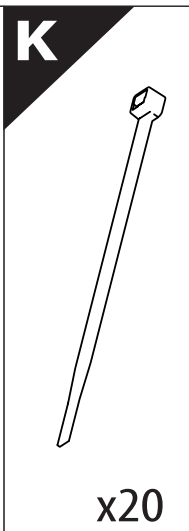
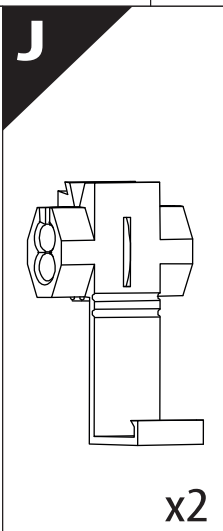
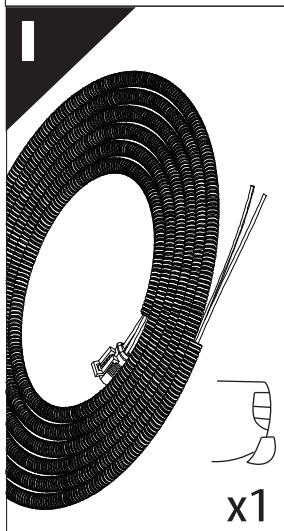
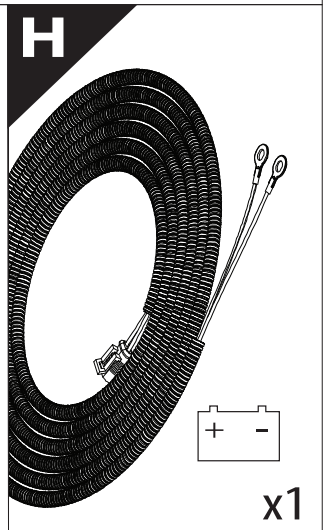
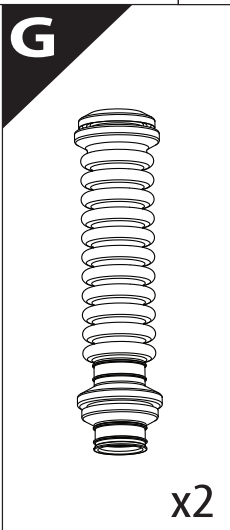
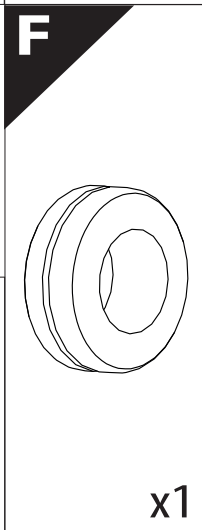
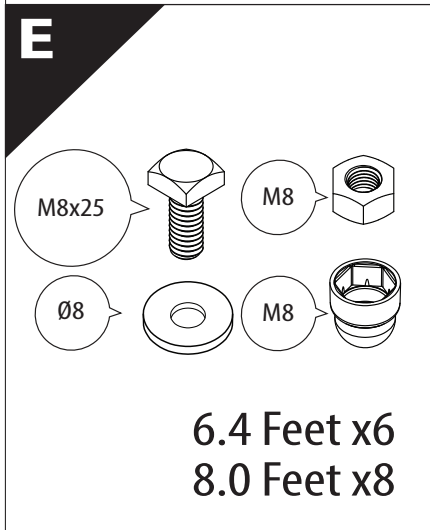
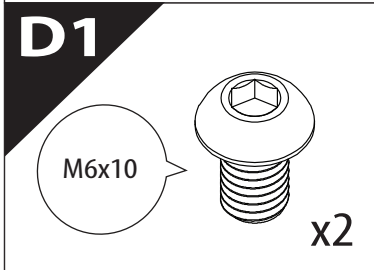
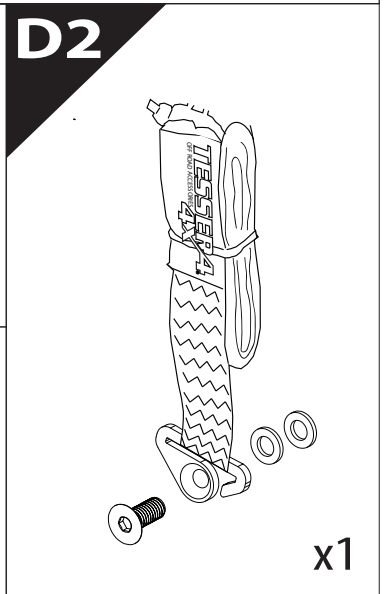
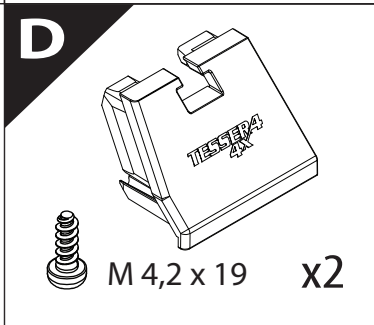
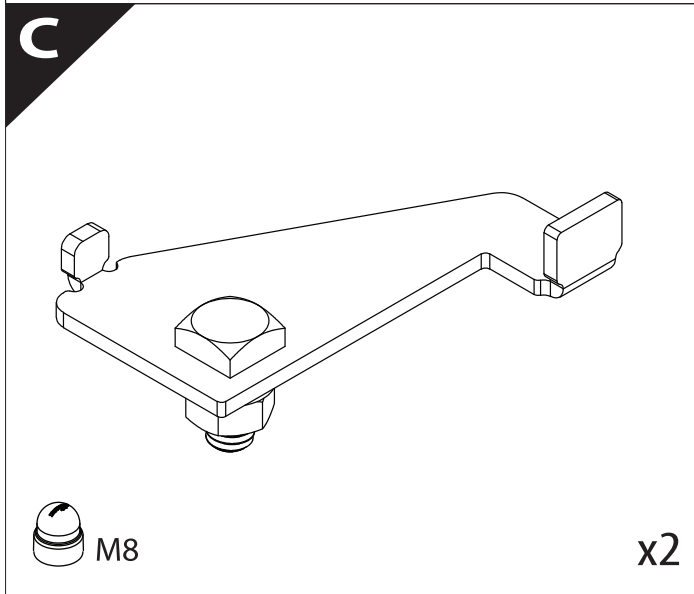
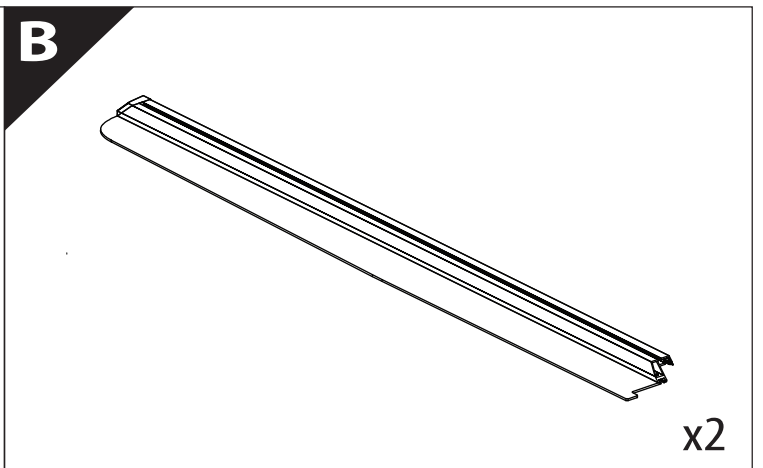
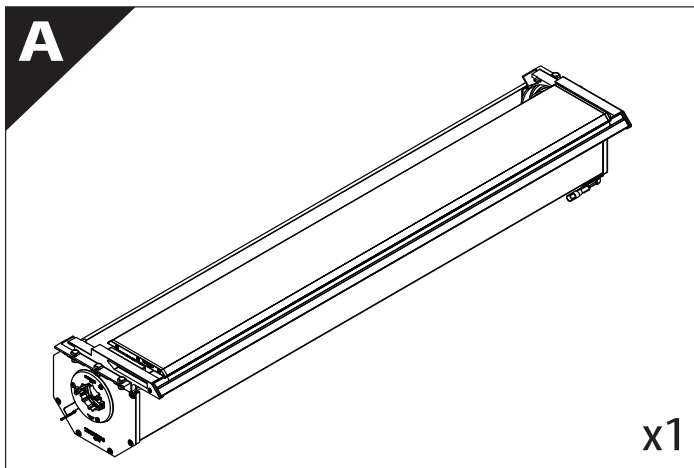
Basic Version + ⚡ E-KIT



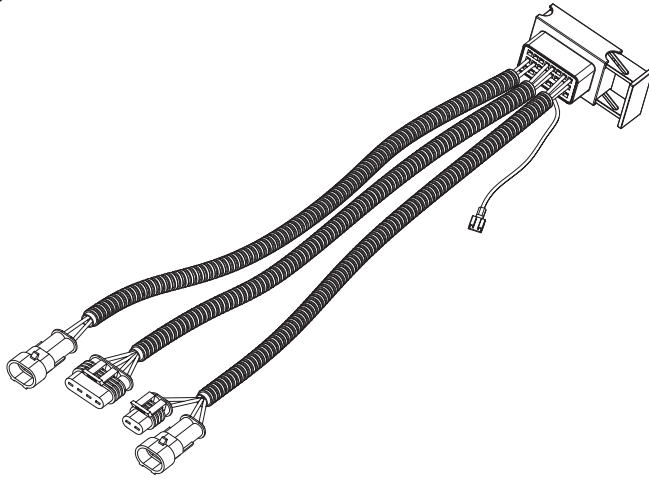
## Installation Manual

PART NUMBER(S)	Model Year
TESS 1438 ROLL +E-KIT	Dodge Ram 2500 / 3500 2019+
TESS 14381 ROLL +E-KIT	
FEET	Installation Time / Weight
6.4 Feet & 8 Feet	40-60 minutes / 53-57 kg



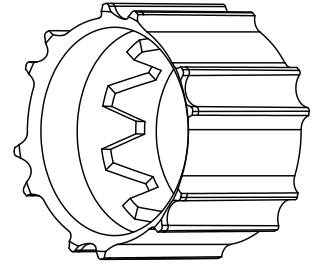


**M2**



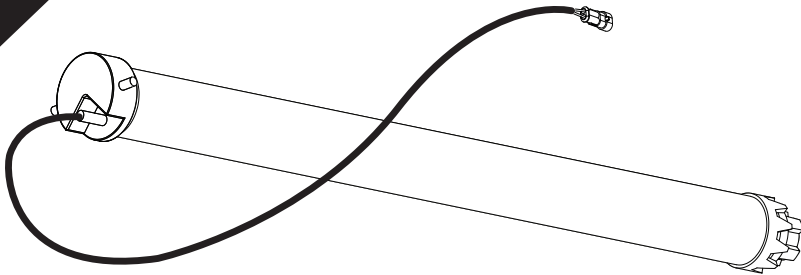
x1

**N**



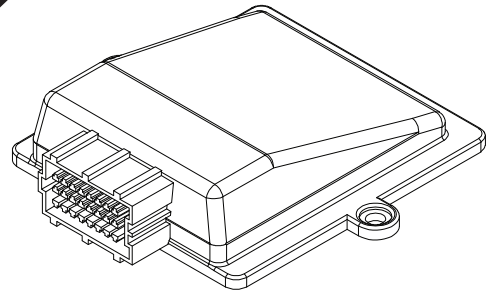
x1

**O**



x1

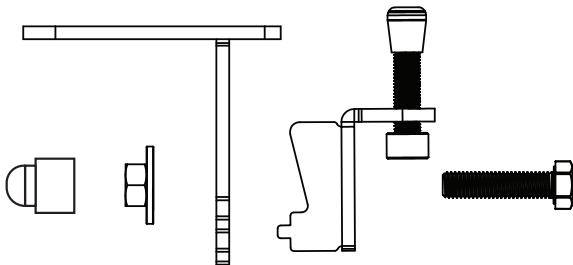
**P**



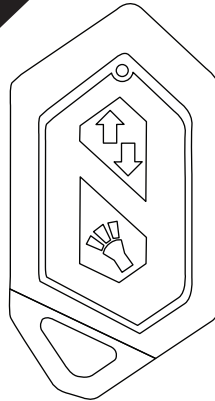
x1

**Q**

6.4 Feet x6  
8.0 Feet x8



**R**

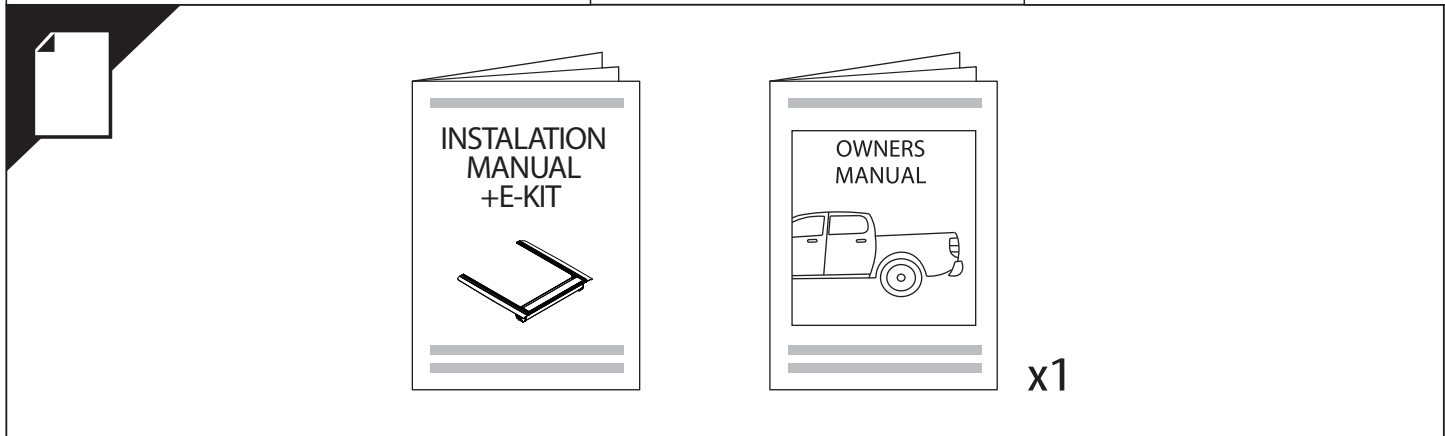
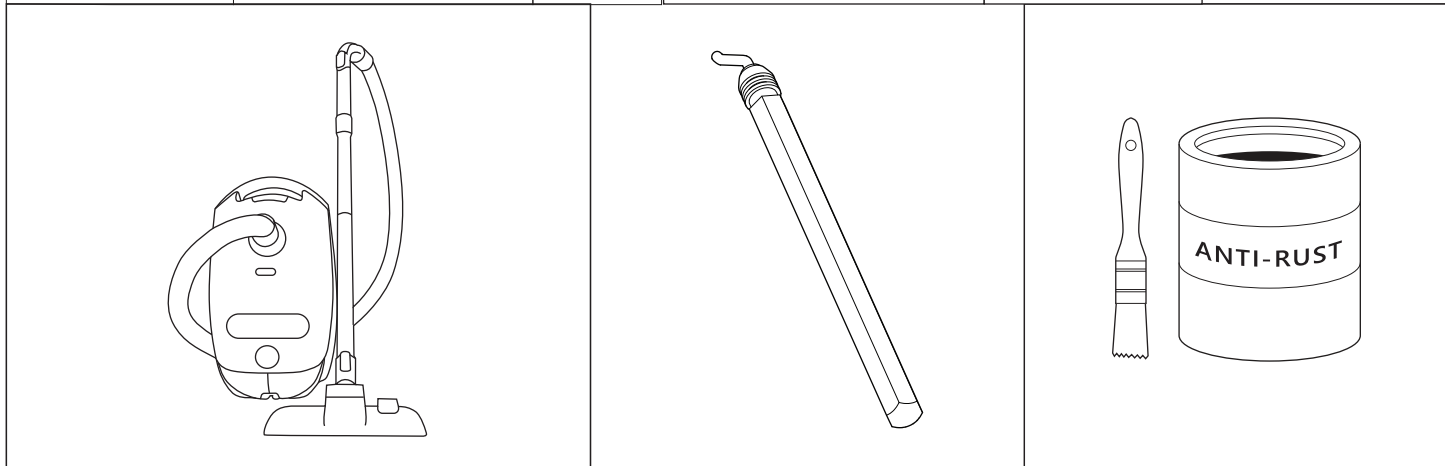
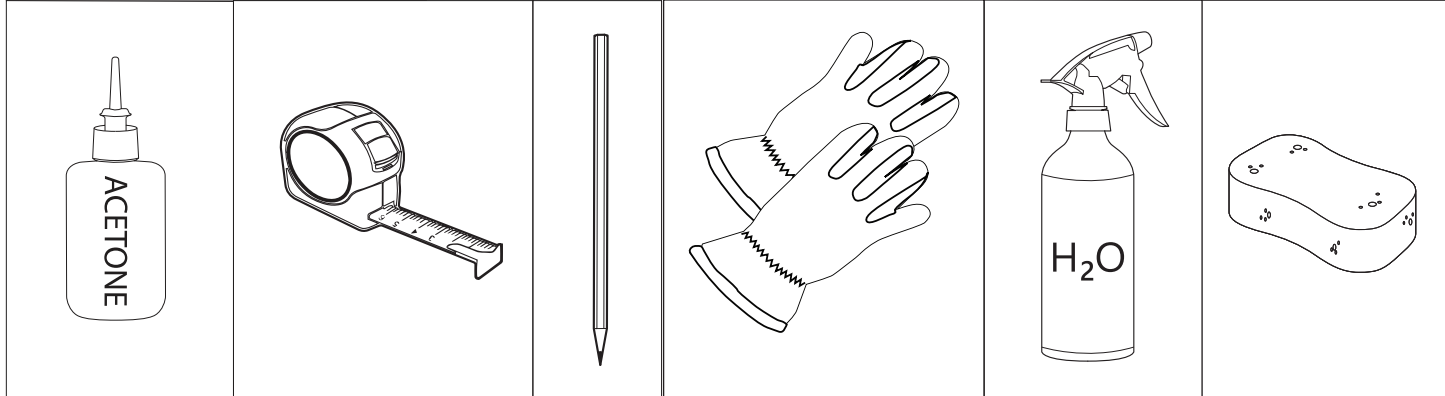
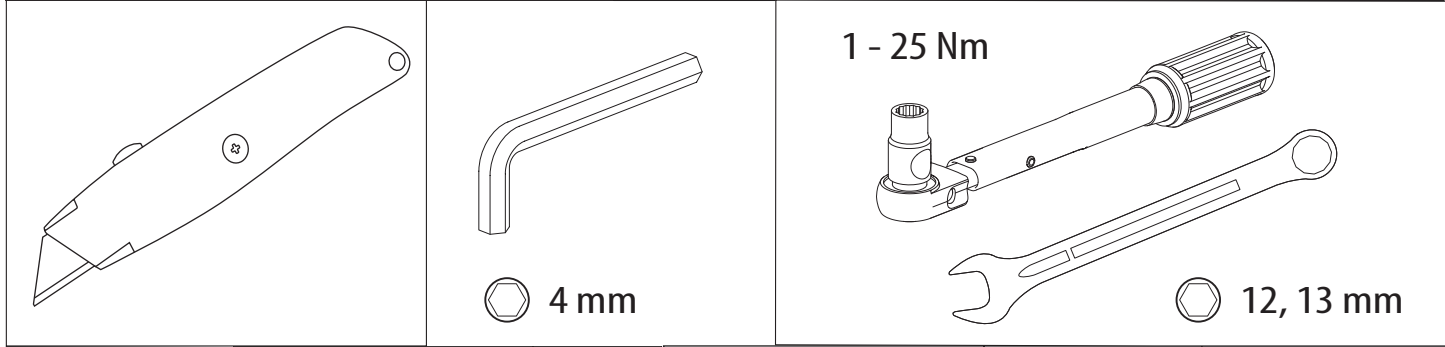
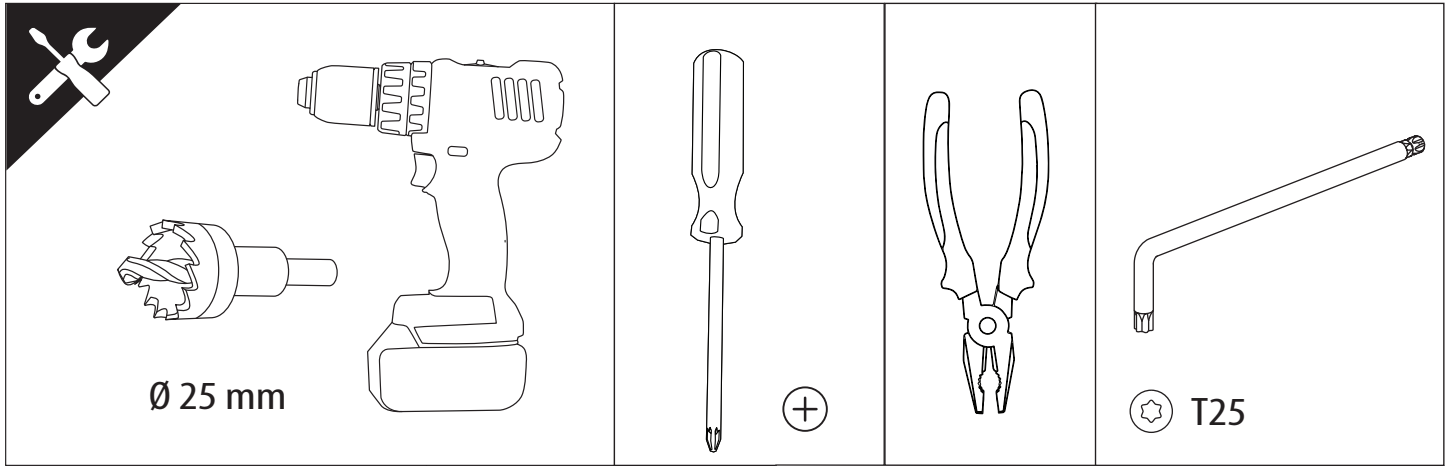


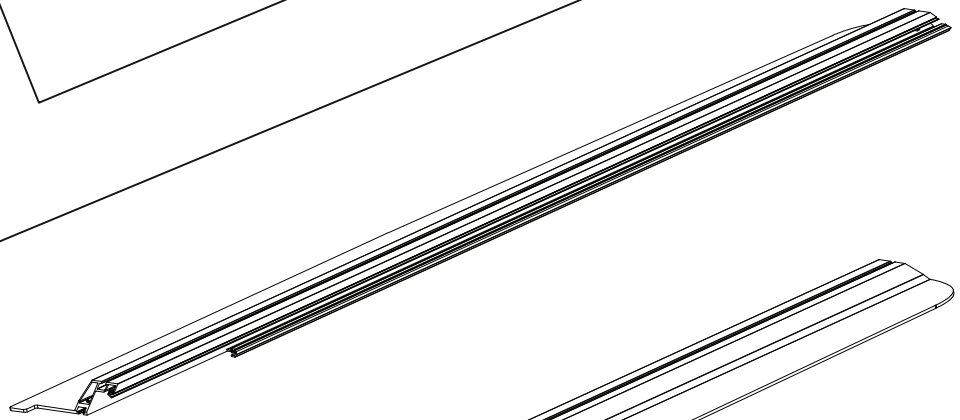
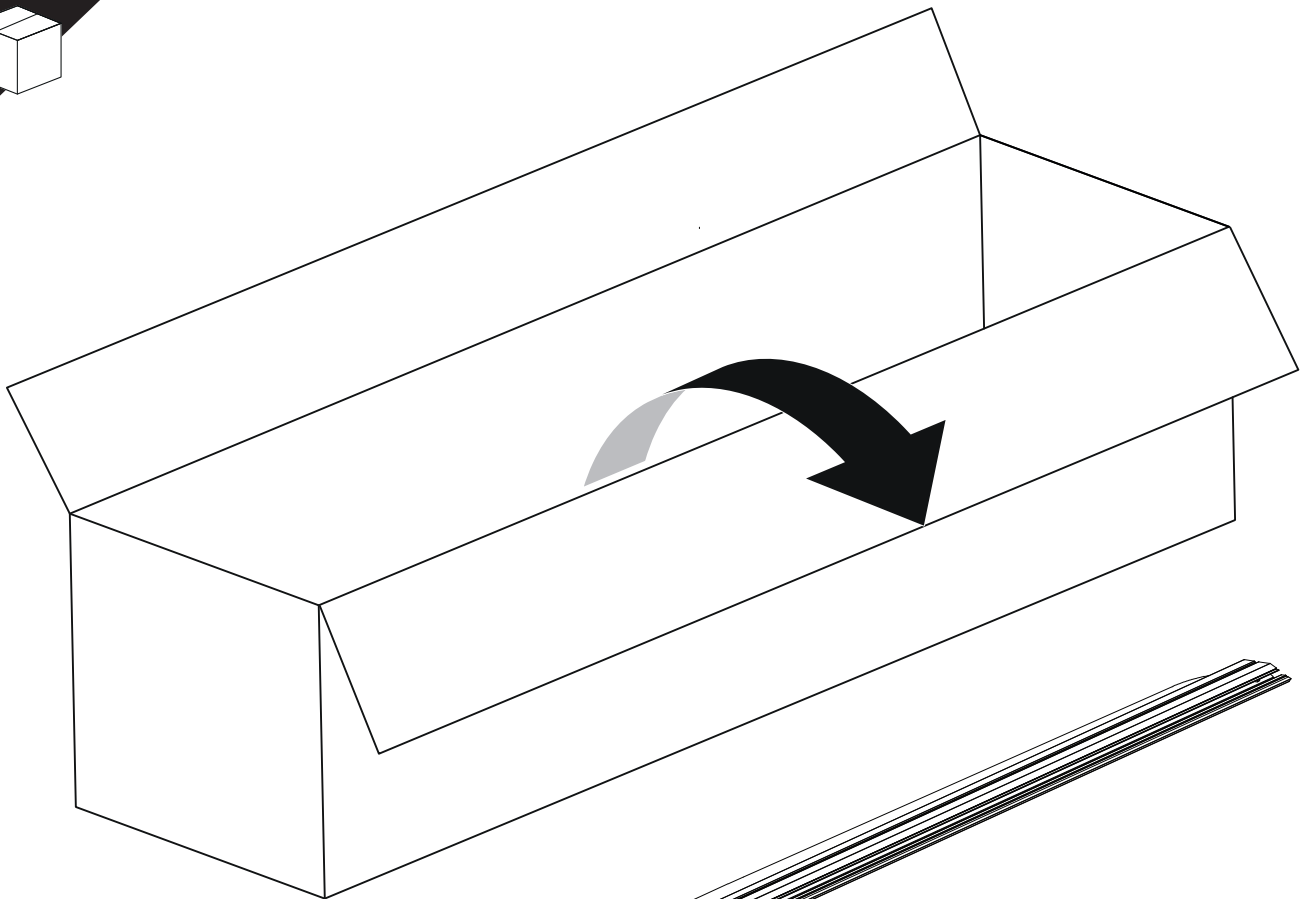
x2

**S**

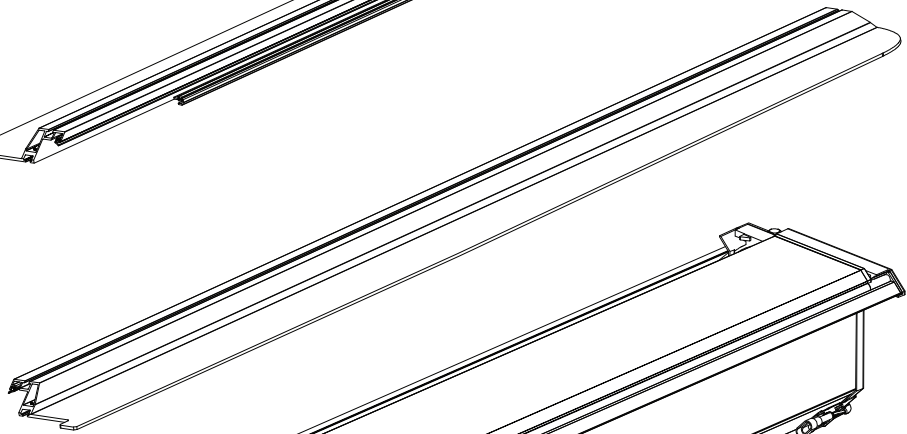


x2

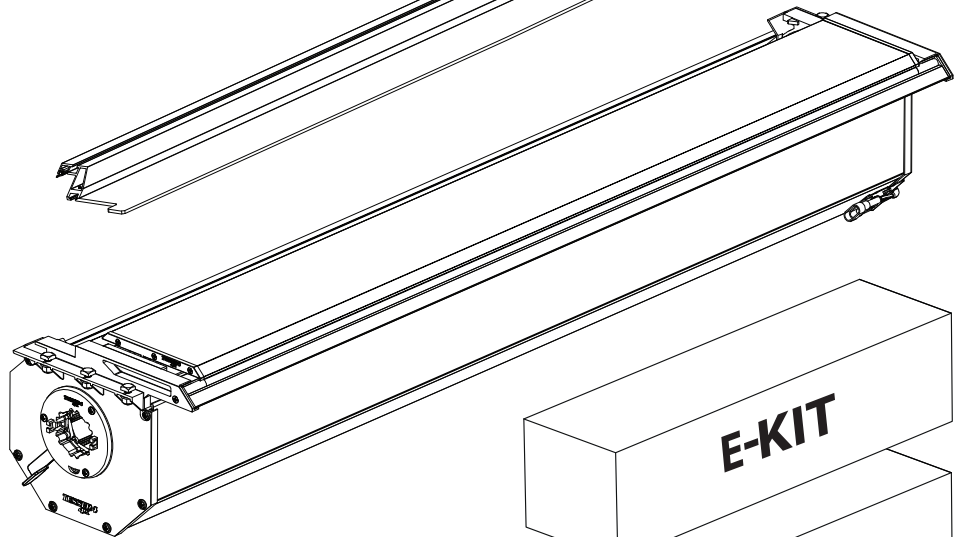




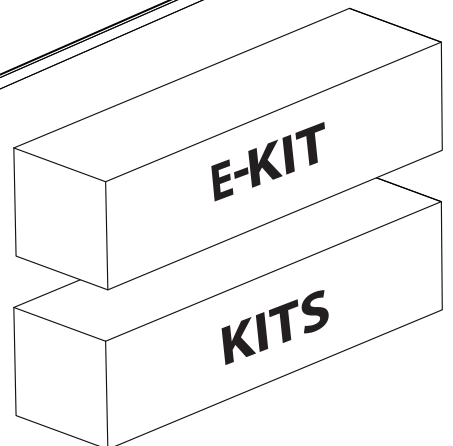
**B**



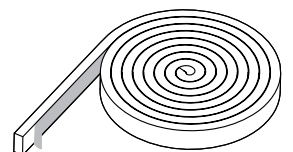
**A**

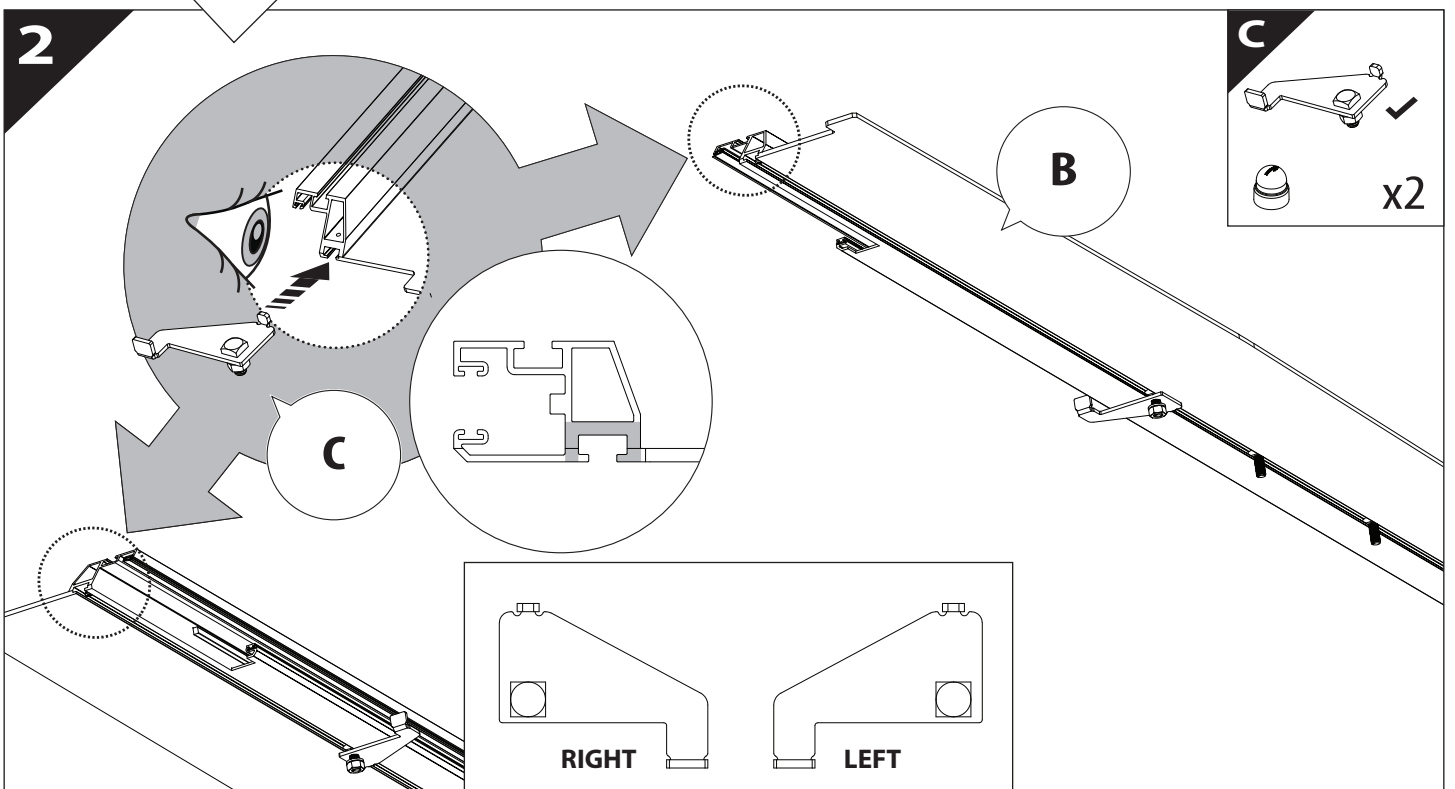
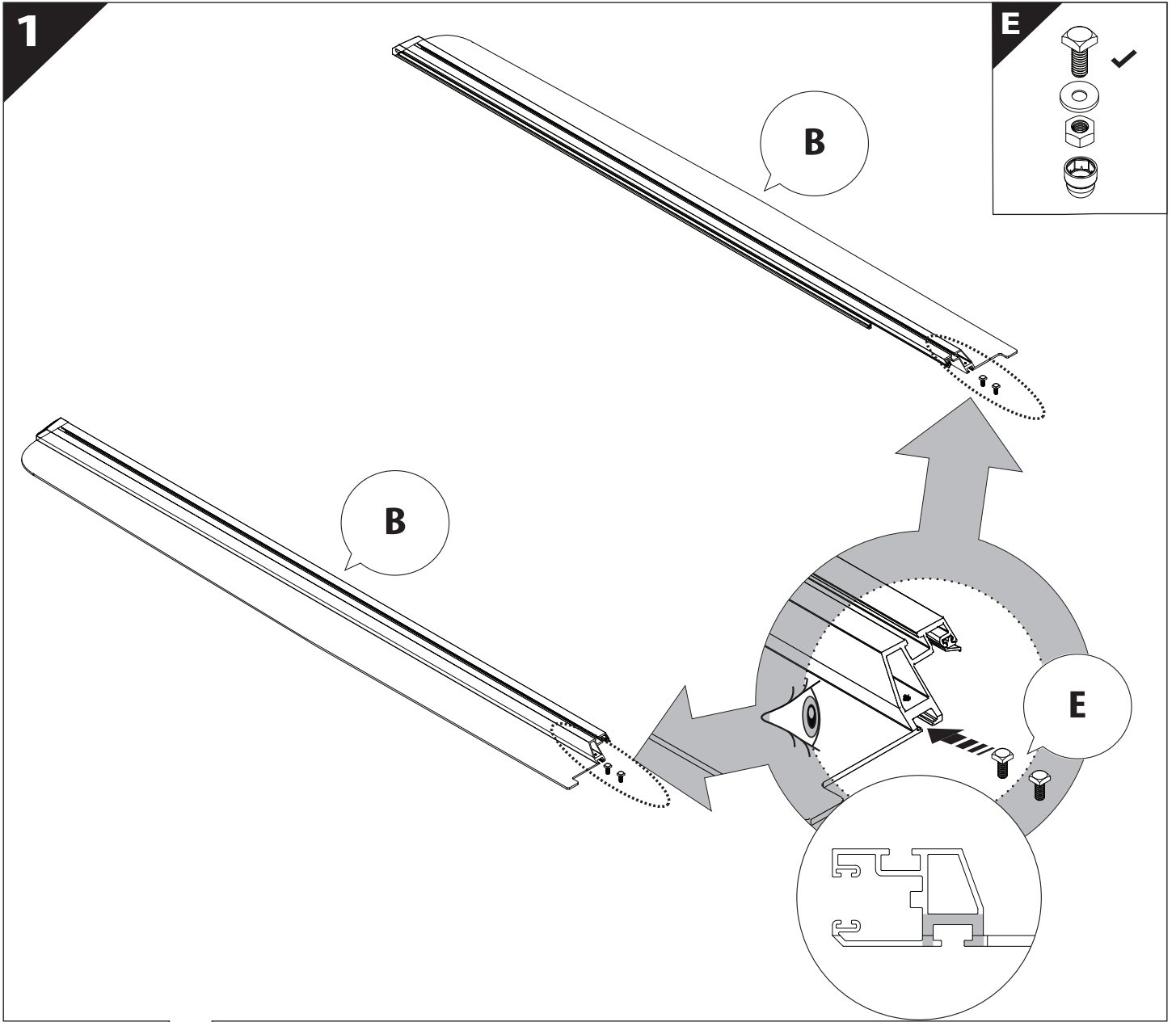


**KITS**

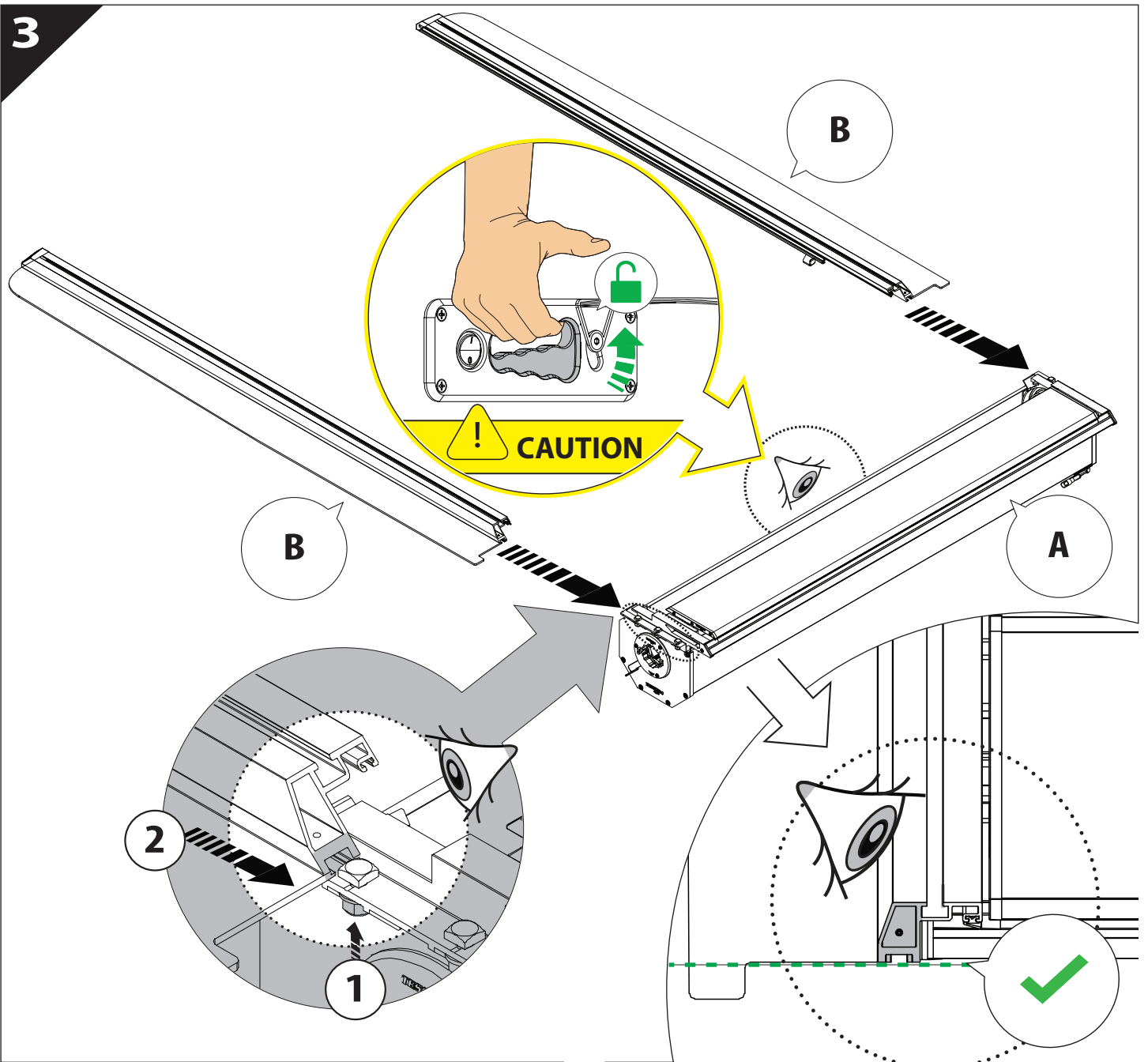


**L**

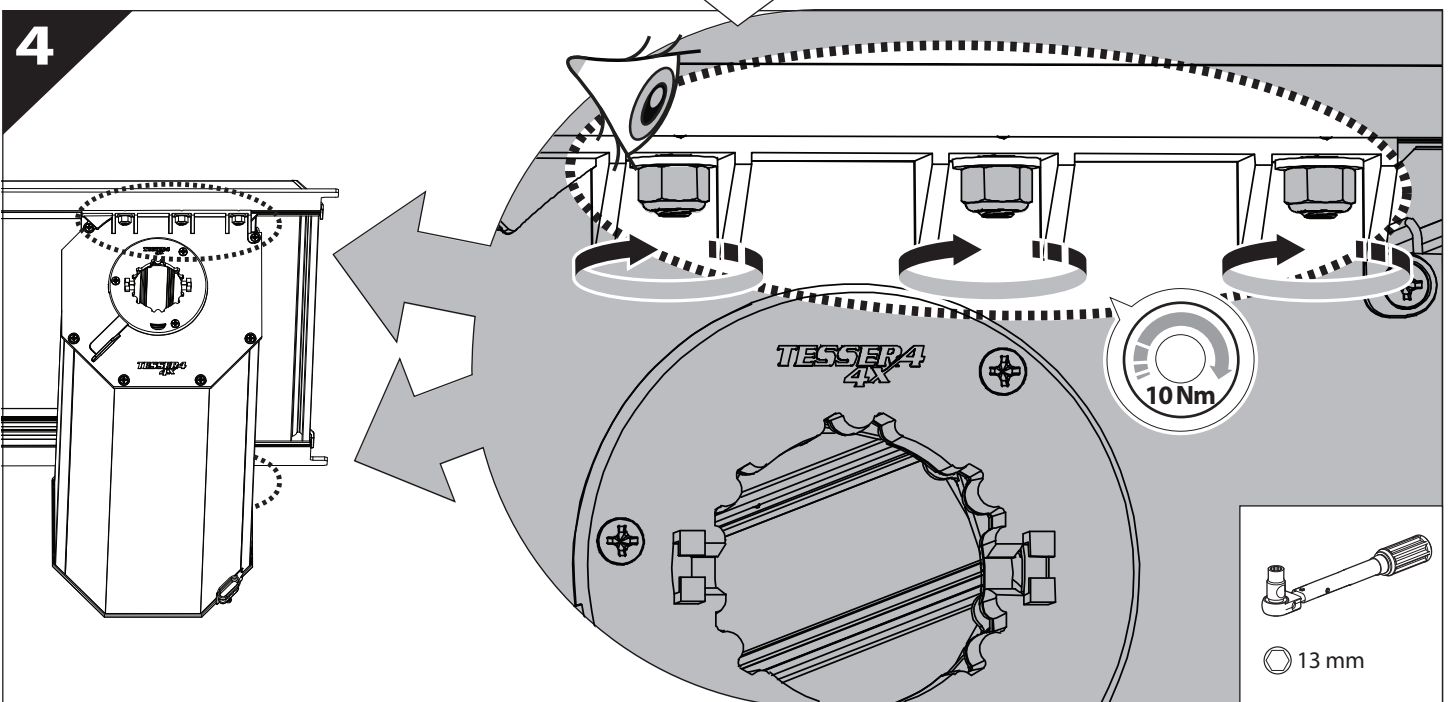


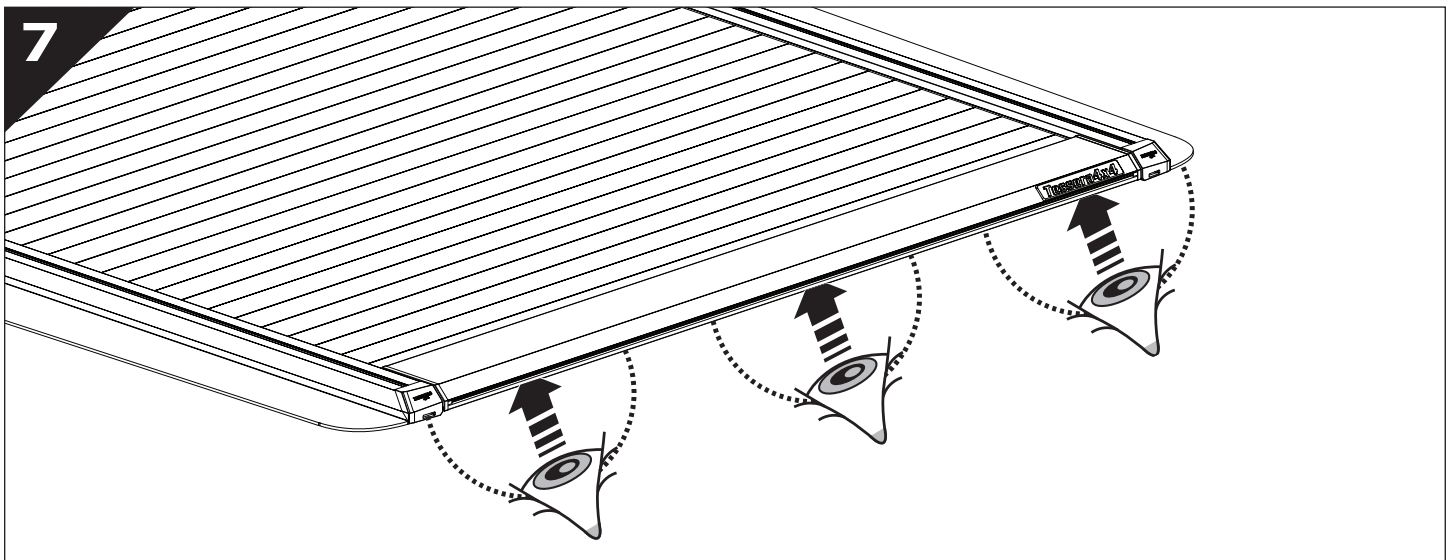
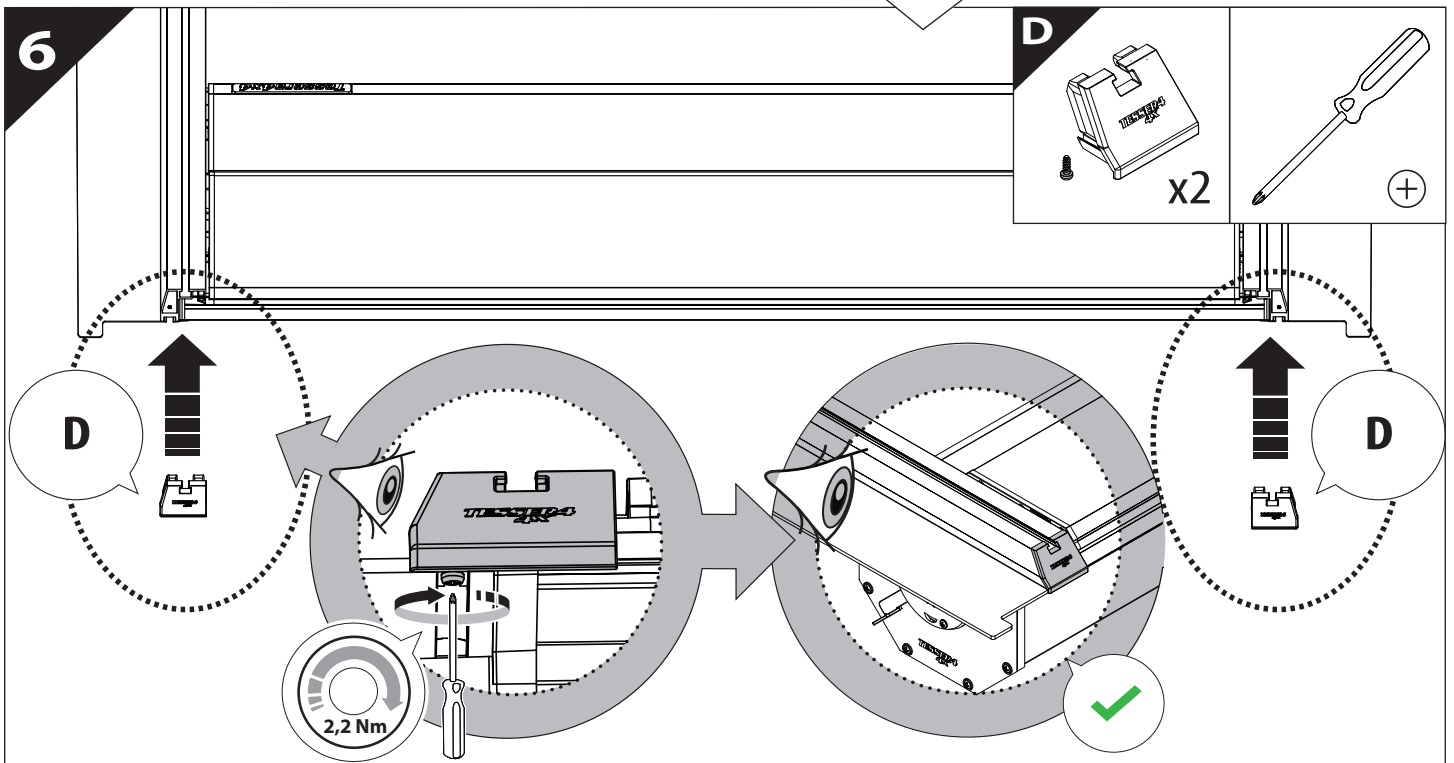
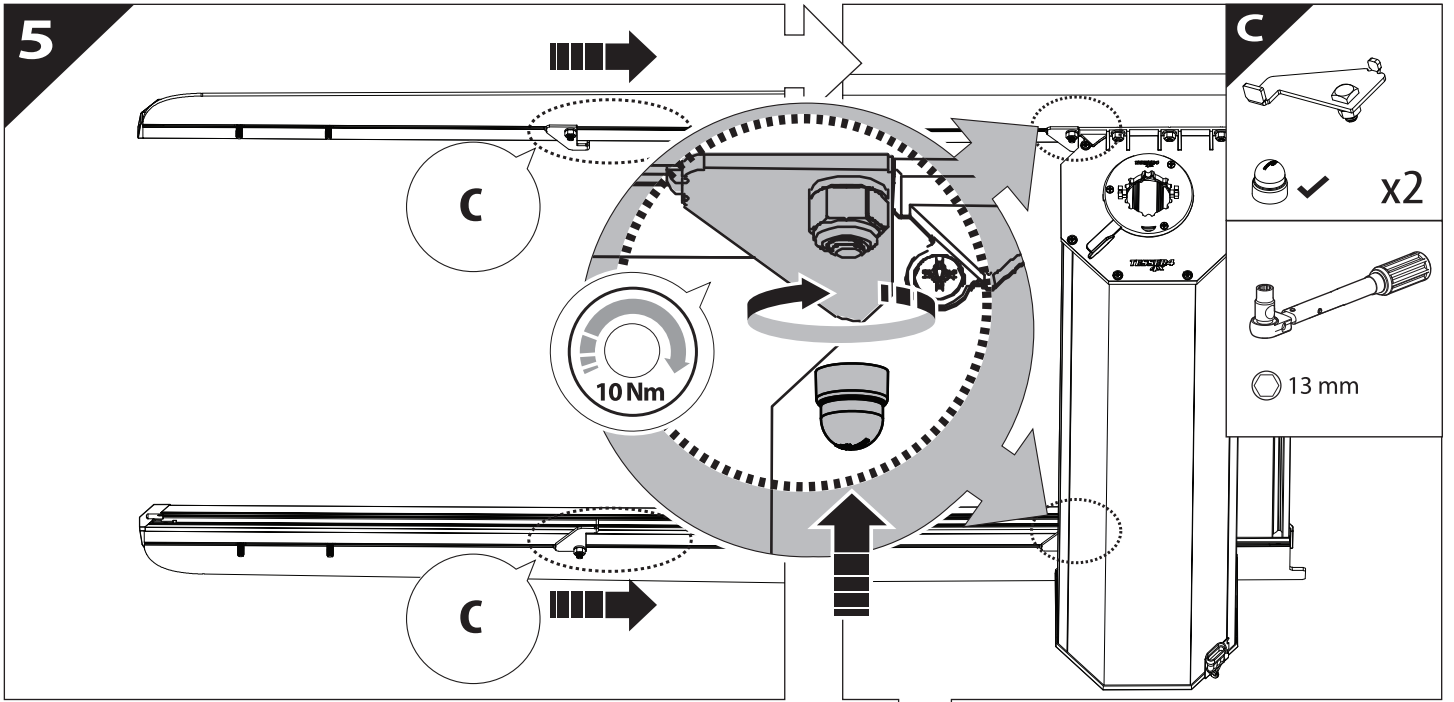


3

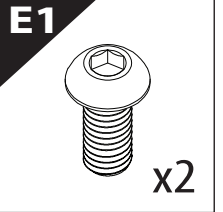
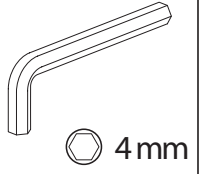
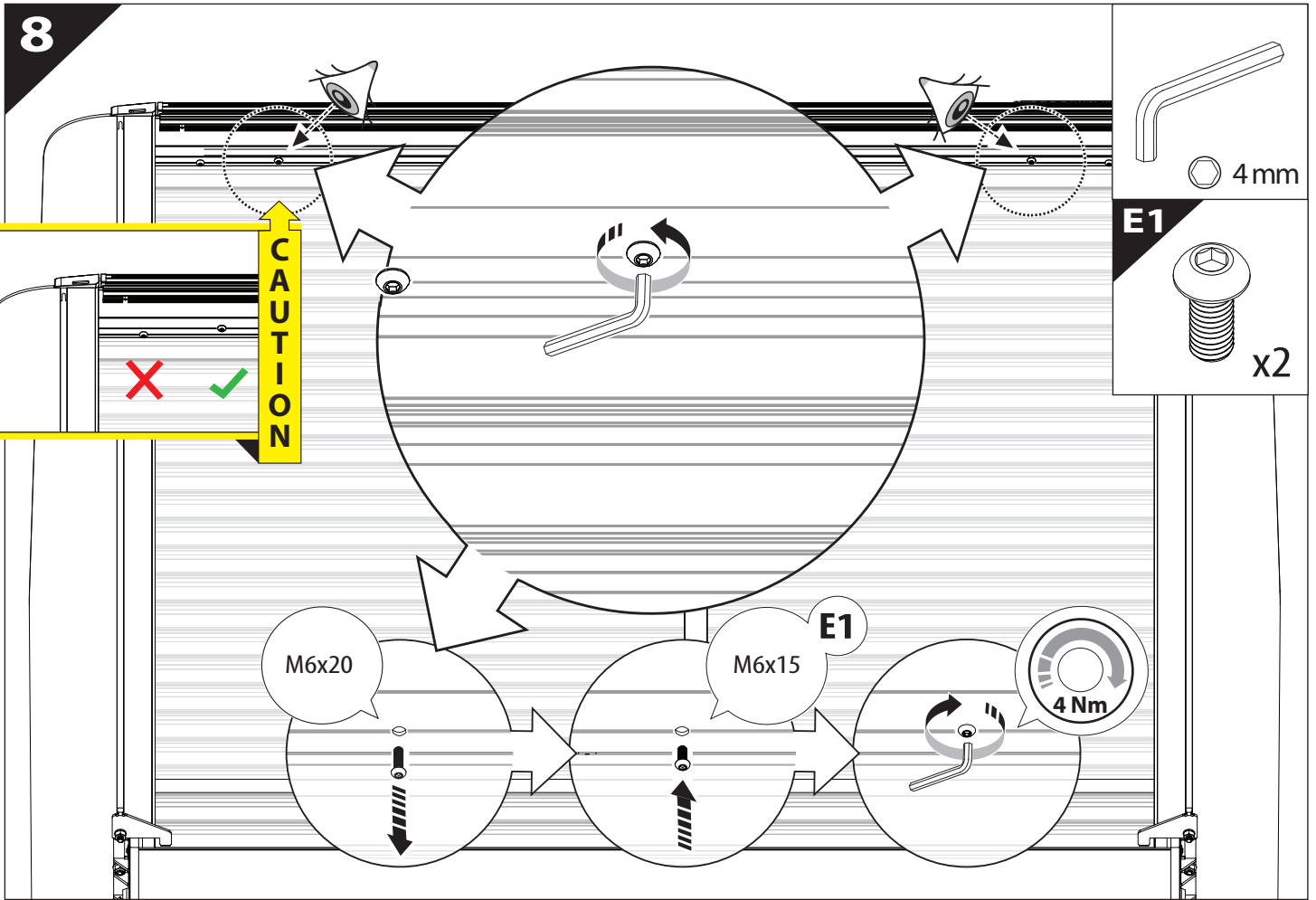
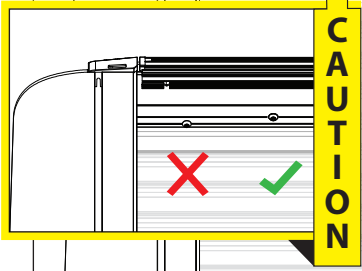


4

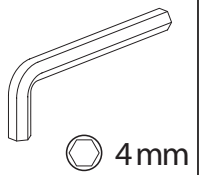
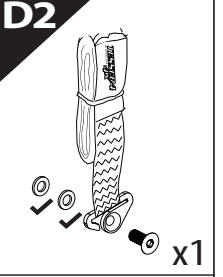
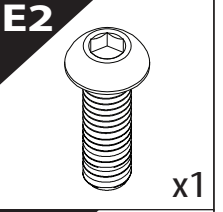
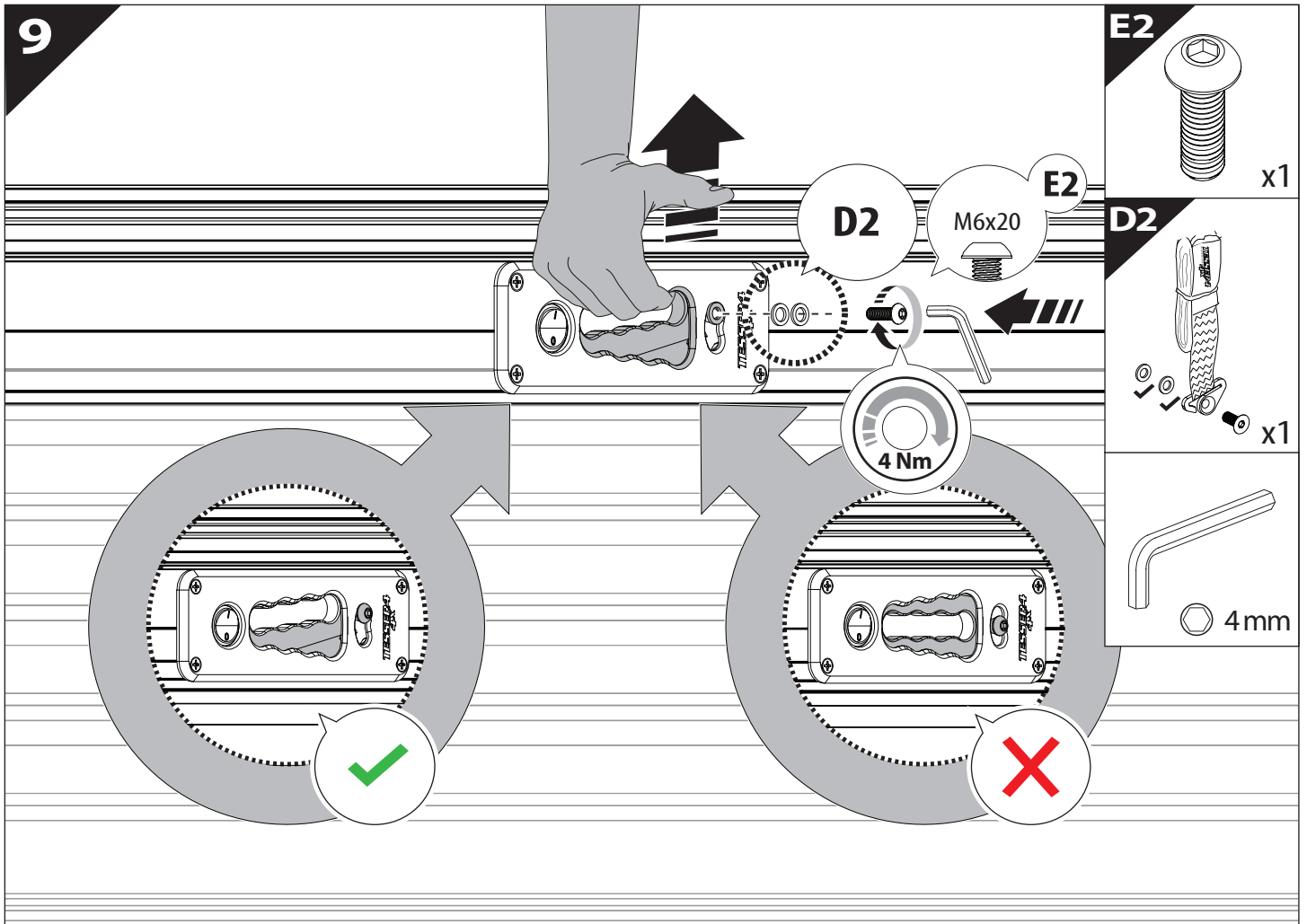


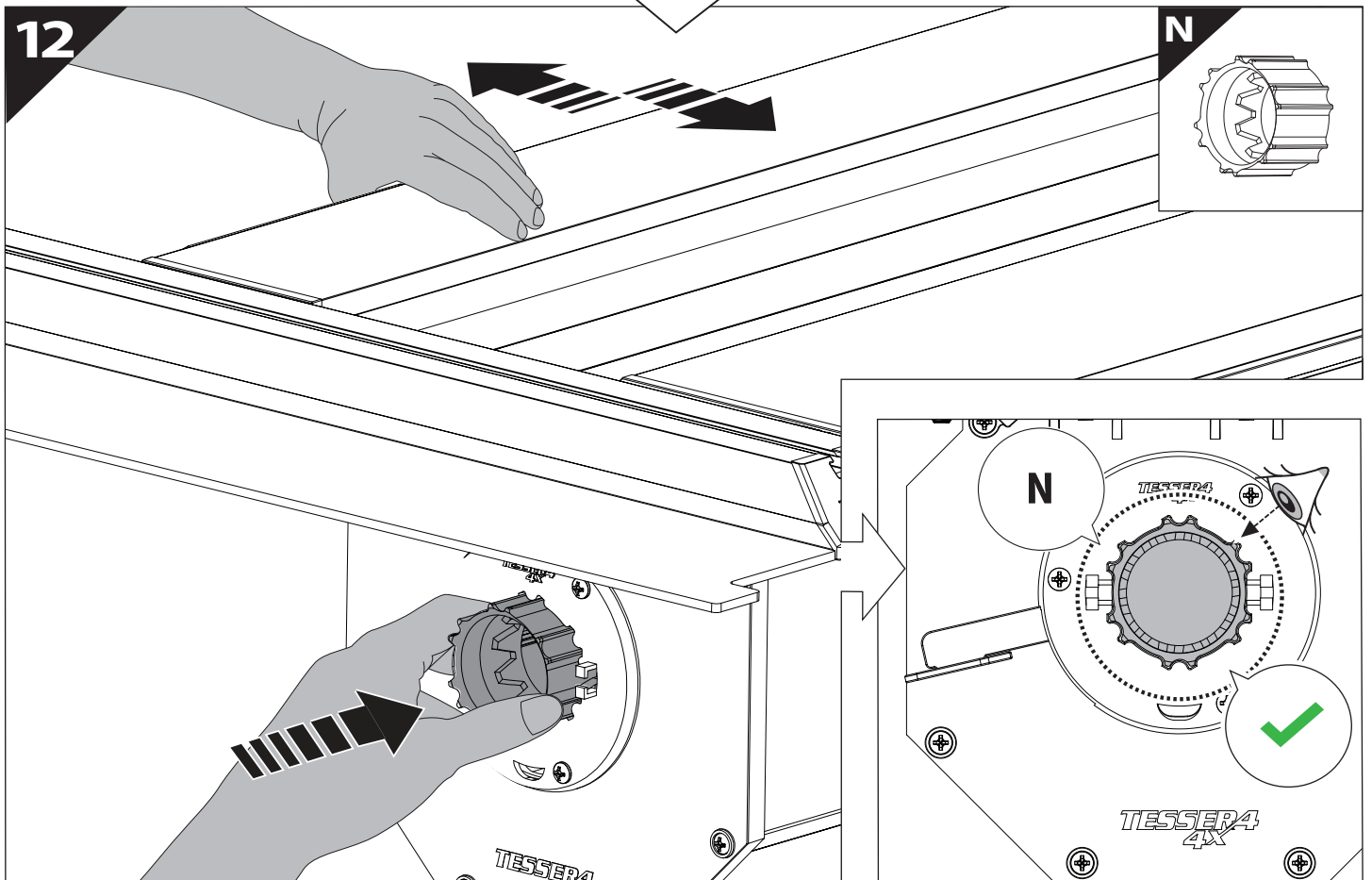
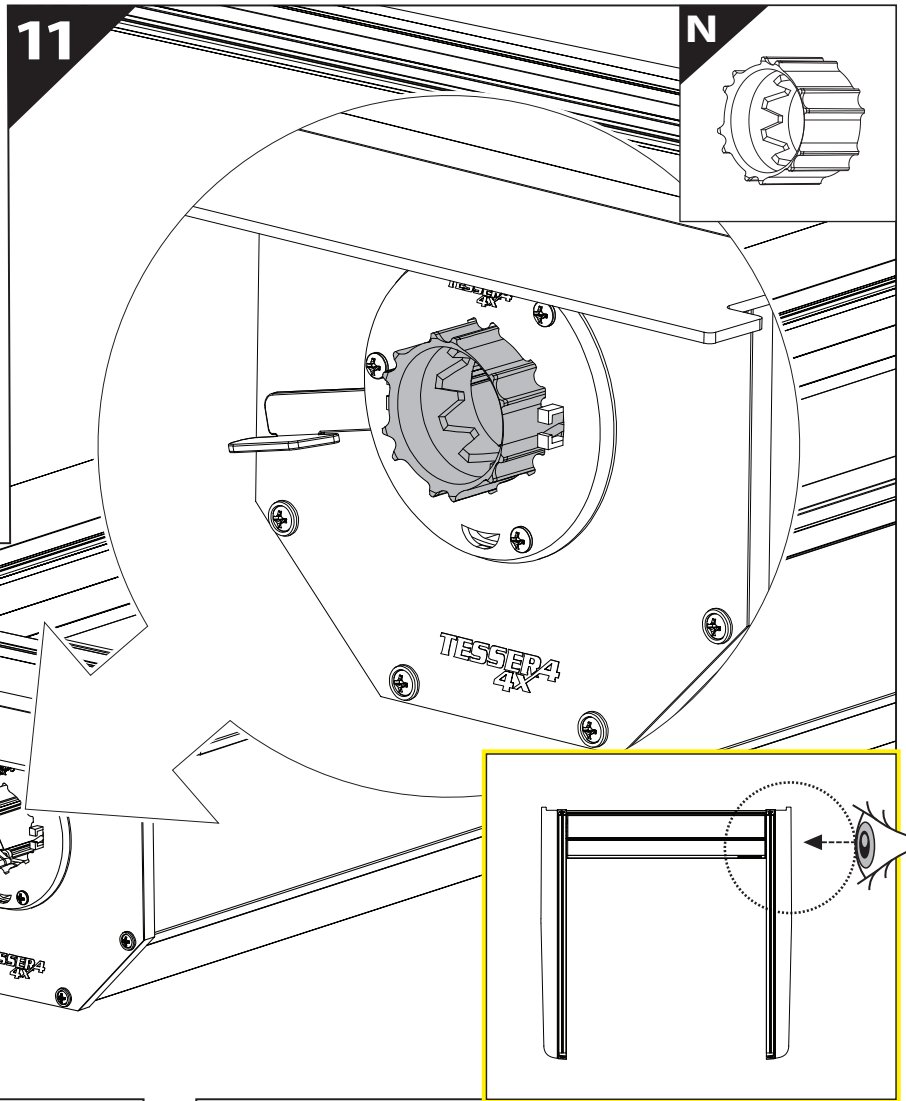
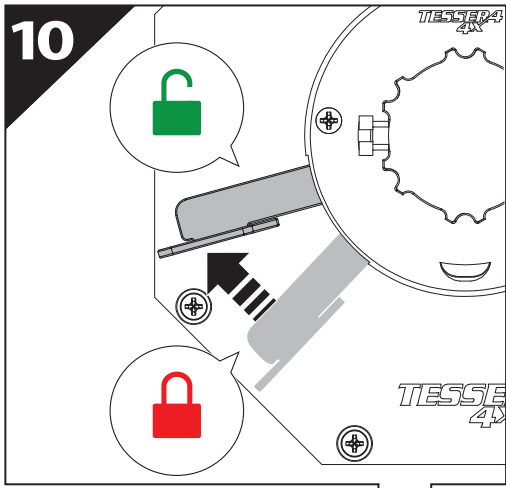


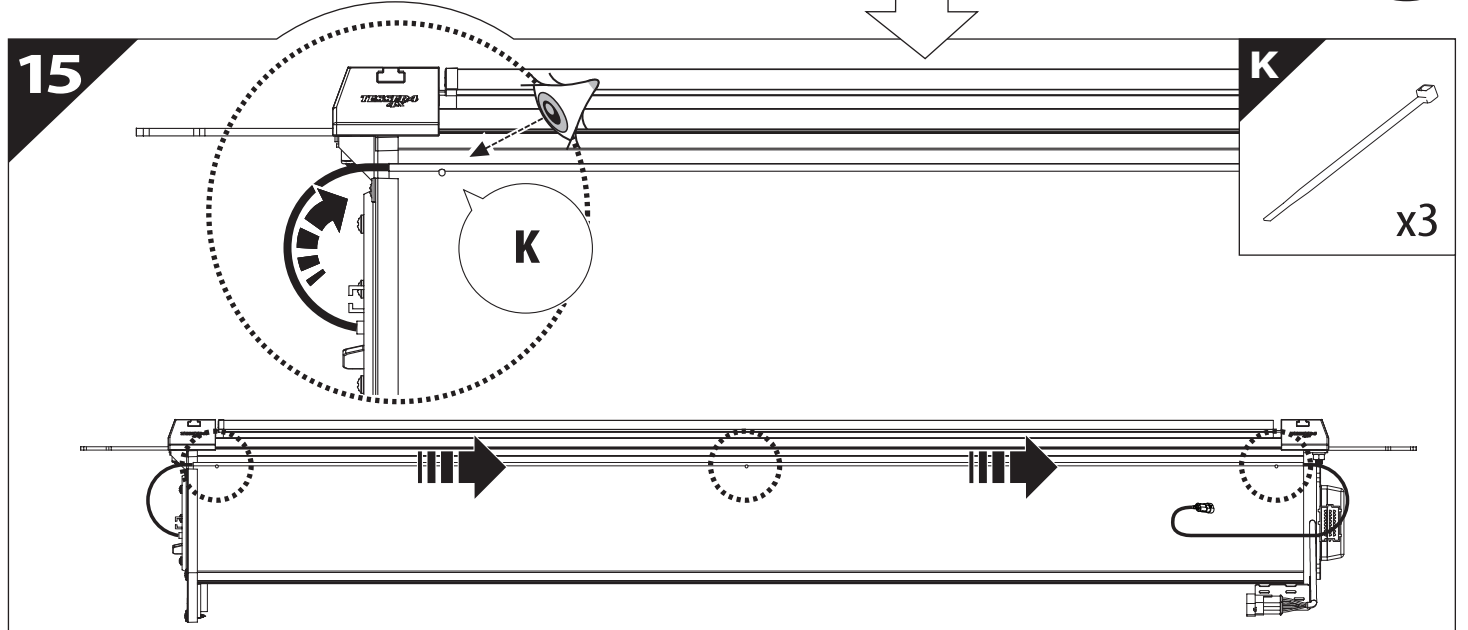
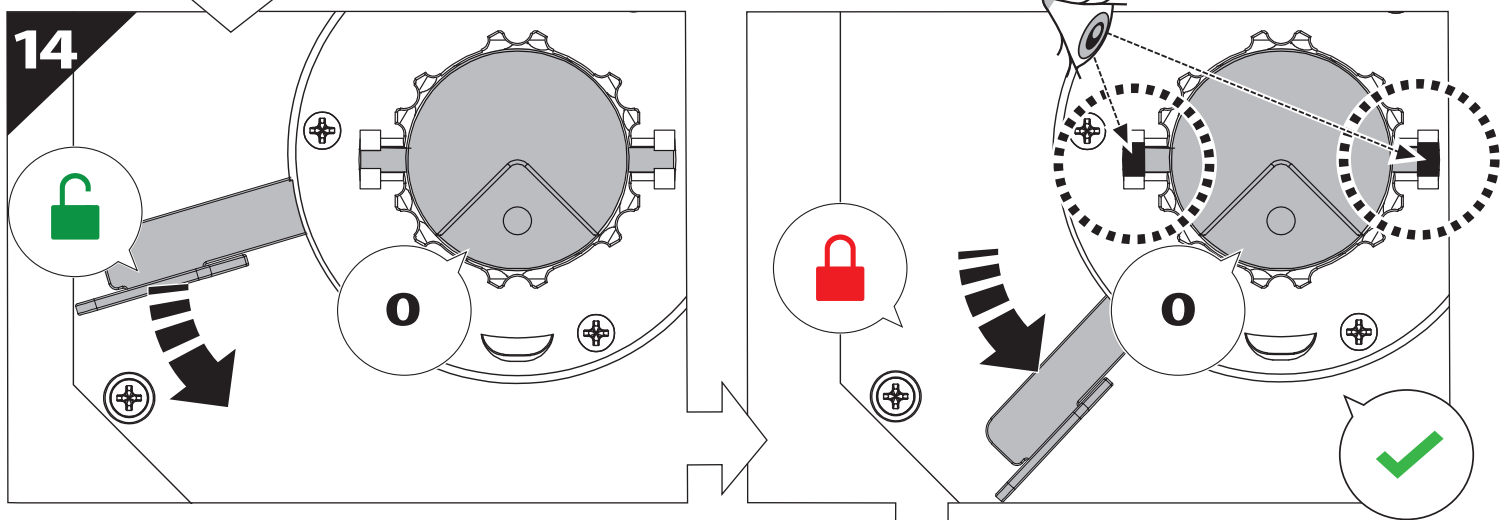
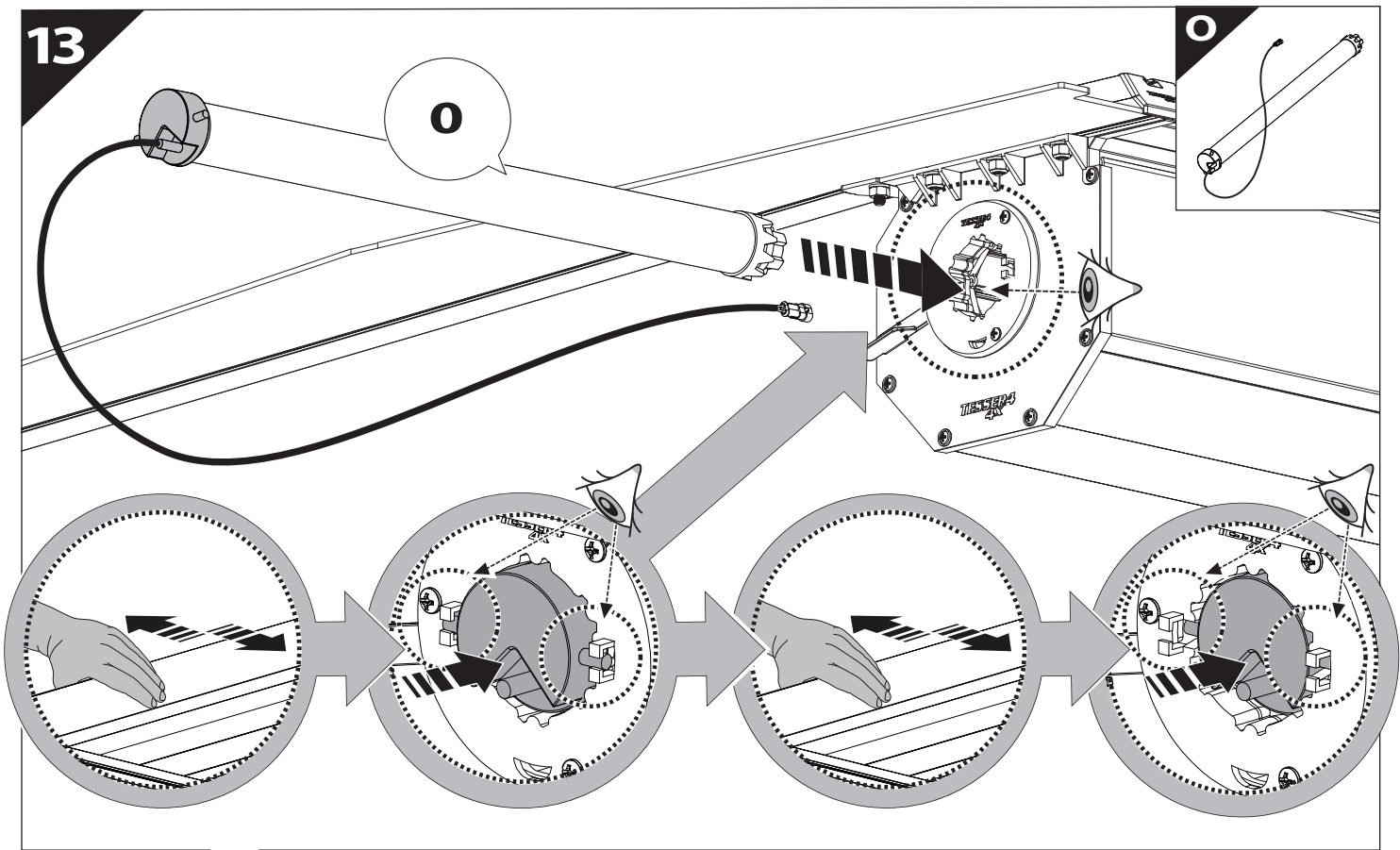
8

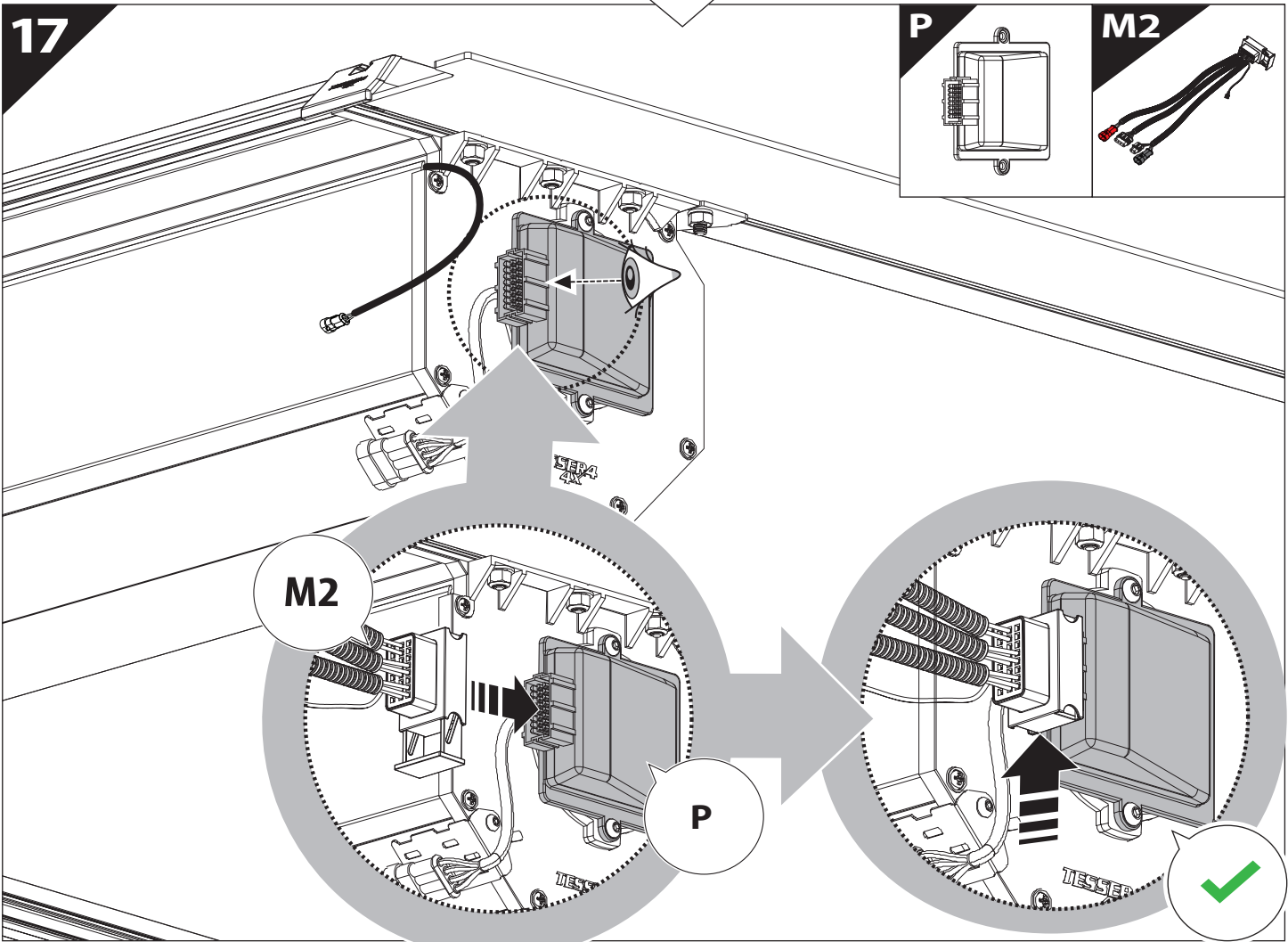
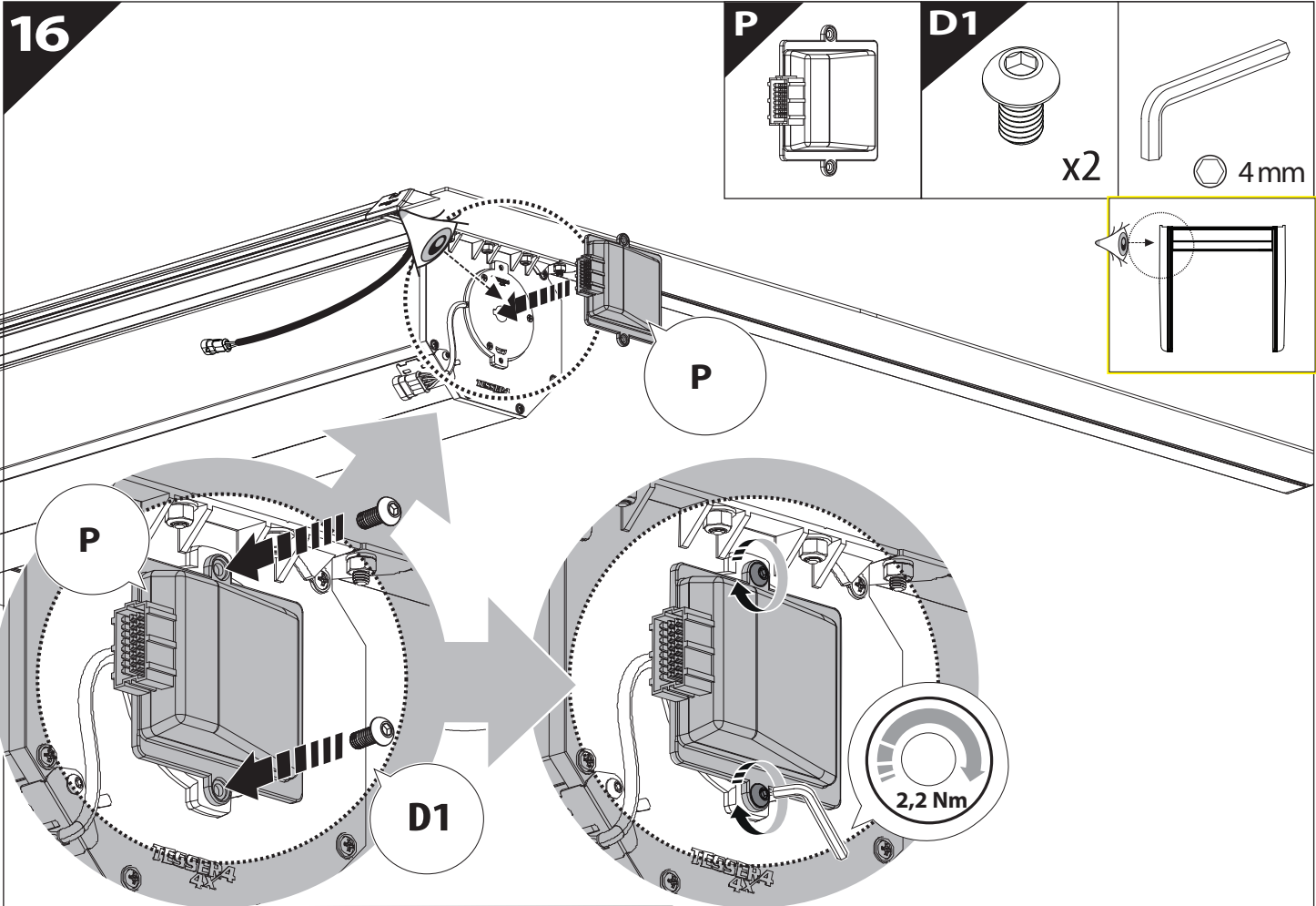


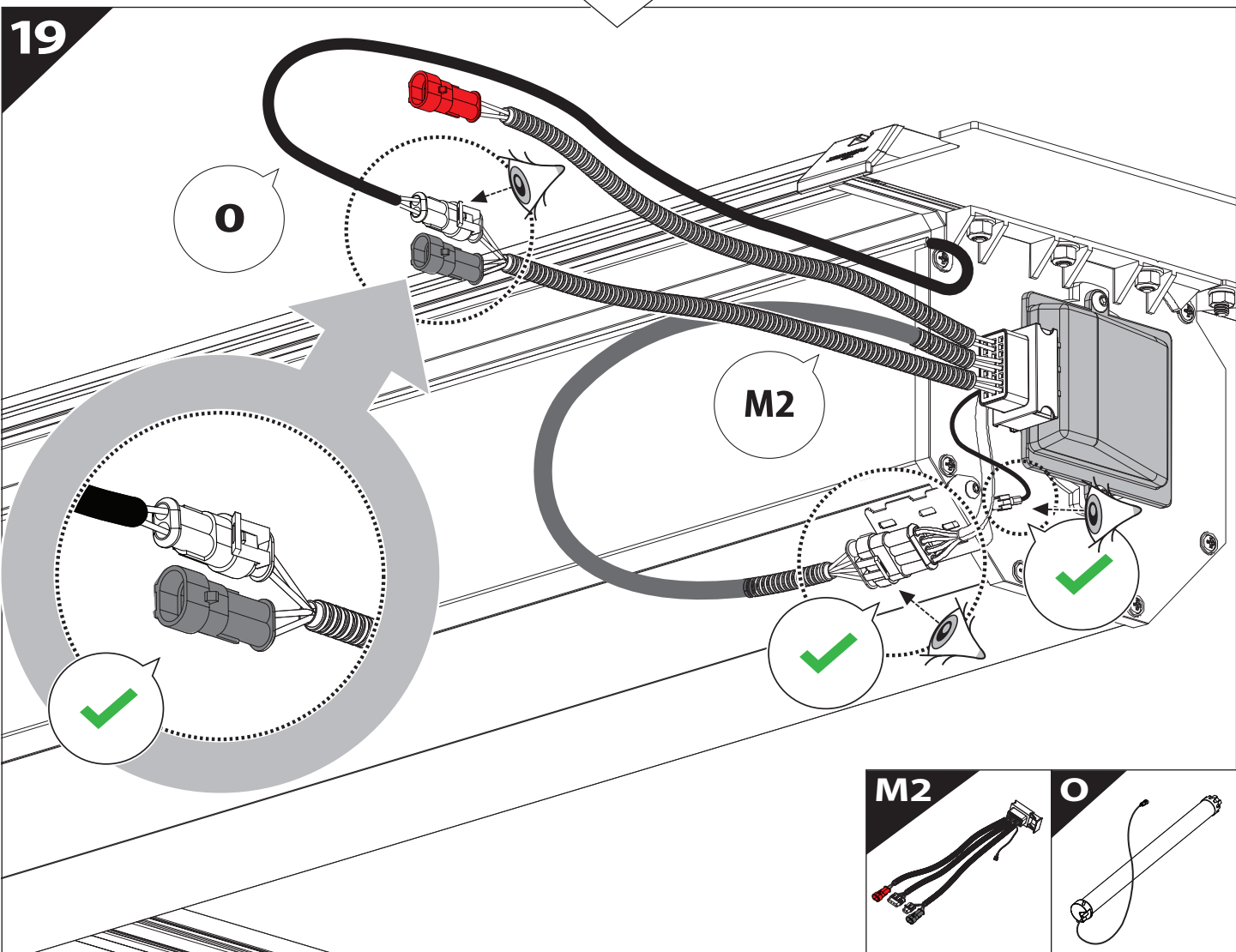
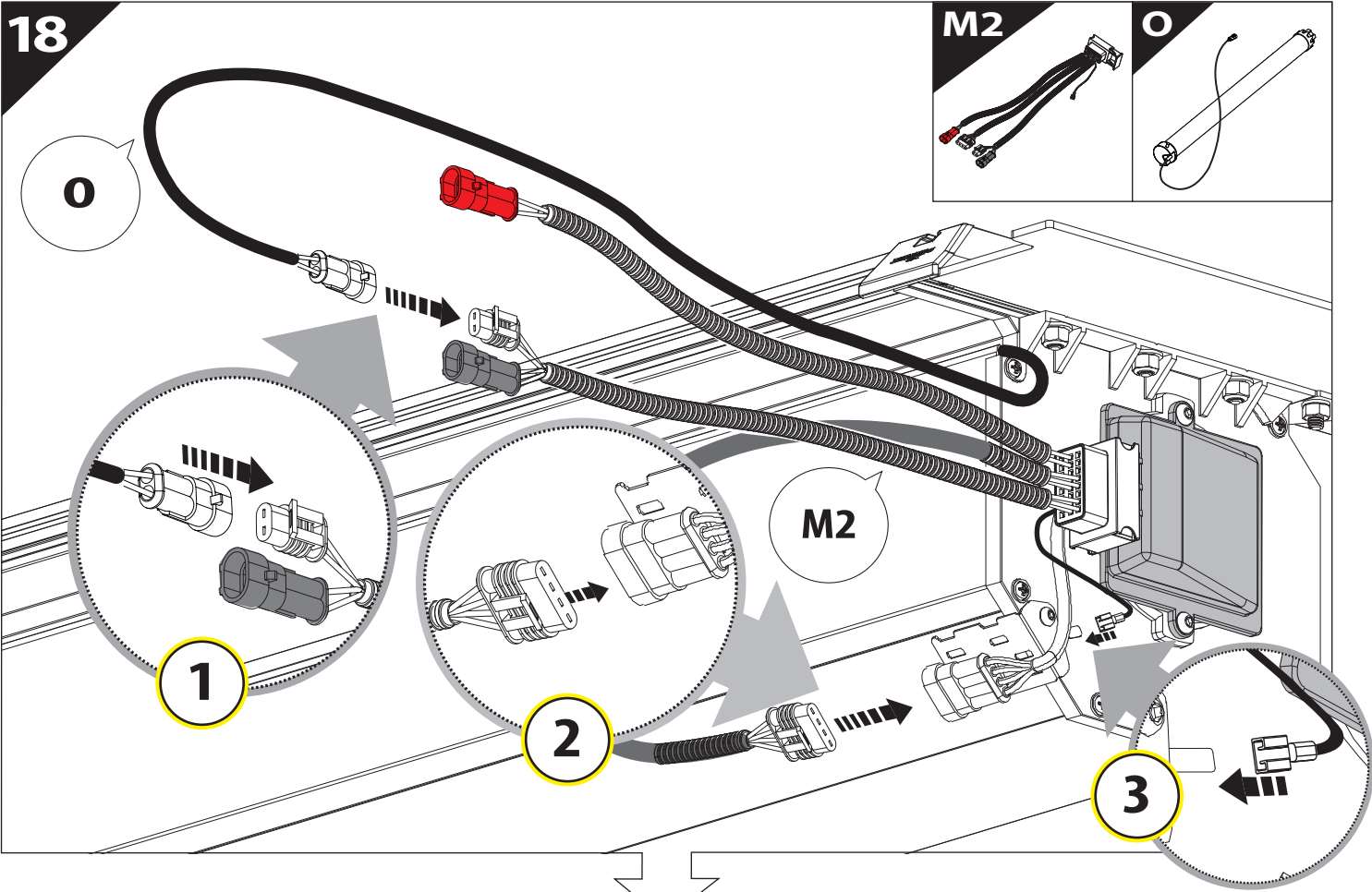
9





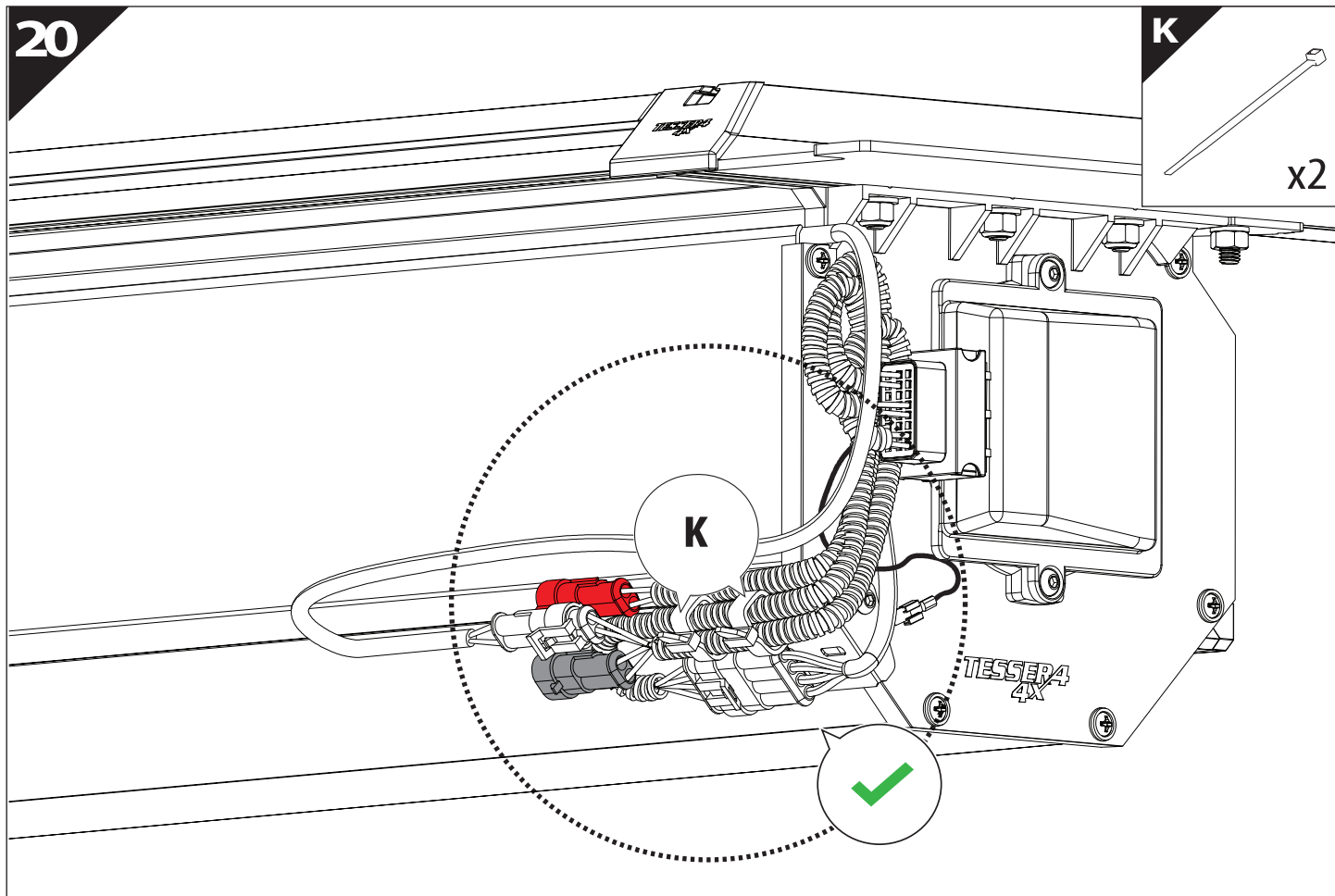






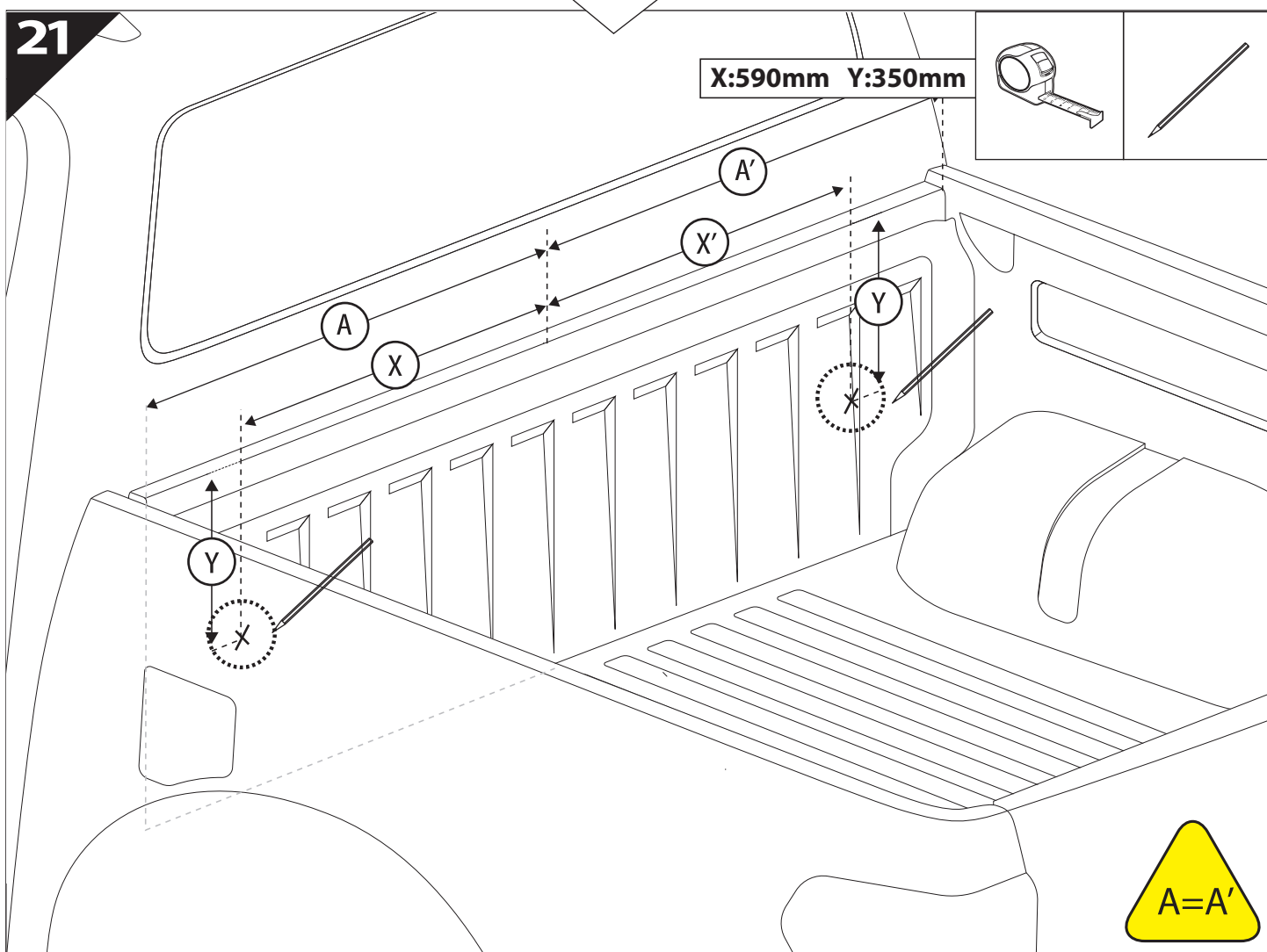
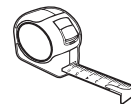
20

K

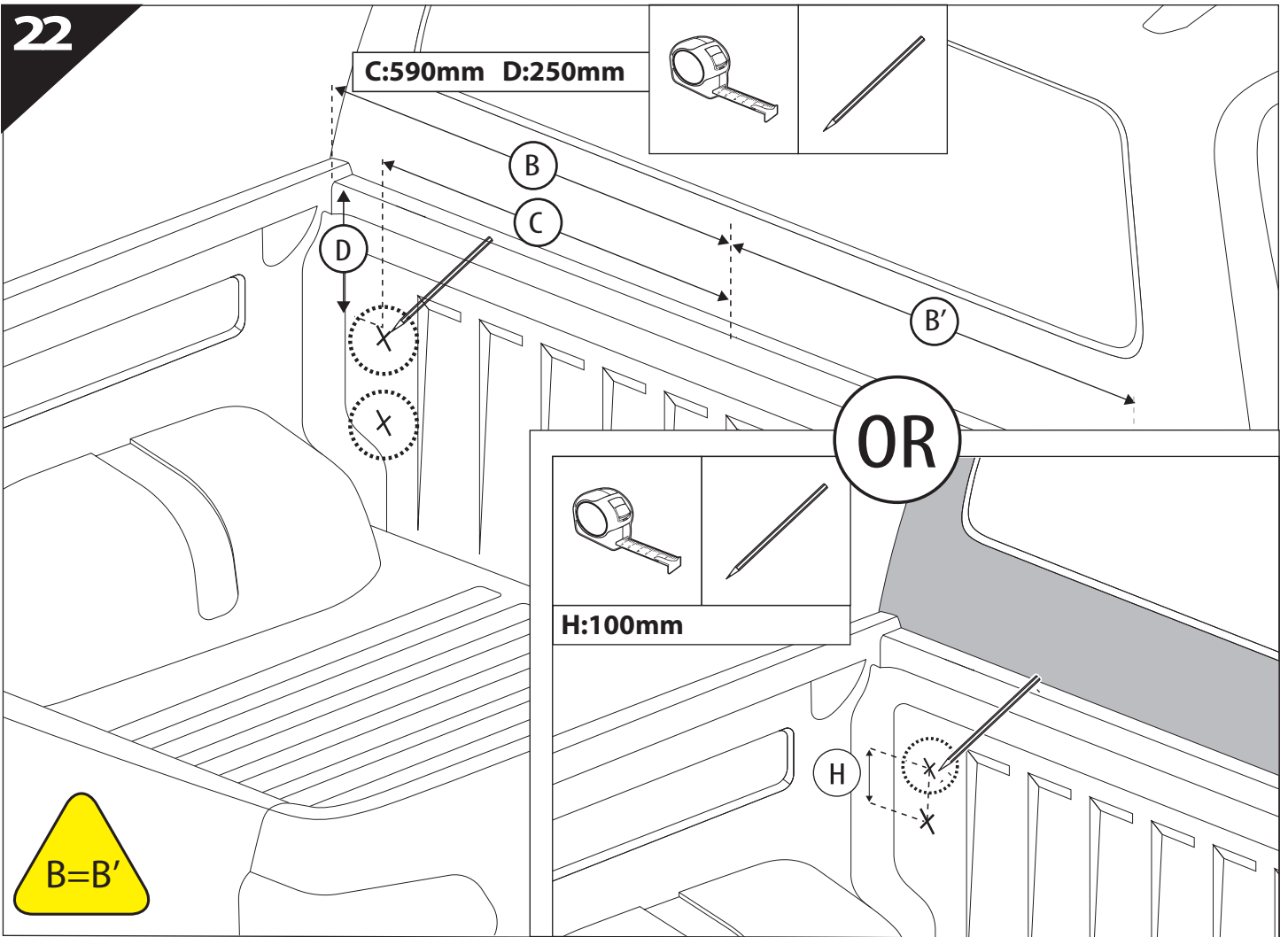


21

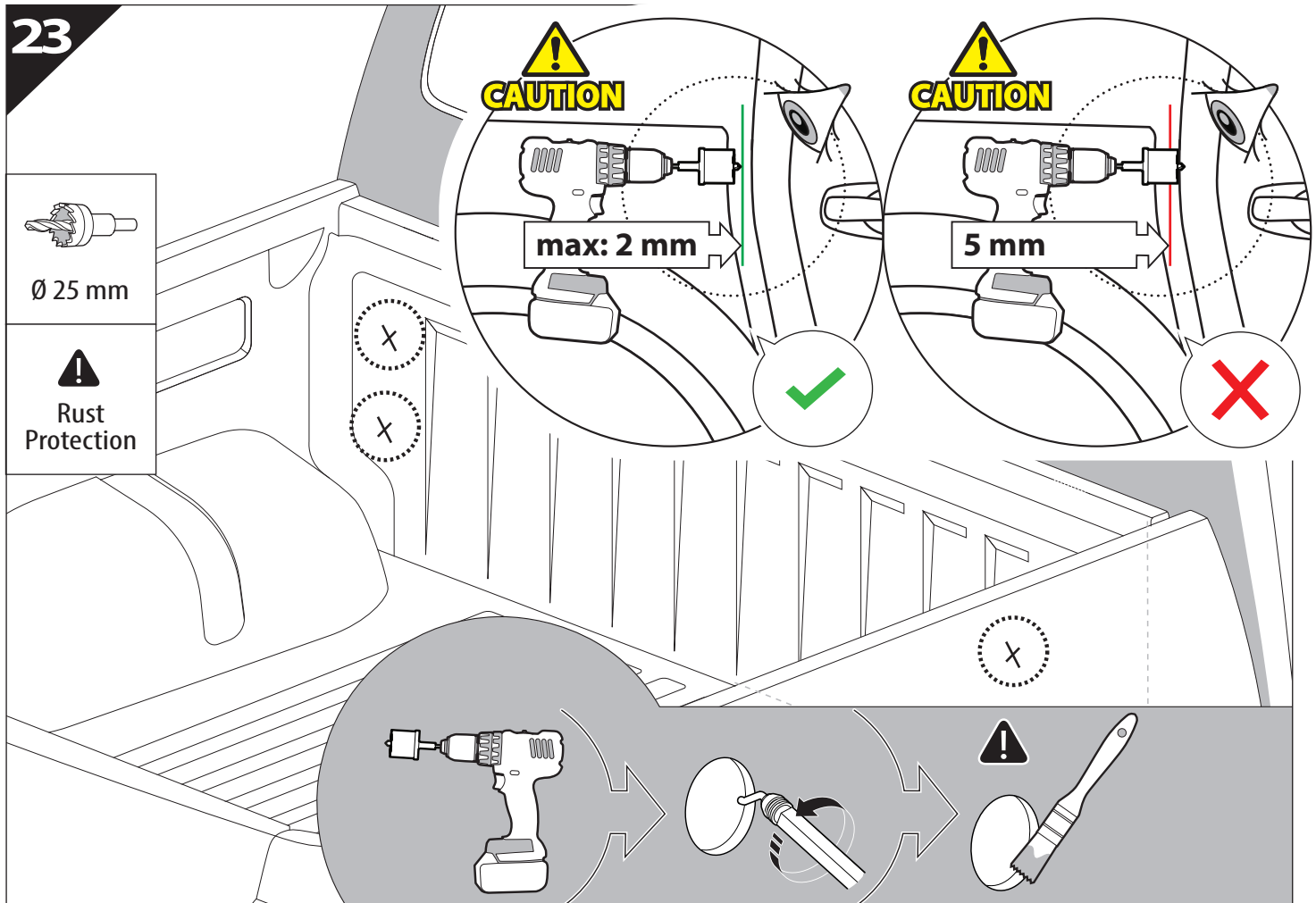
X:590mm Y:350mm



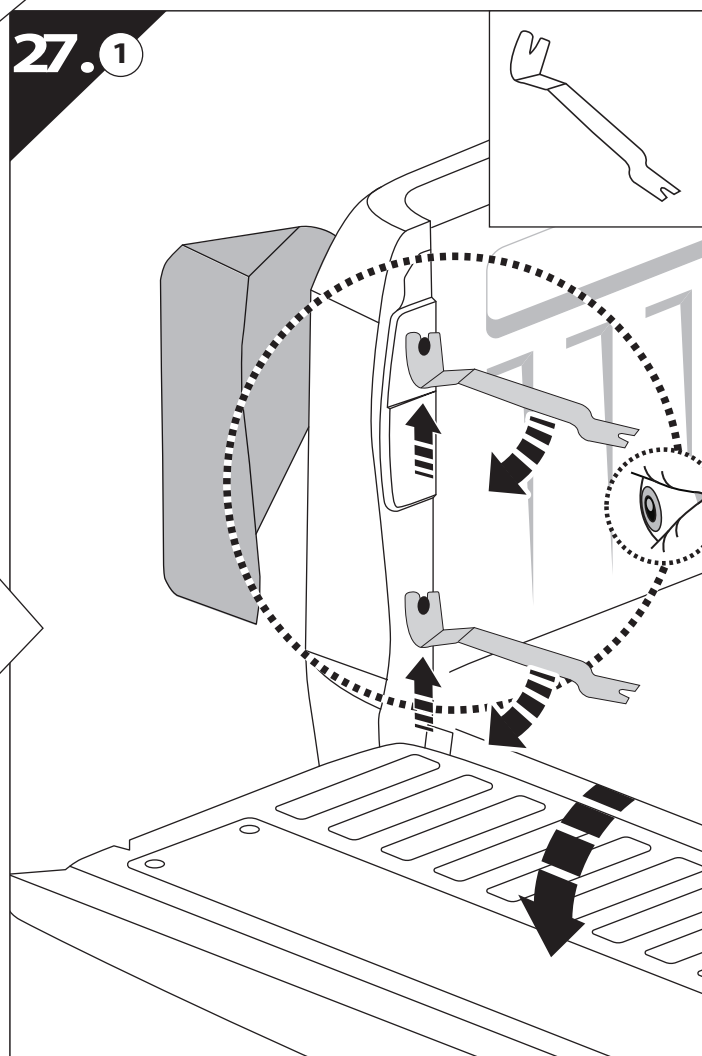
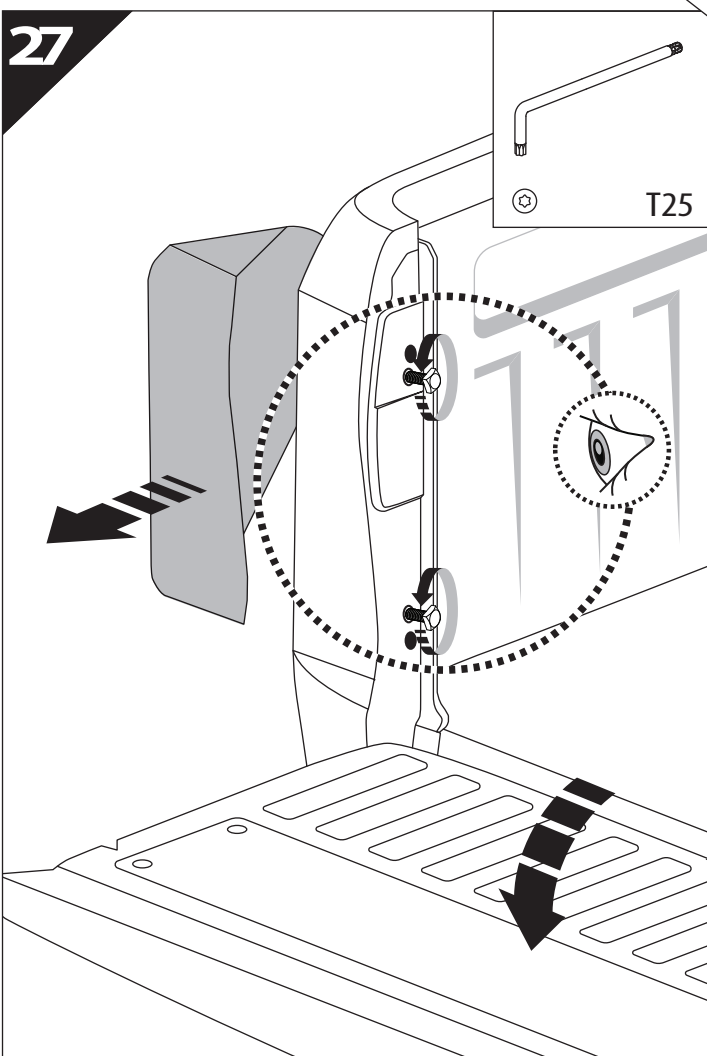
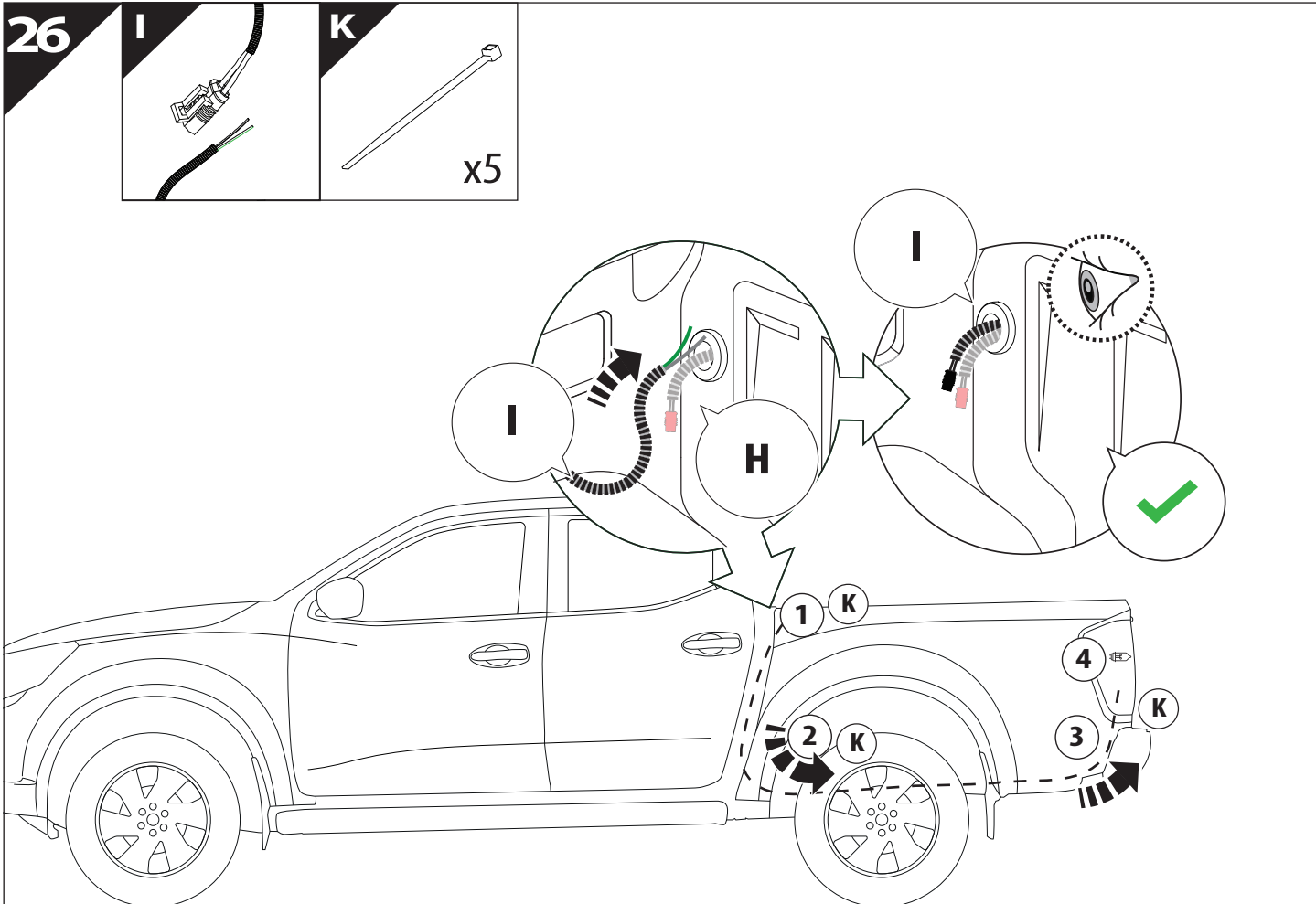
22



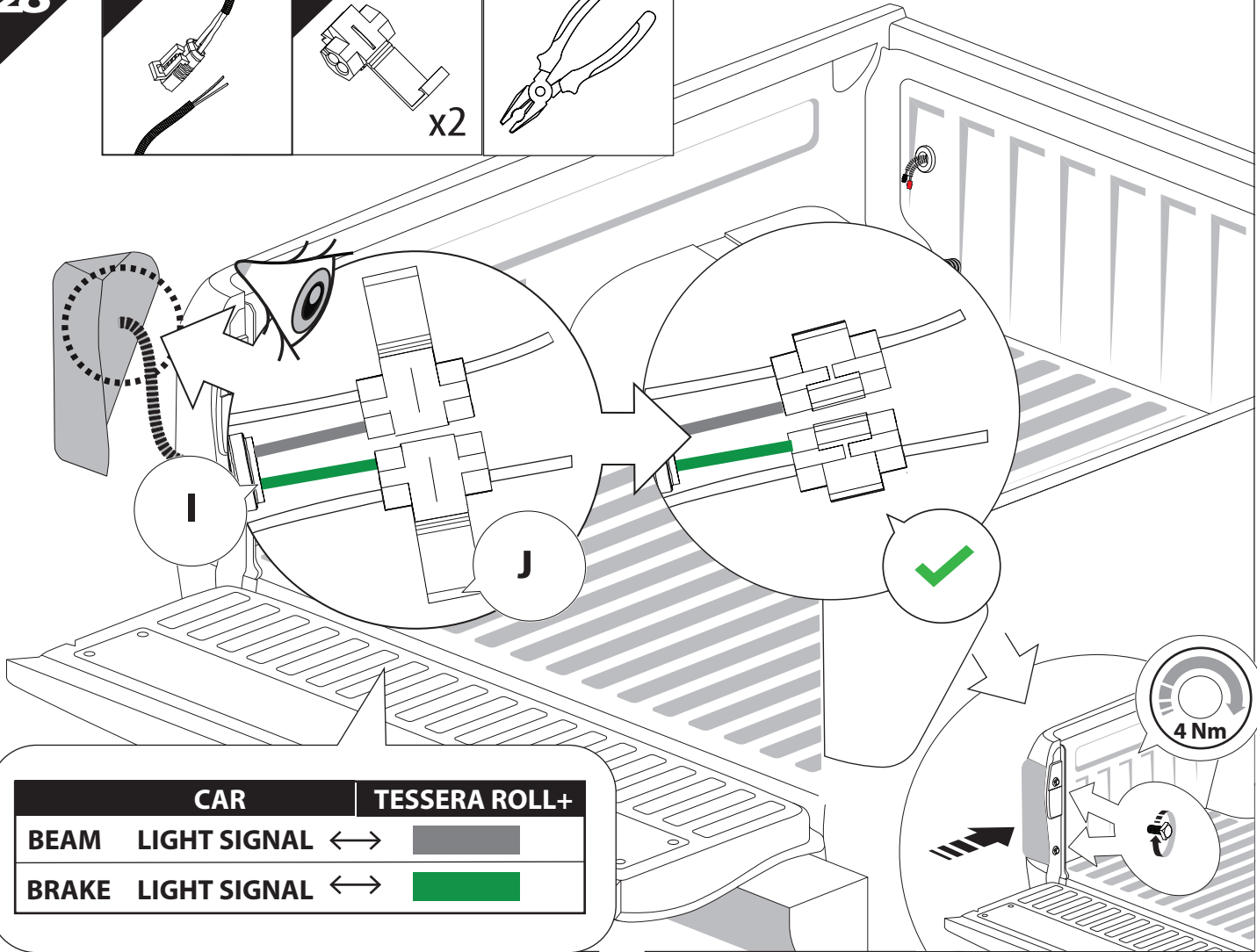
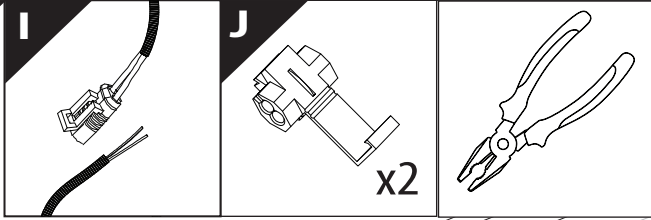
23



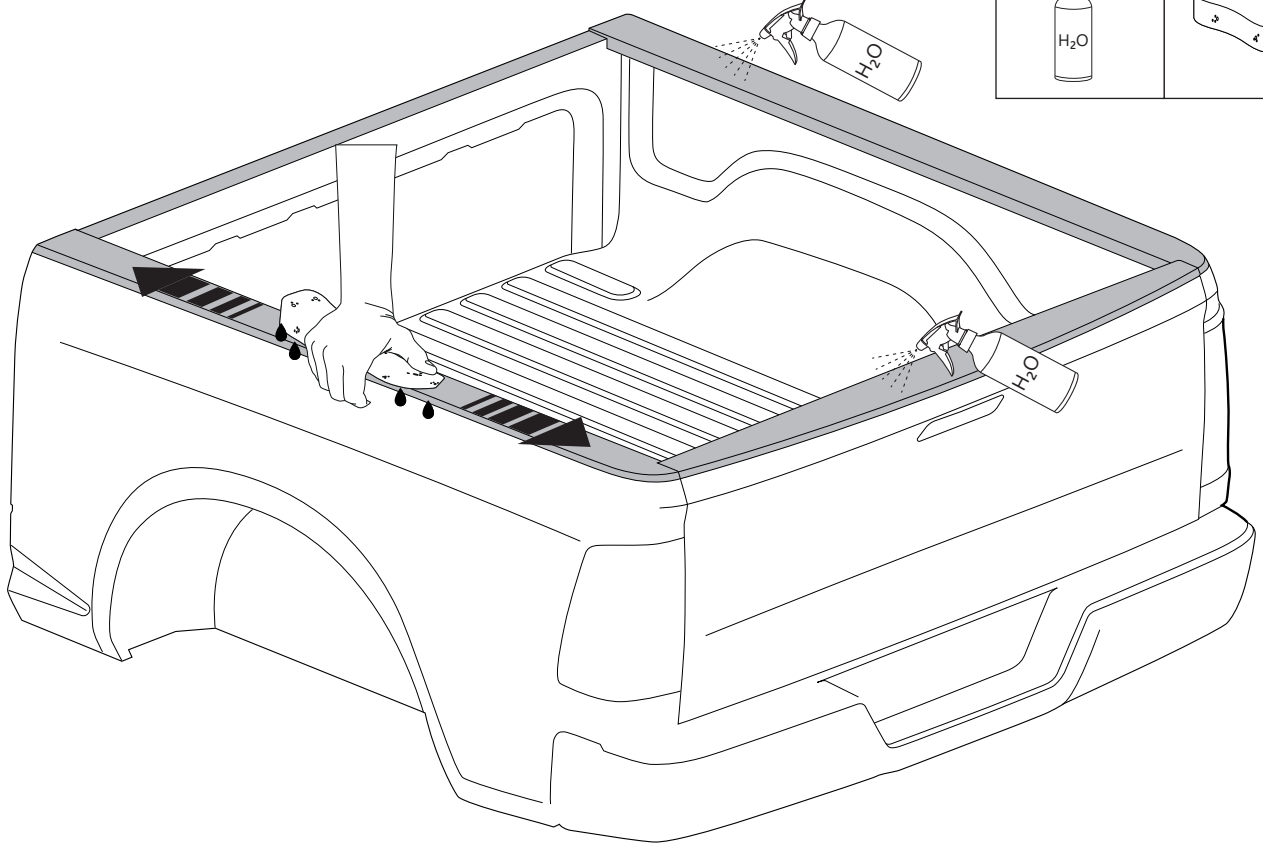
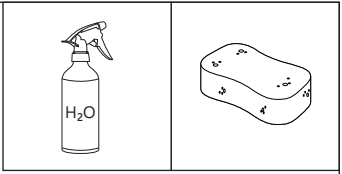


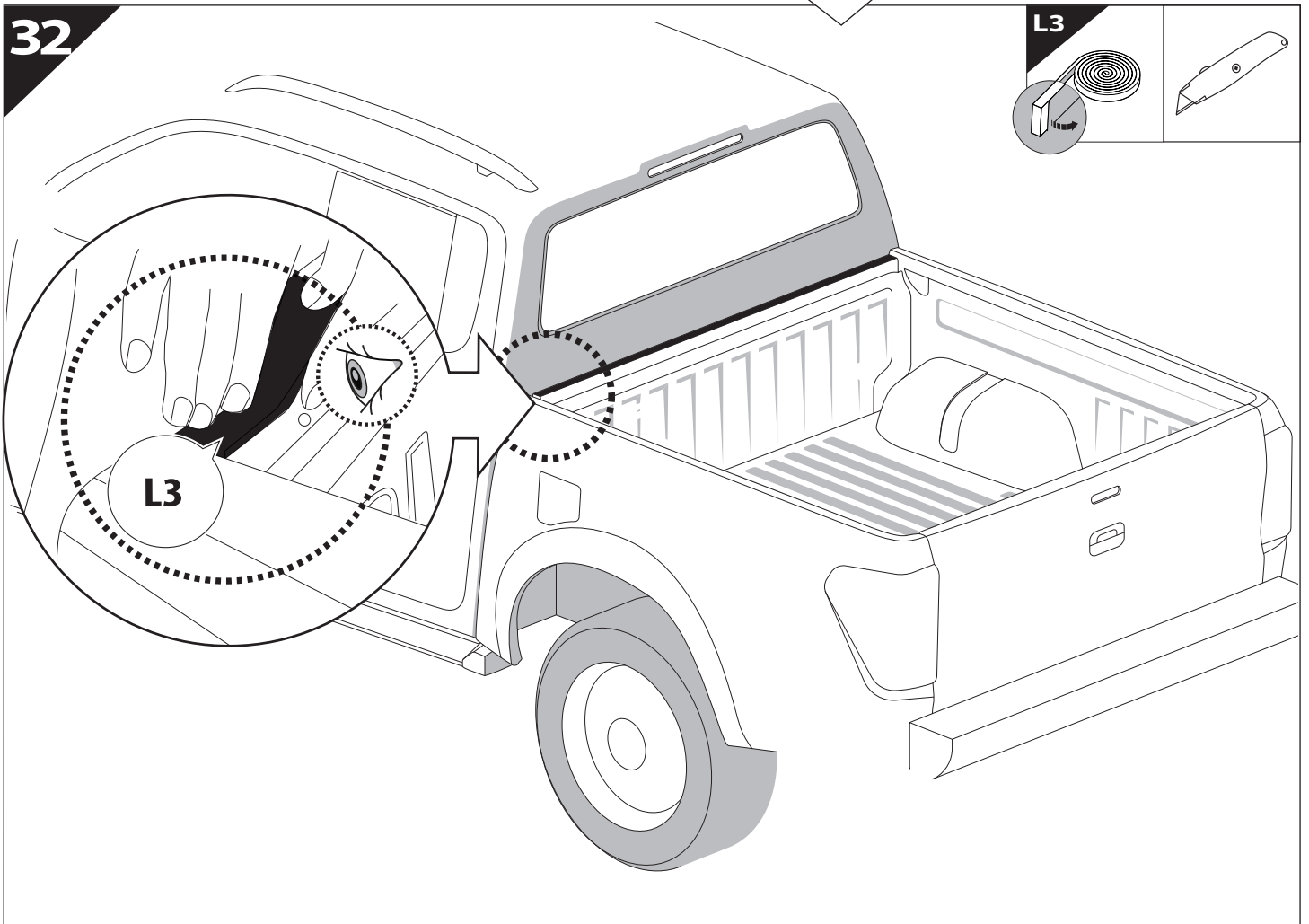
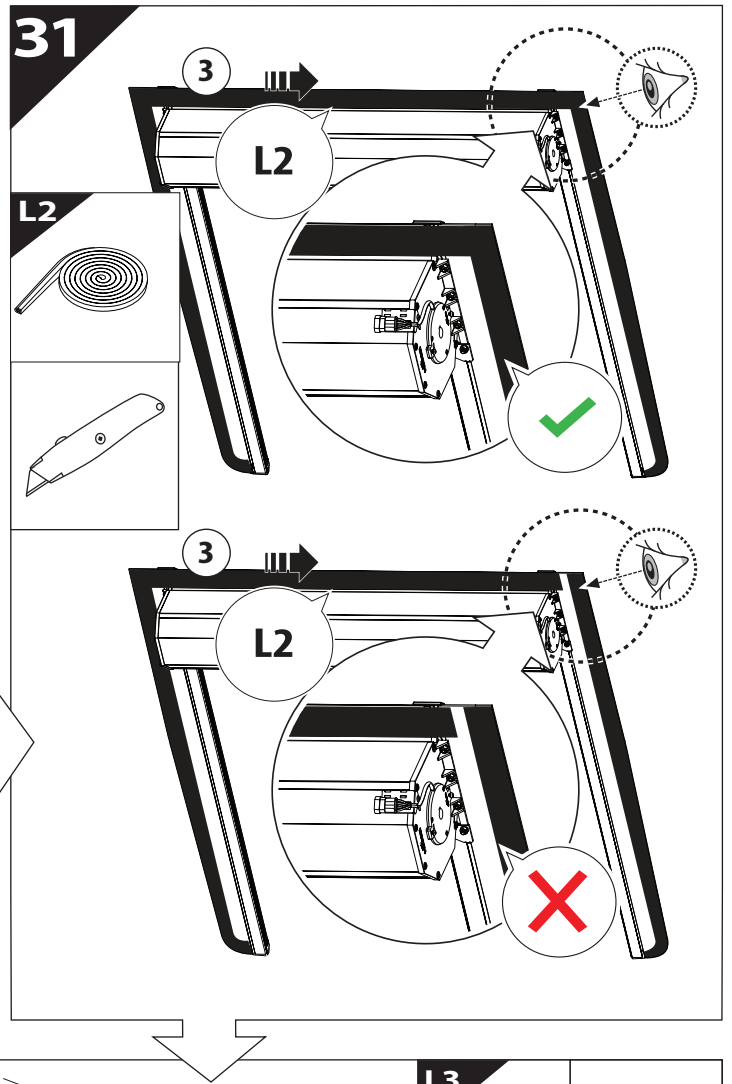
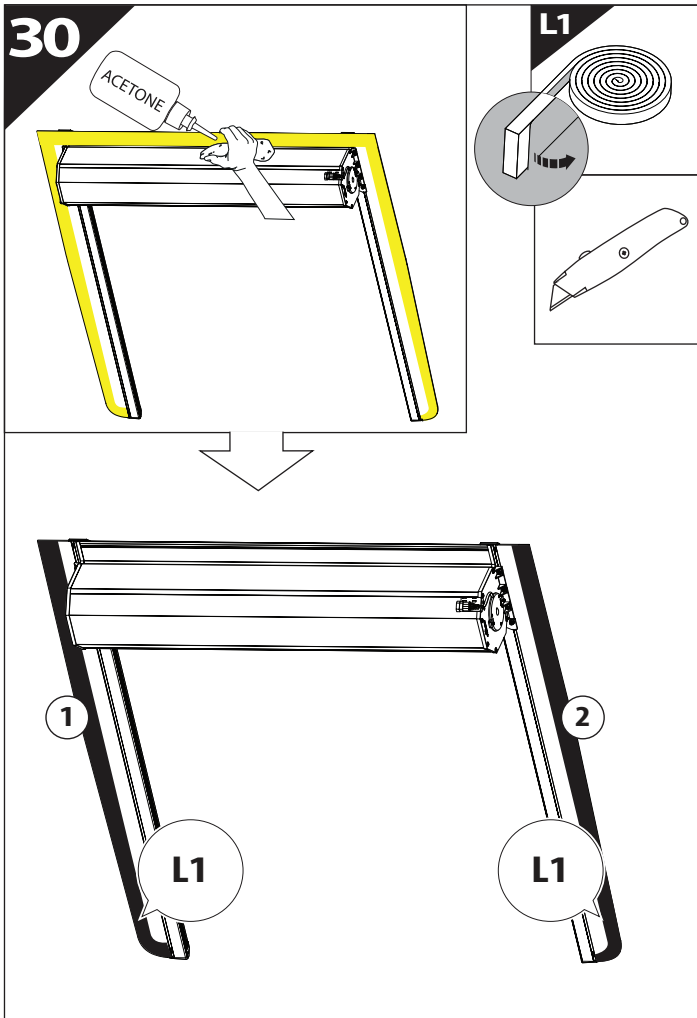


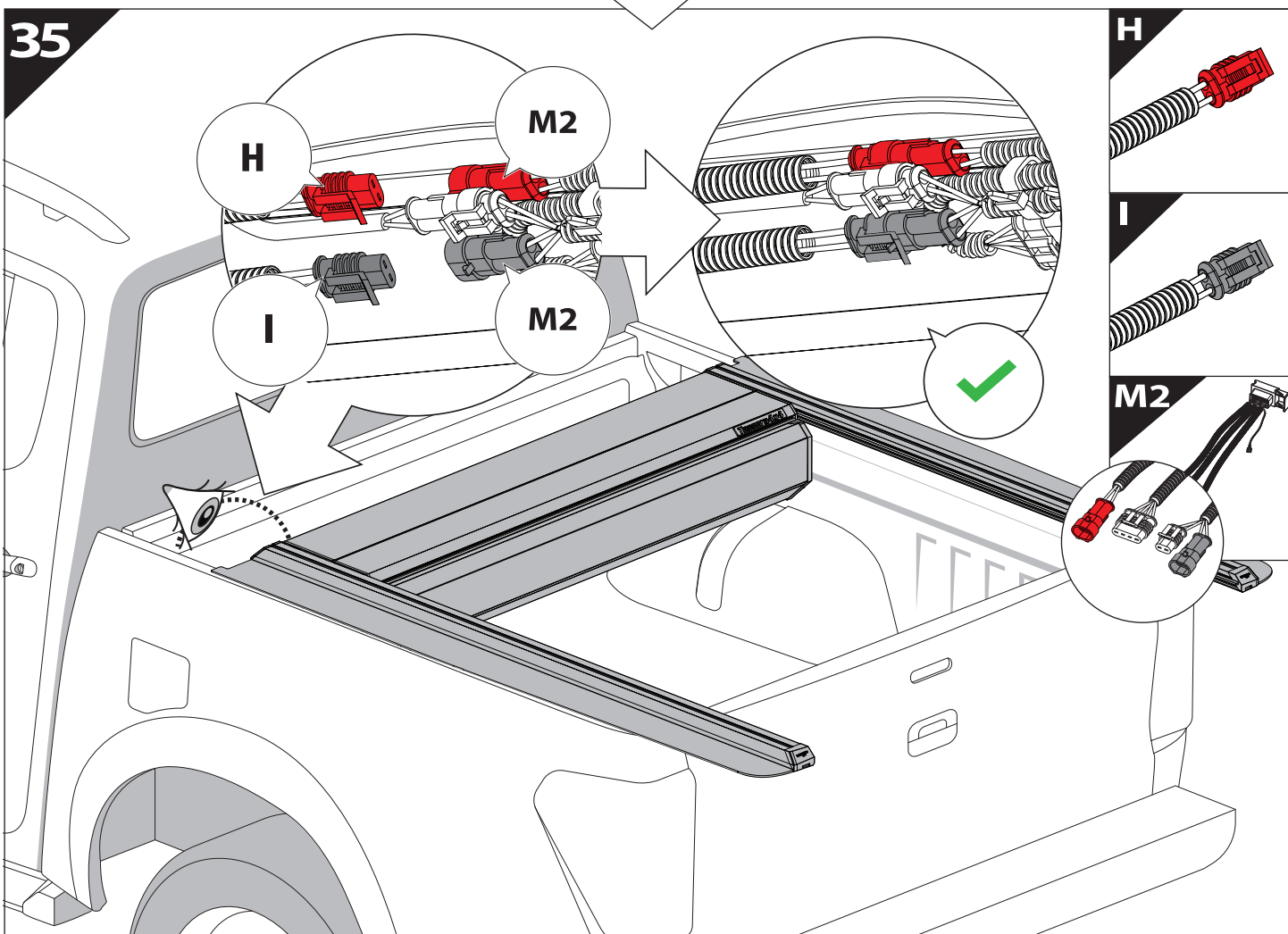
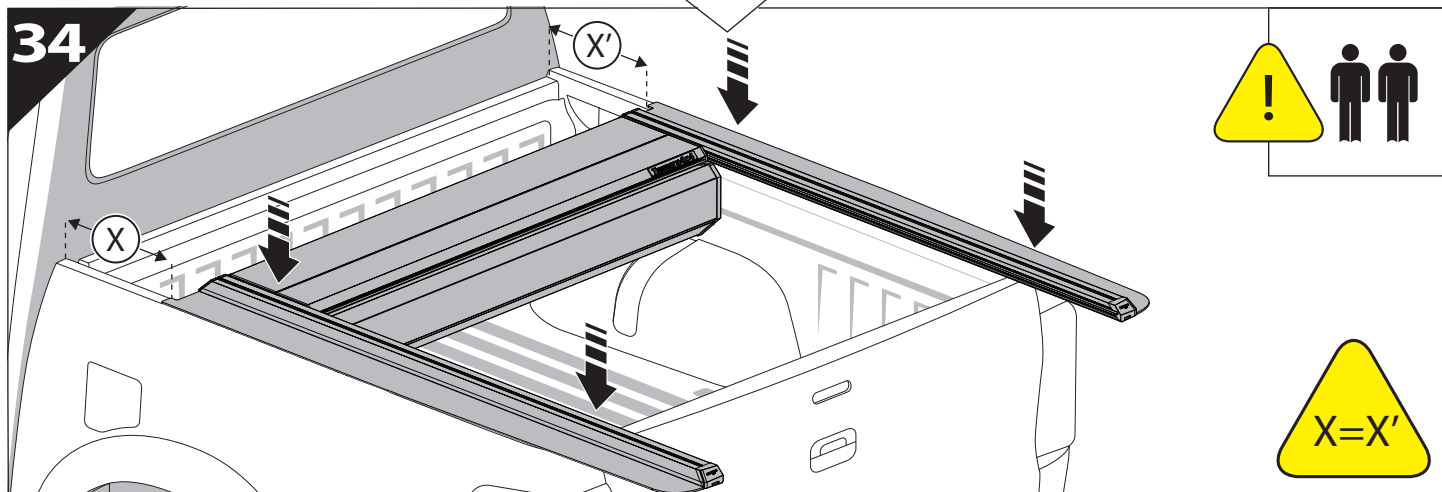
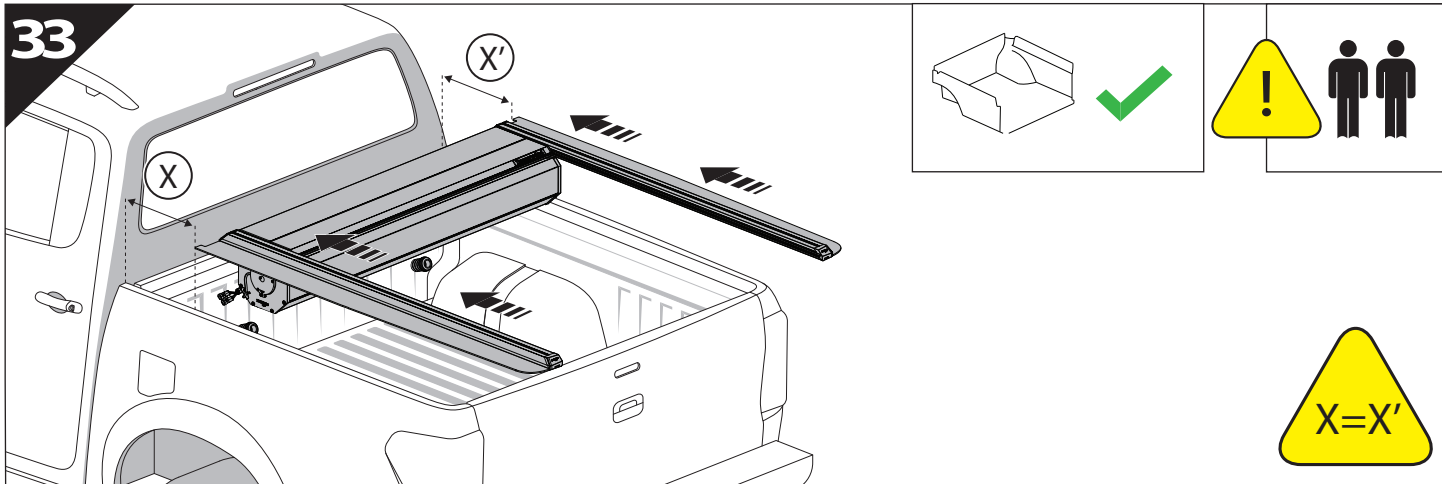
28



29

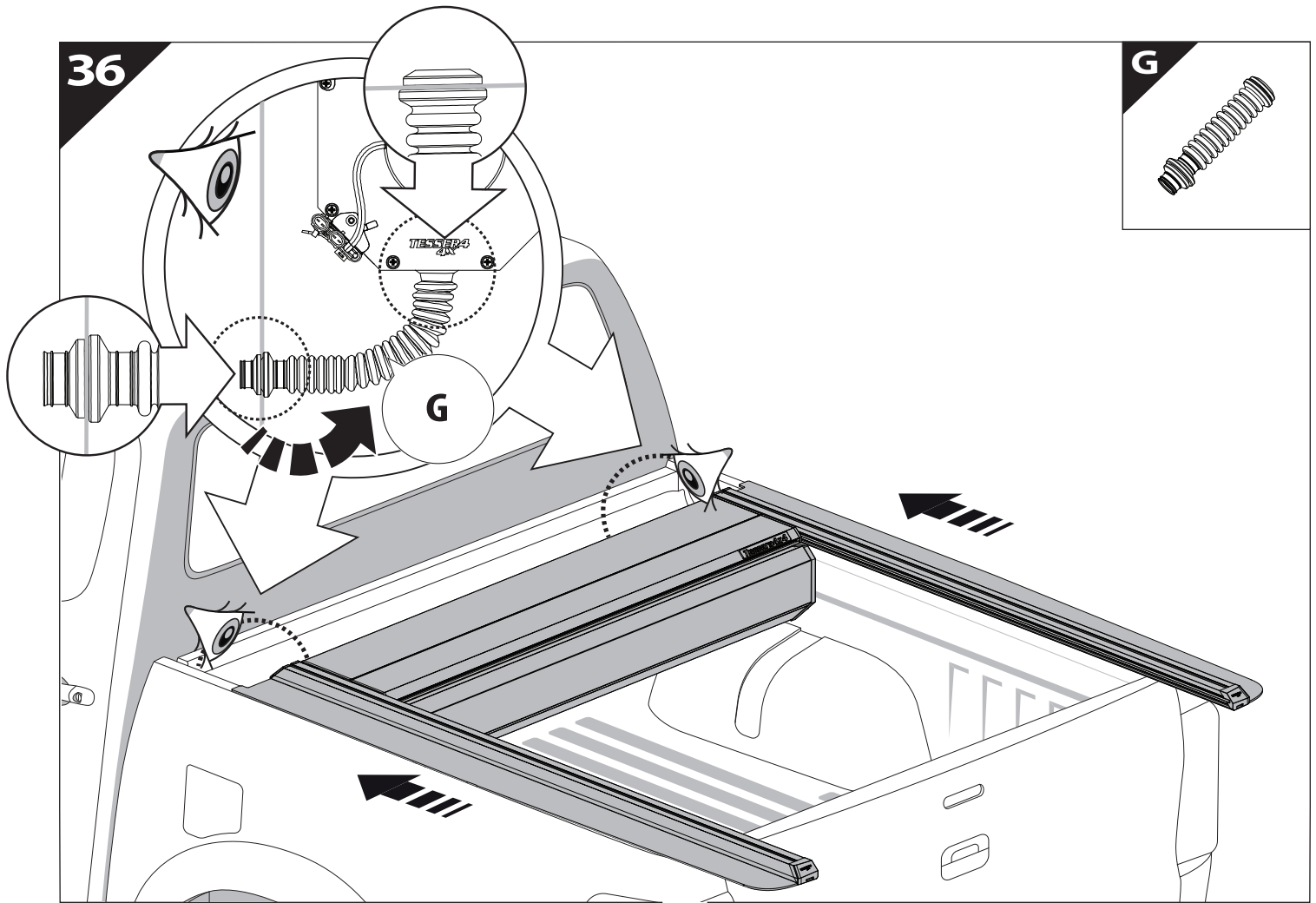




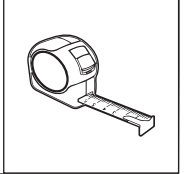
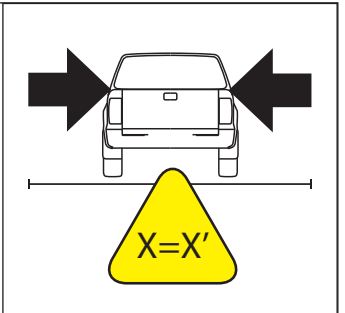
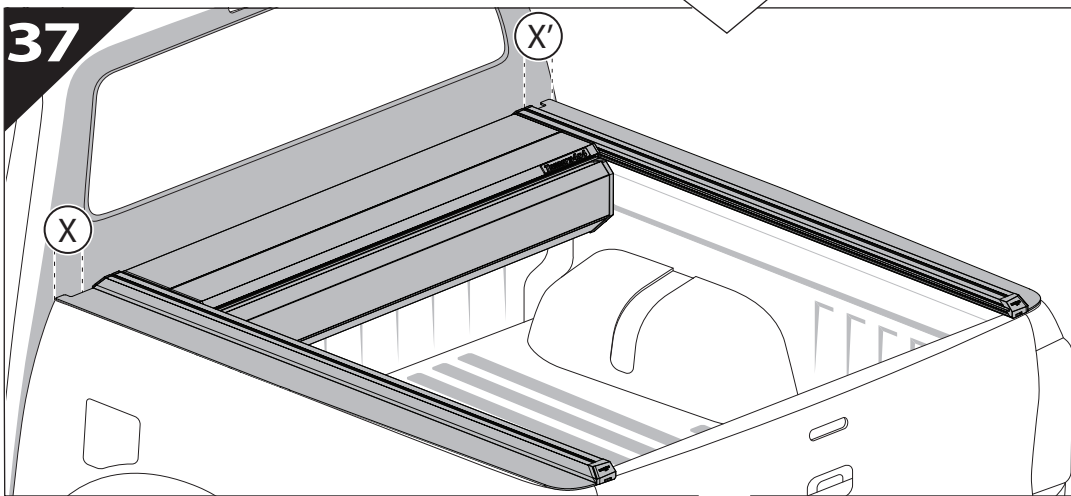


36

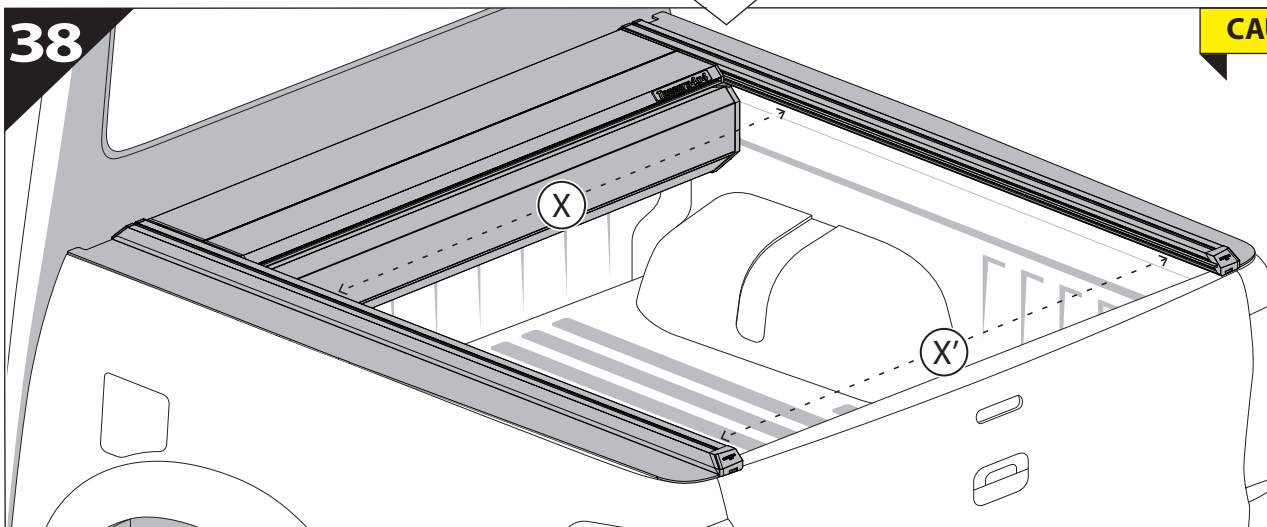
G



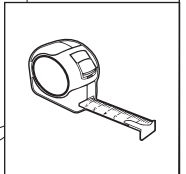
37

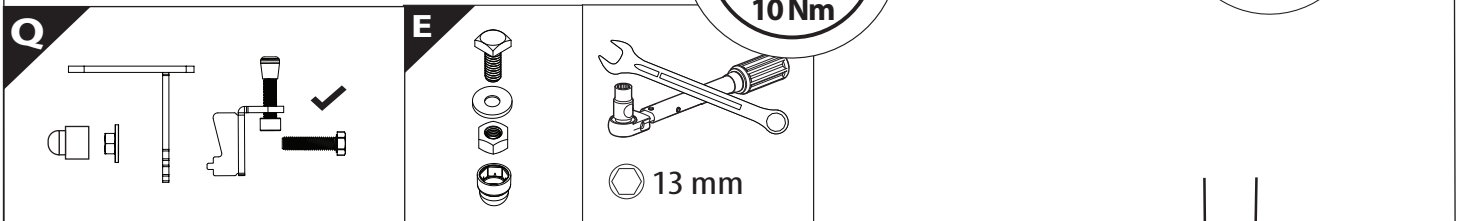
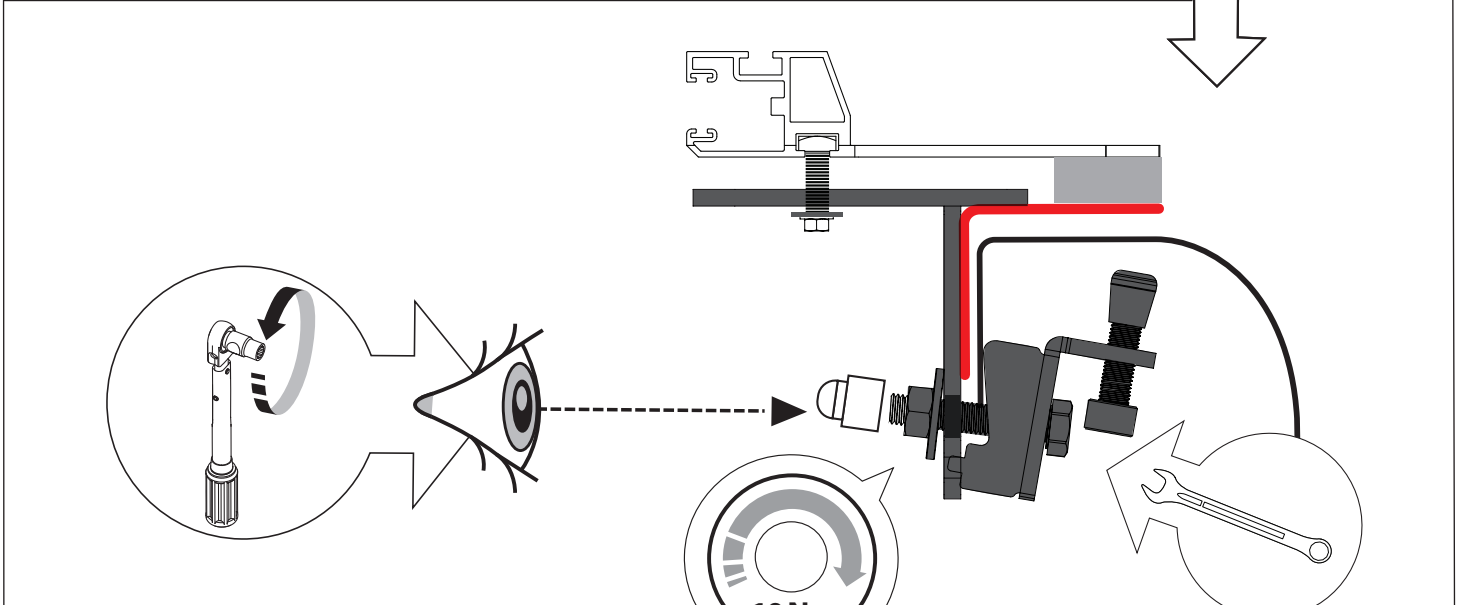
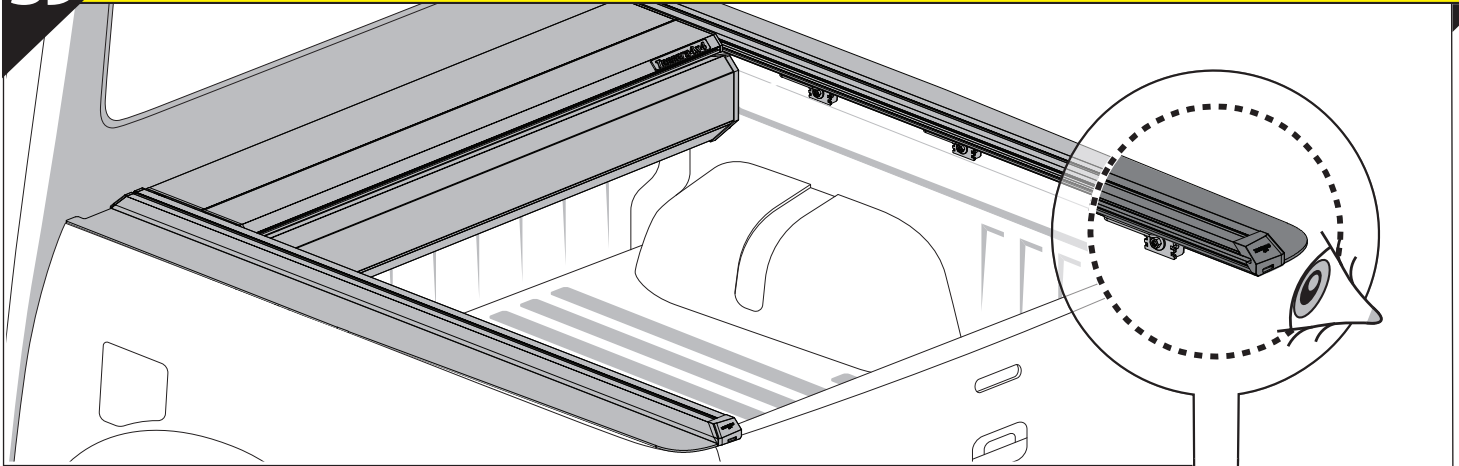


38

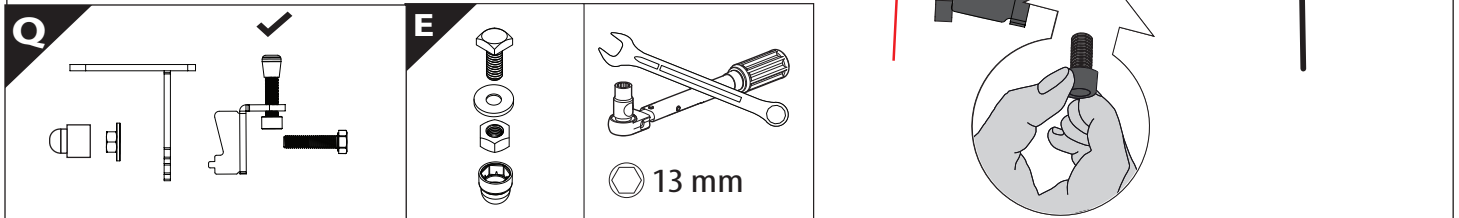
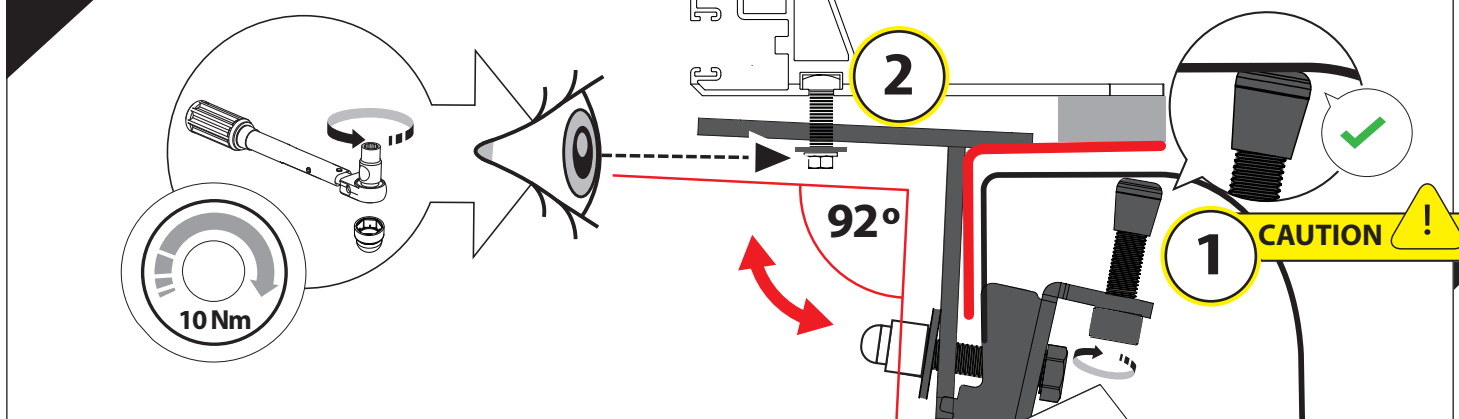


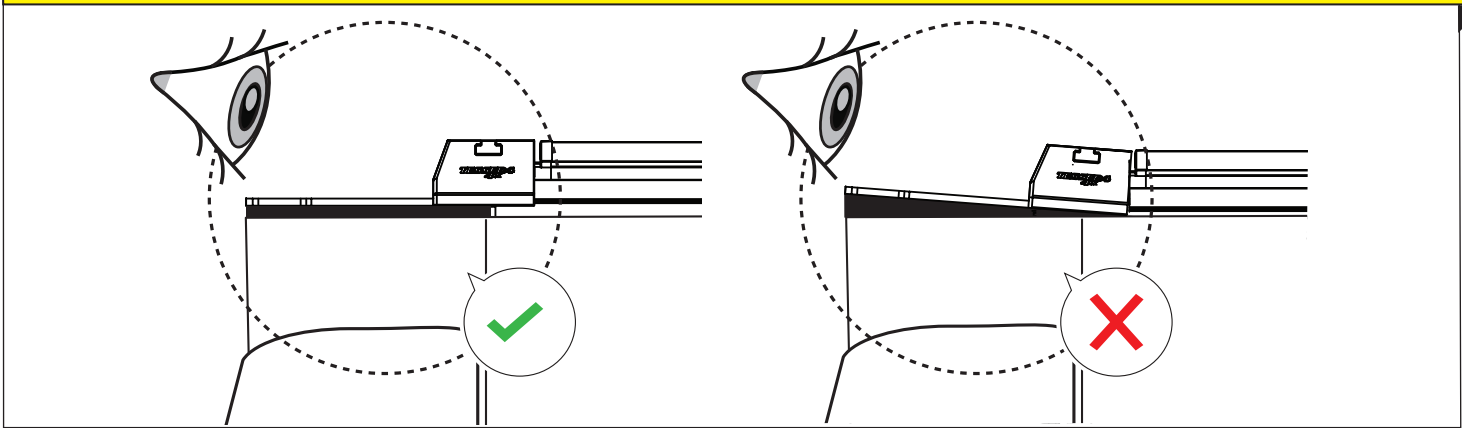
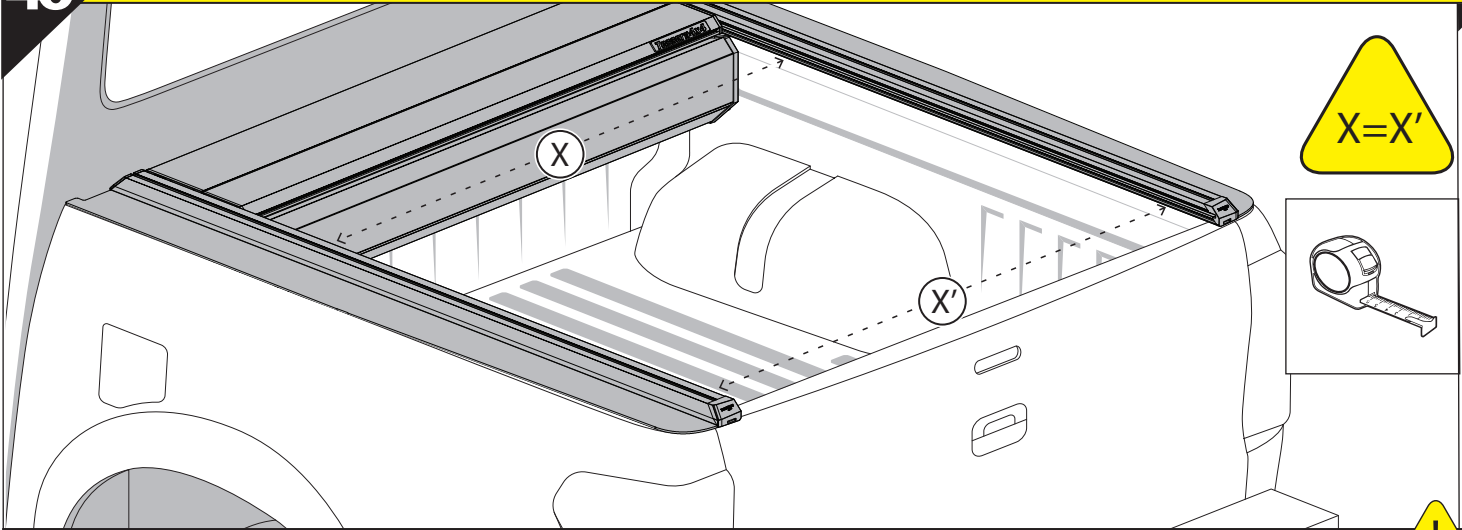
CAUTION !



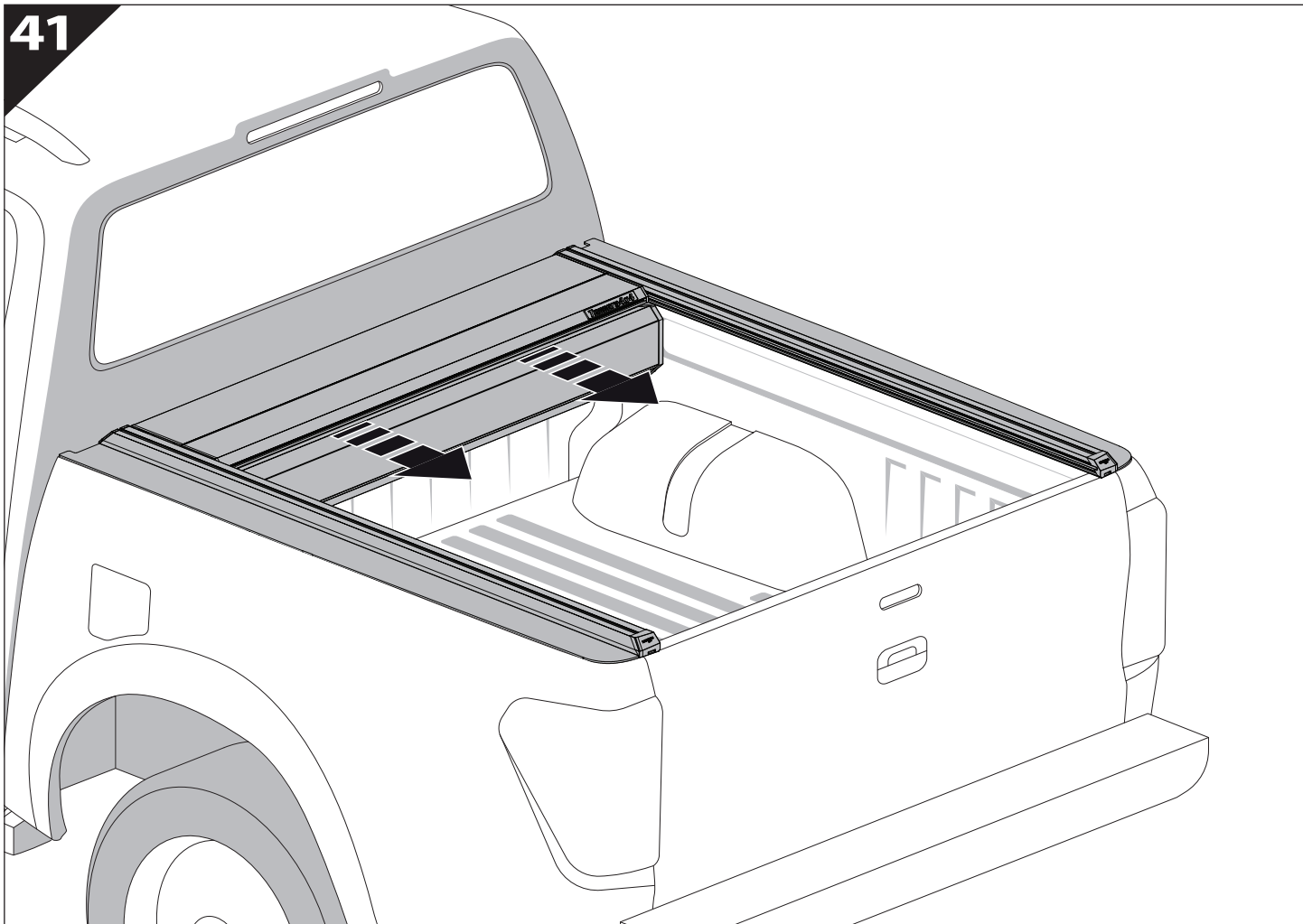


39.1

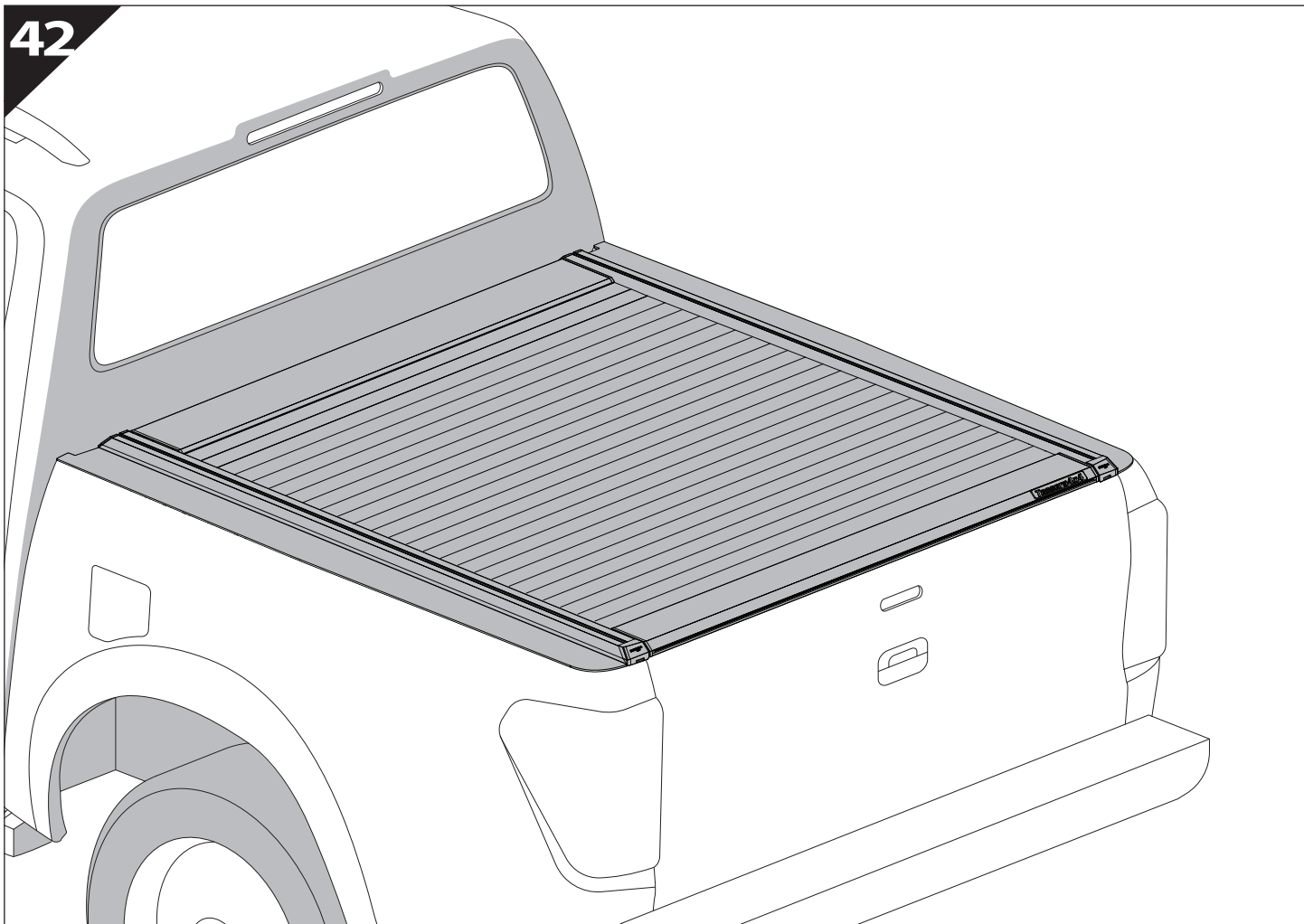




41



42









**GR:** Οδηγίες Εγκατάστασης  
**GB:** Installation manual  
**SF:** Asennusohje  
**F:** Notice de montage  
**PL:** Instrukcja montażu  
**NL:** Installatie-instructies  
**TR:** Montaj Talimatı  
**S:** Monteringsanvisning  
**E:** Instrucciones de montaje

**H:** Szerelési utasítás  
**P:** Instruções de instalação  
**RUS:** Инструкция по установке  
**N:** Monteringsveiledning  
**D:** Einbauanleitung  
**CZ:** Návod k instalaci  
**I:** Istruzioni de montaggio  
**DK:** Monteringsvejledning  
**RO:** Instructiuni de instalare

Customer Service:

+30 (210) 5541161, +30 (210) 5541154 (08:00 - 16:00 EET)

Support department:

[info@gianso.gr](mailto:info@gianso.gr)

Website:

[www.tessera4x4.com](http://www.tessera4x4.com)

Address:

19.5 km of National road Athens-Korinthos (Elefsina) Greece, P.C: 19200