

# Tessera Roll+

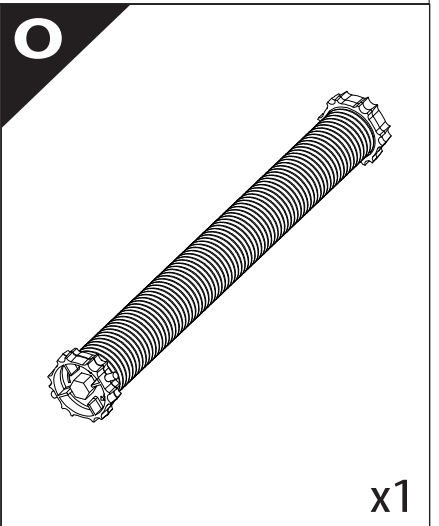
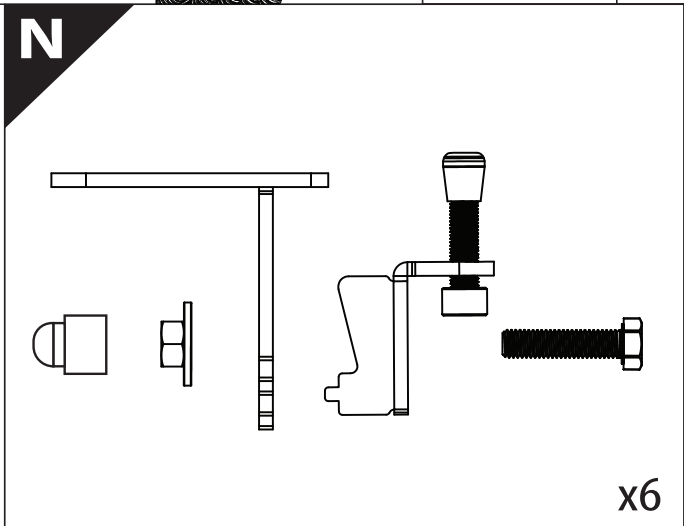
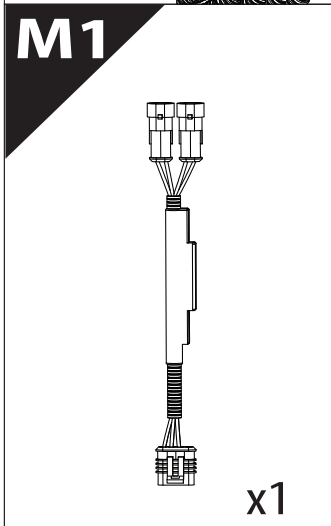
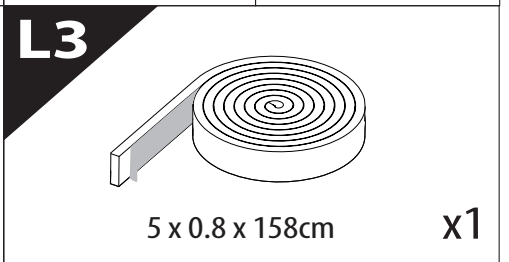
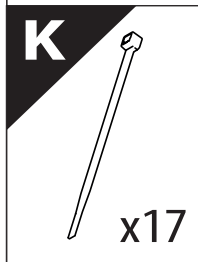
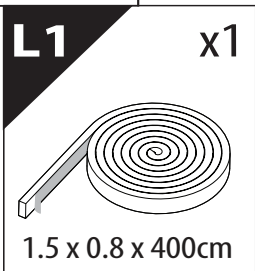
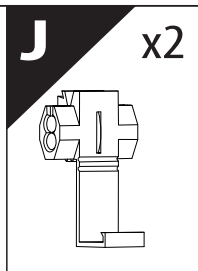
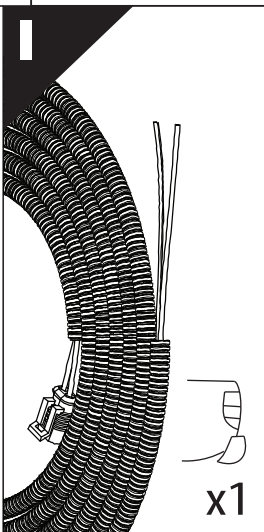
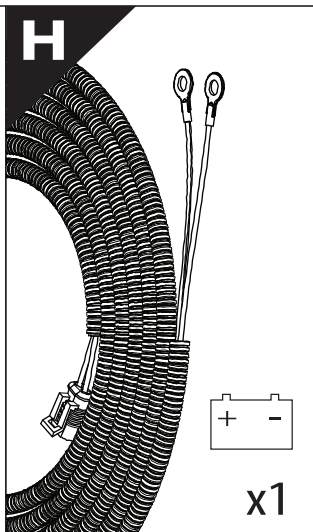
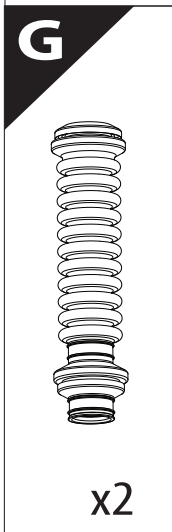
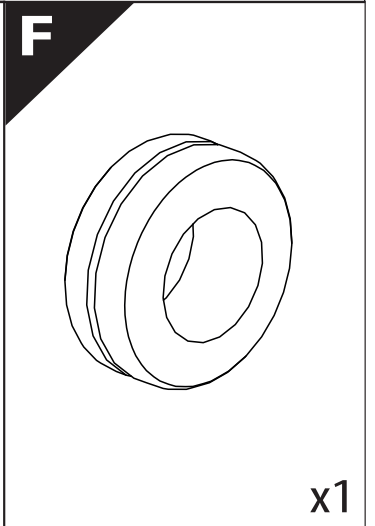
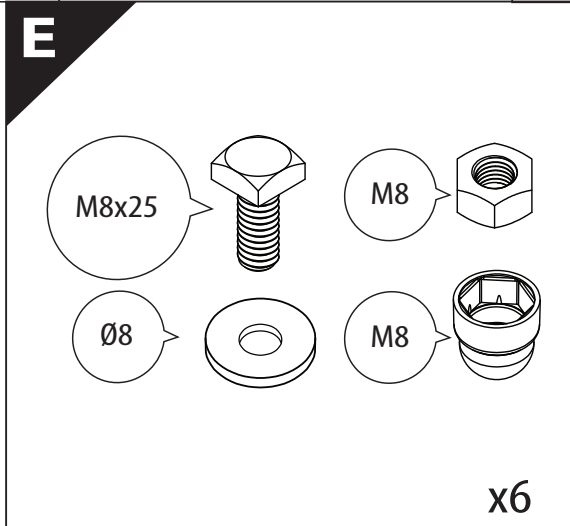
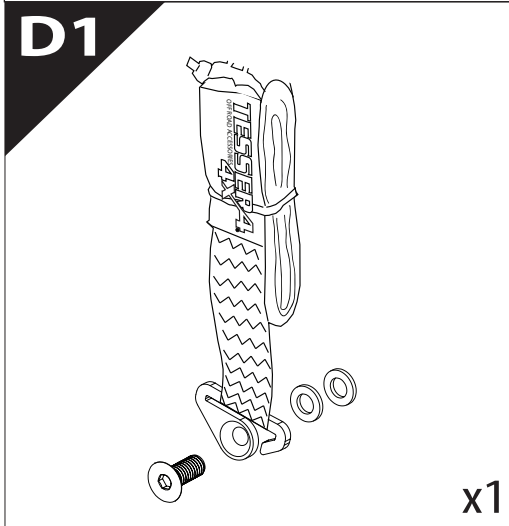
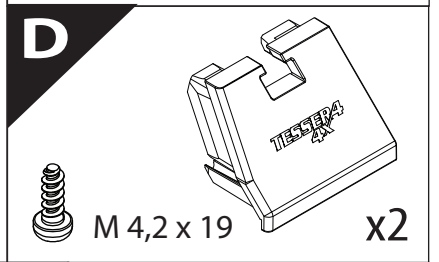
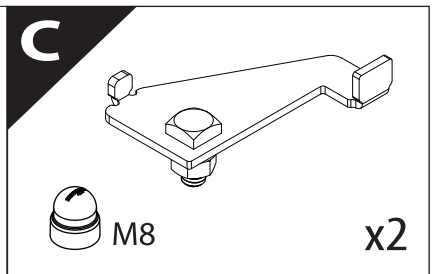
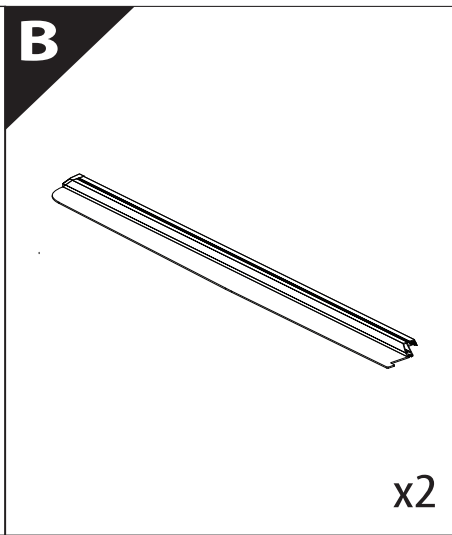
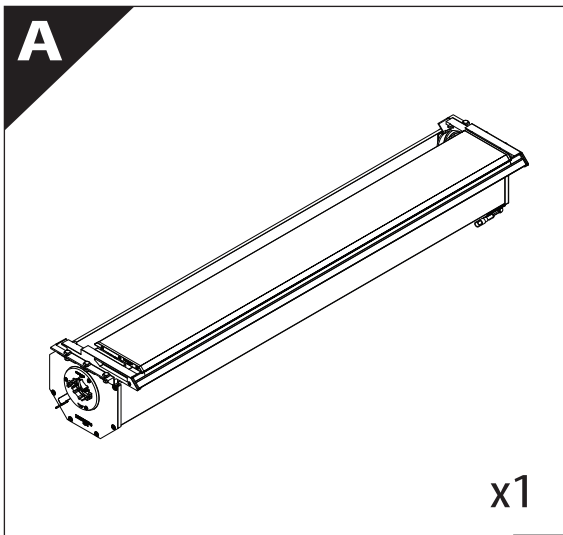
## Basic Version + ⚙️ S-KIT

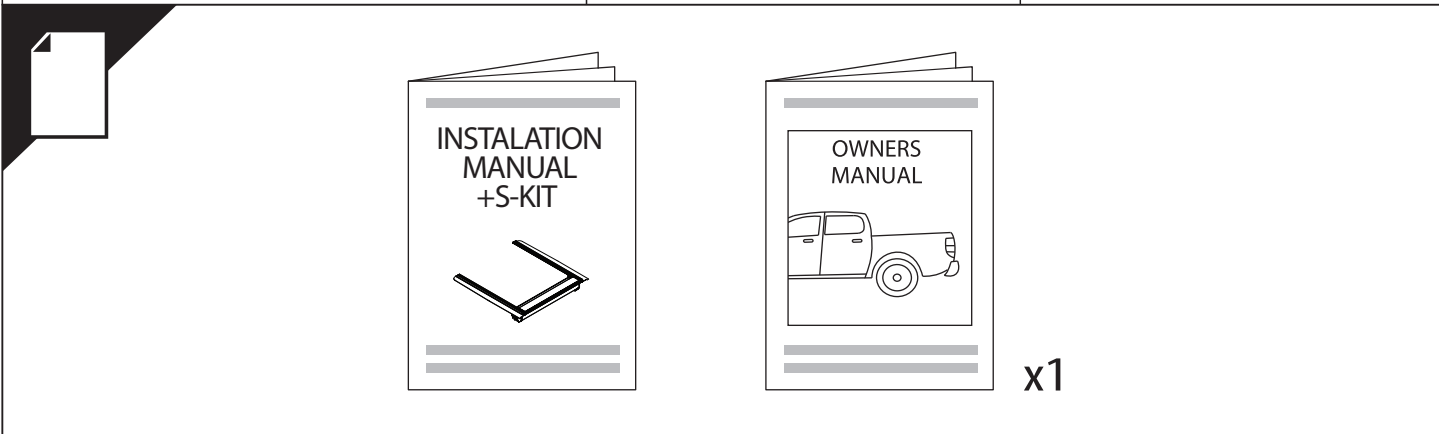
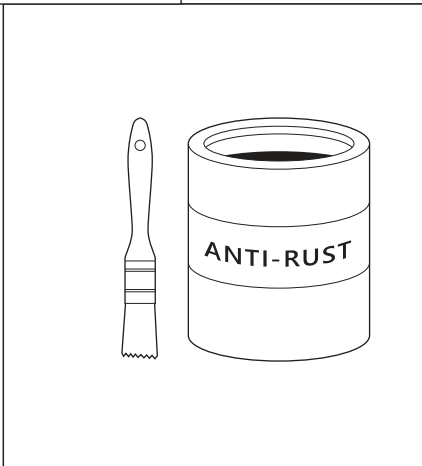
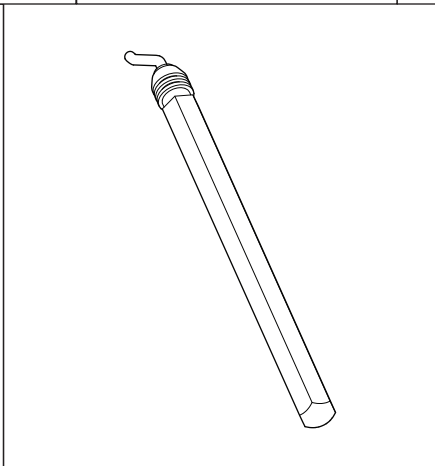
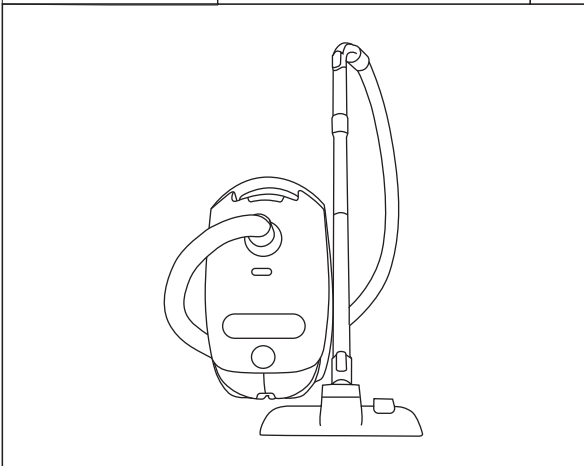
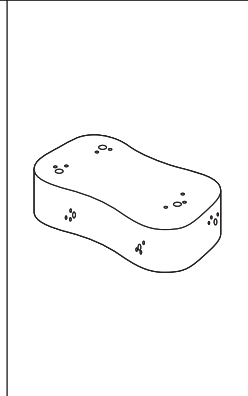
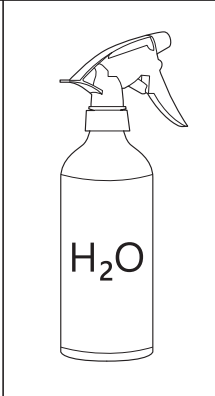
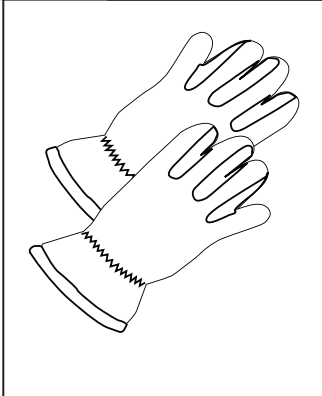
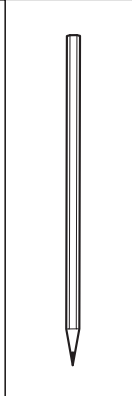
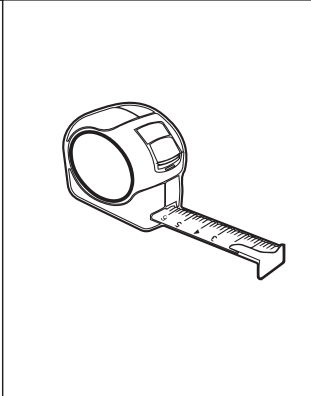
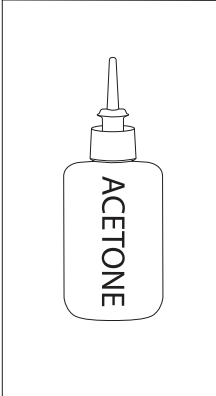
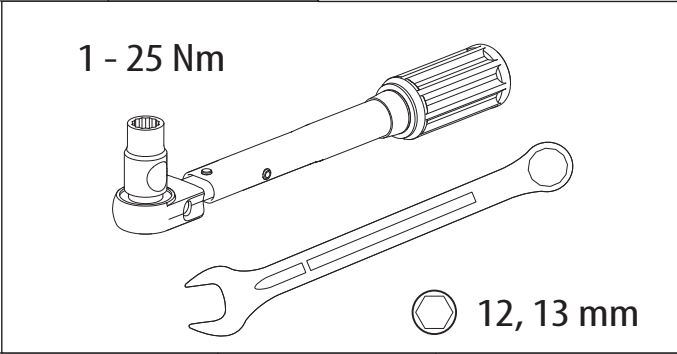
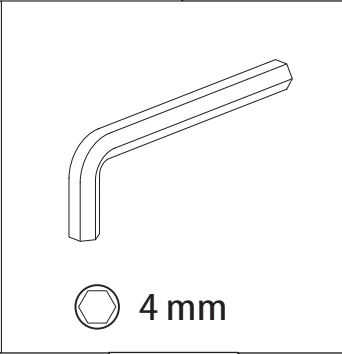
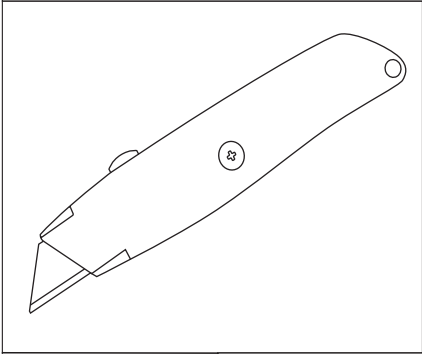
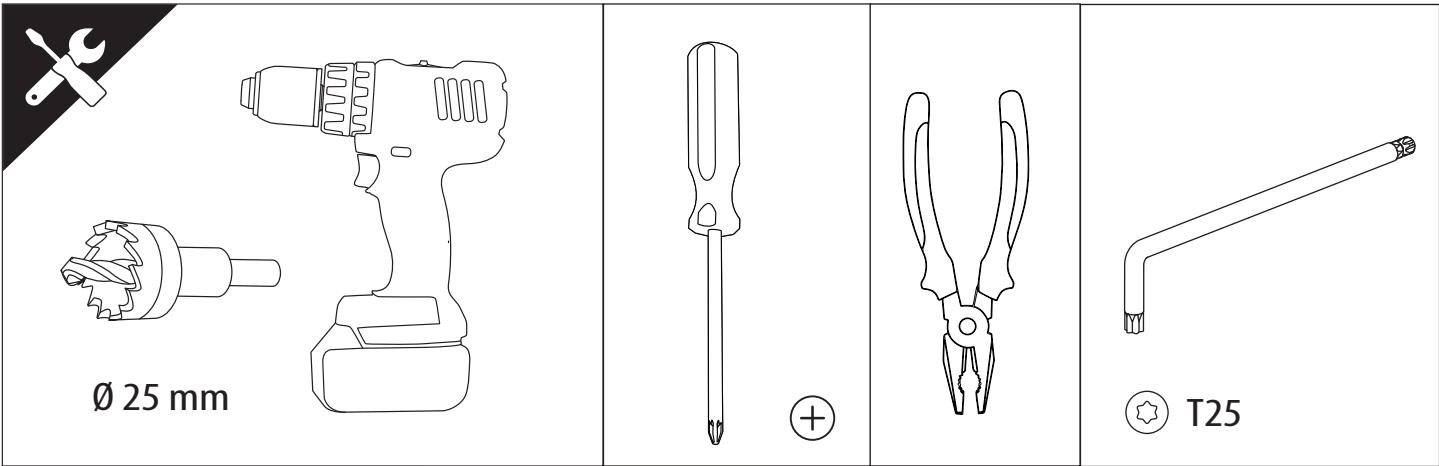


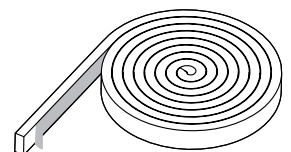
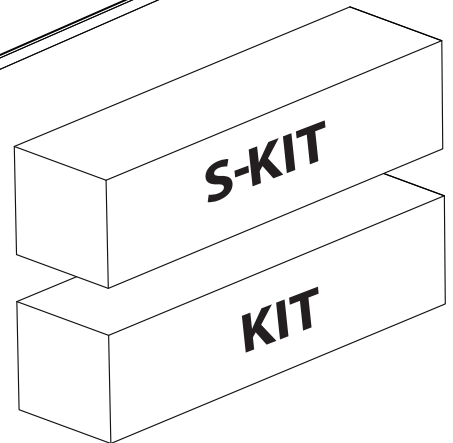
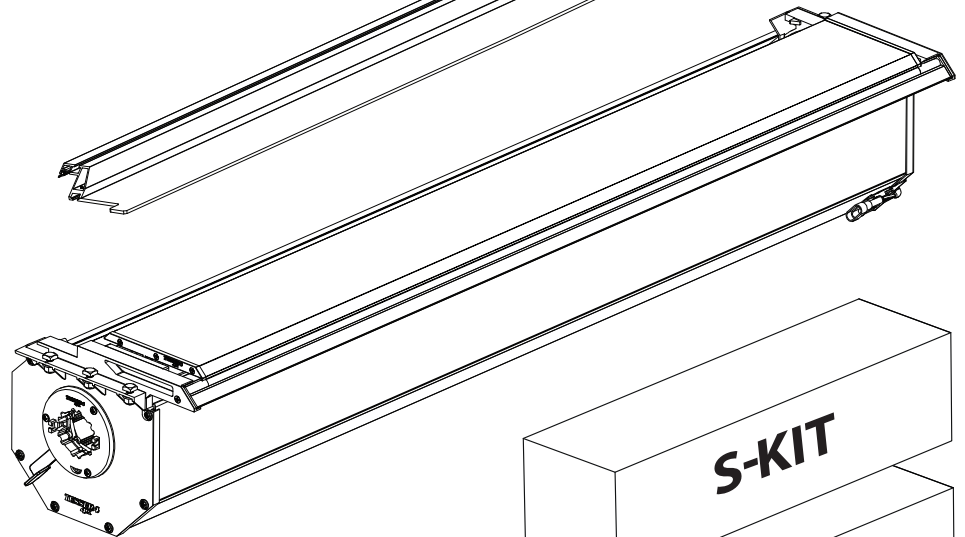
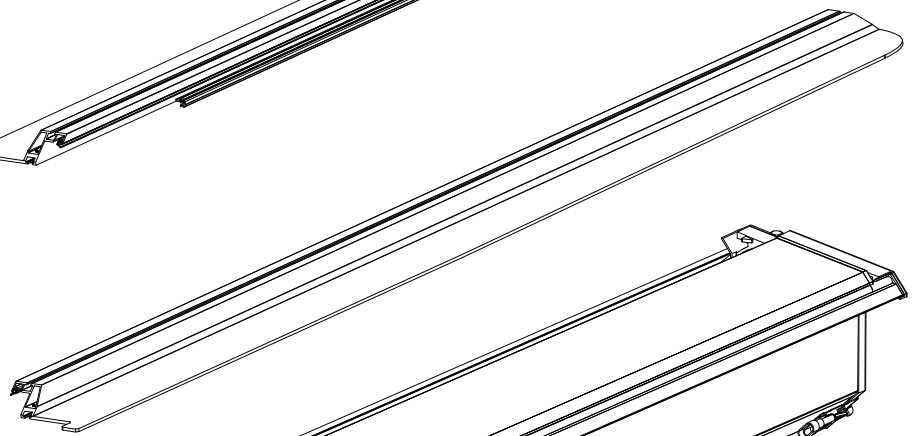
## Installation Manual

PART NUMBER(S)	Model Year
TESS 1424 ROLL+S-KIT	Dodge Ram 1500 2002+
TESS 14241 ROLL+ S-KIT	
Cab(s)	Installation Time / Weight
Short Bed 5.7" & Standard Bed 6.4"	40-60 minutes / 53-57 kg







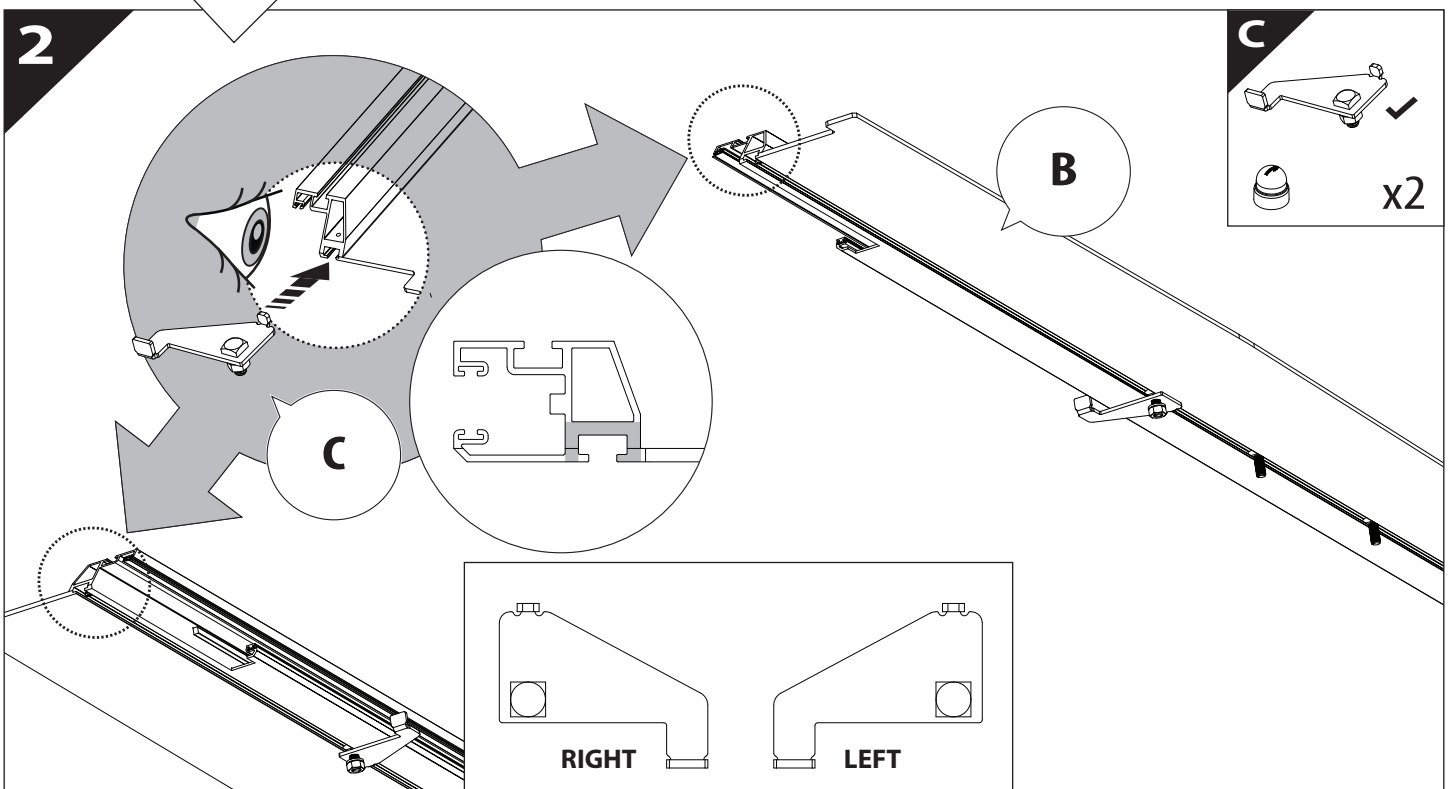
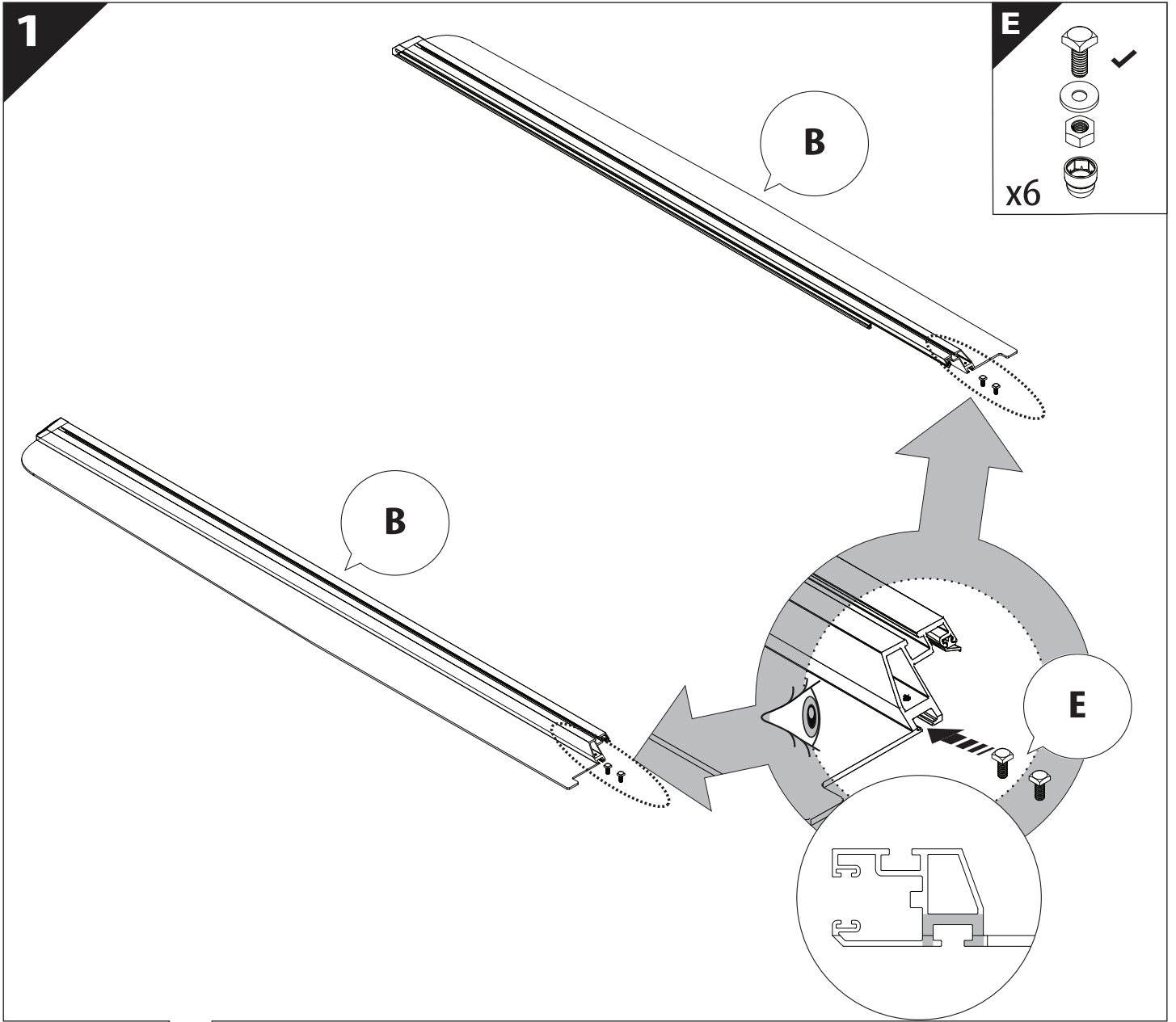


**B**

**A**

**KITS**

**L**

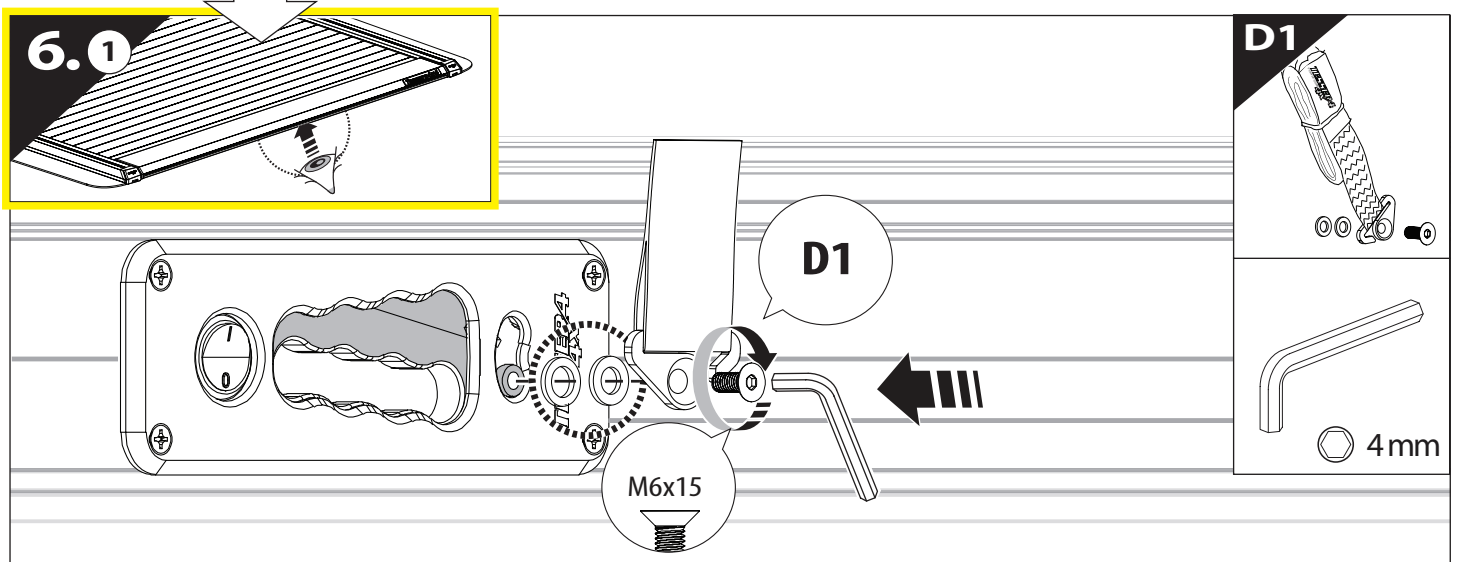
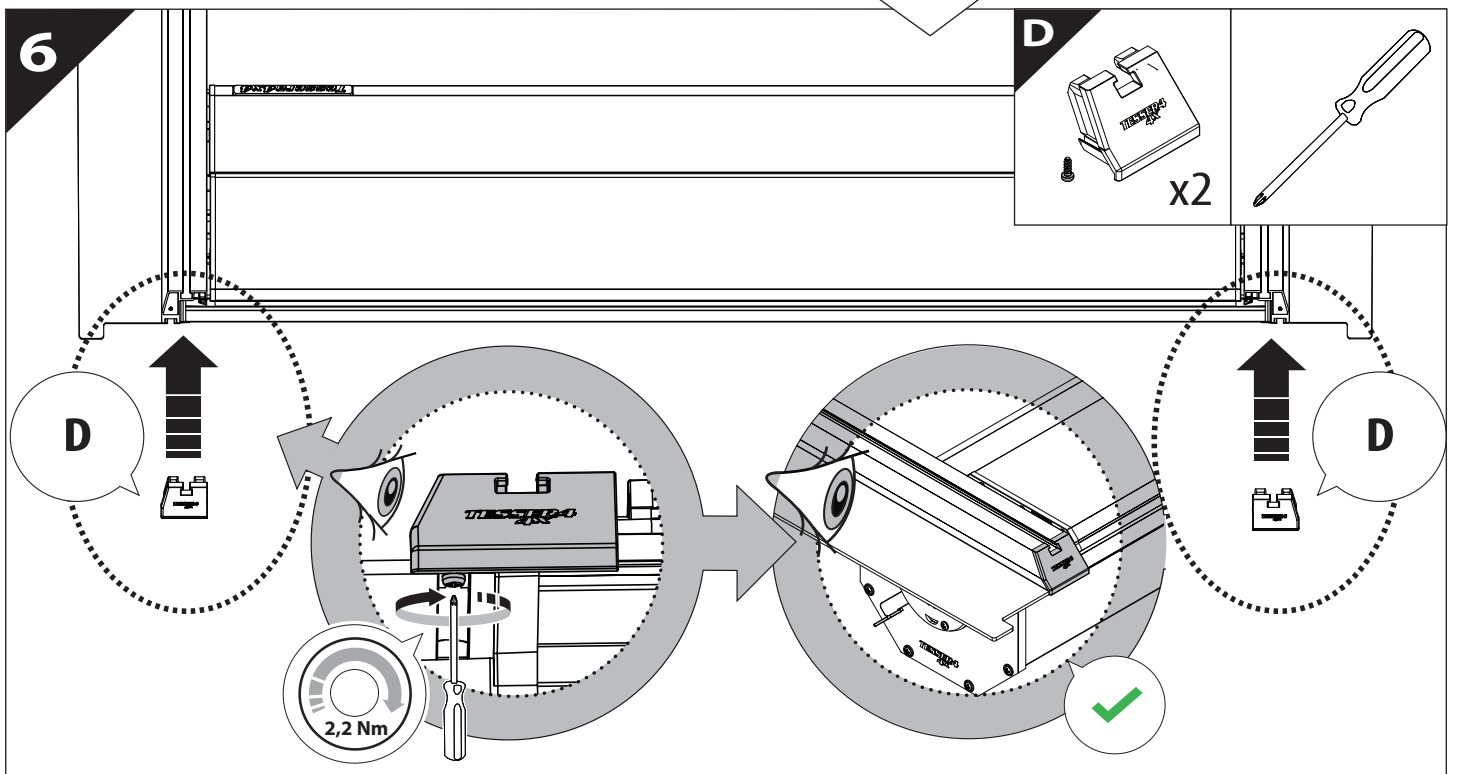
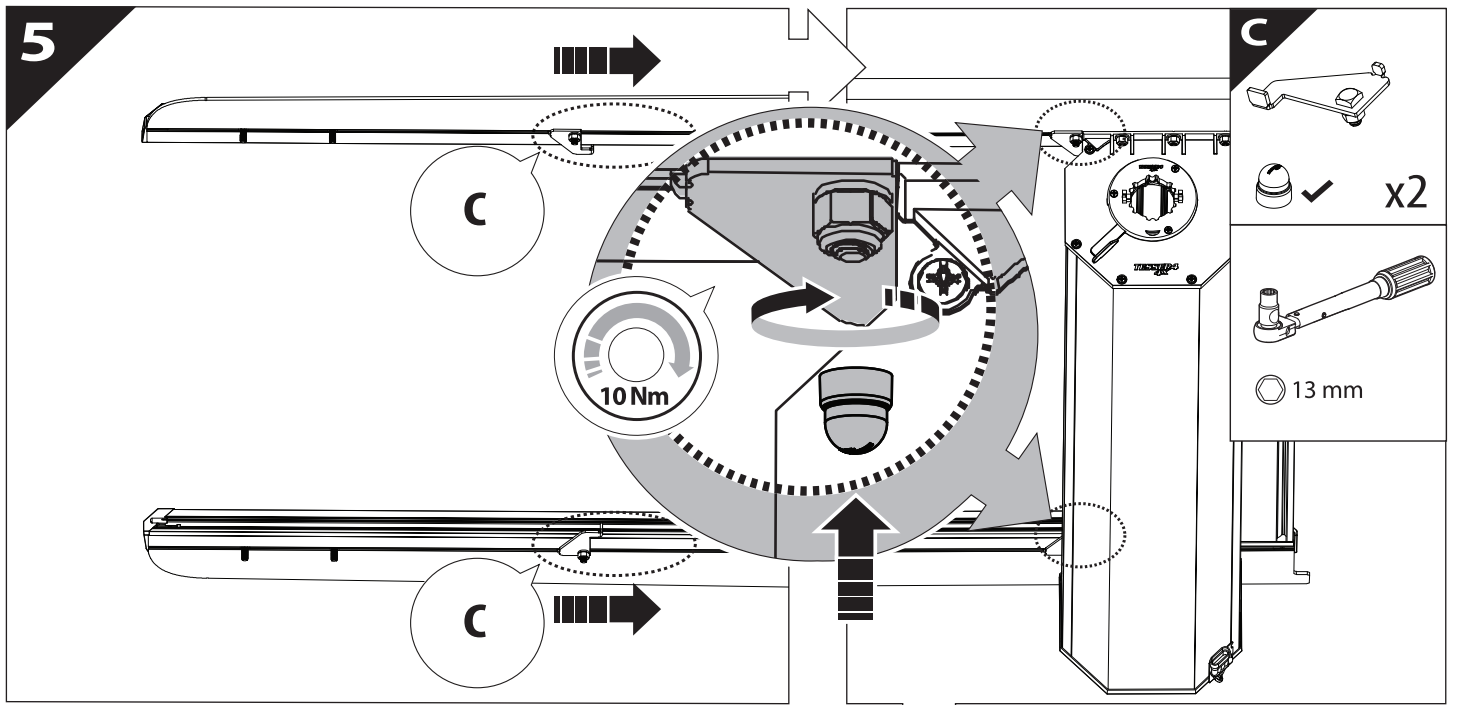


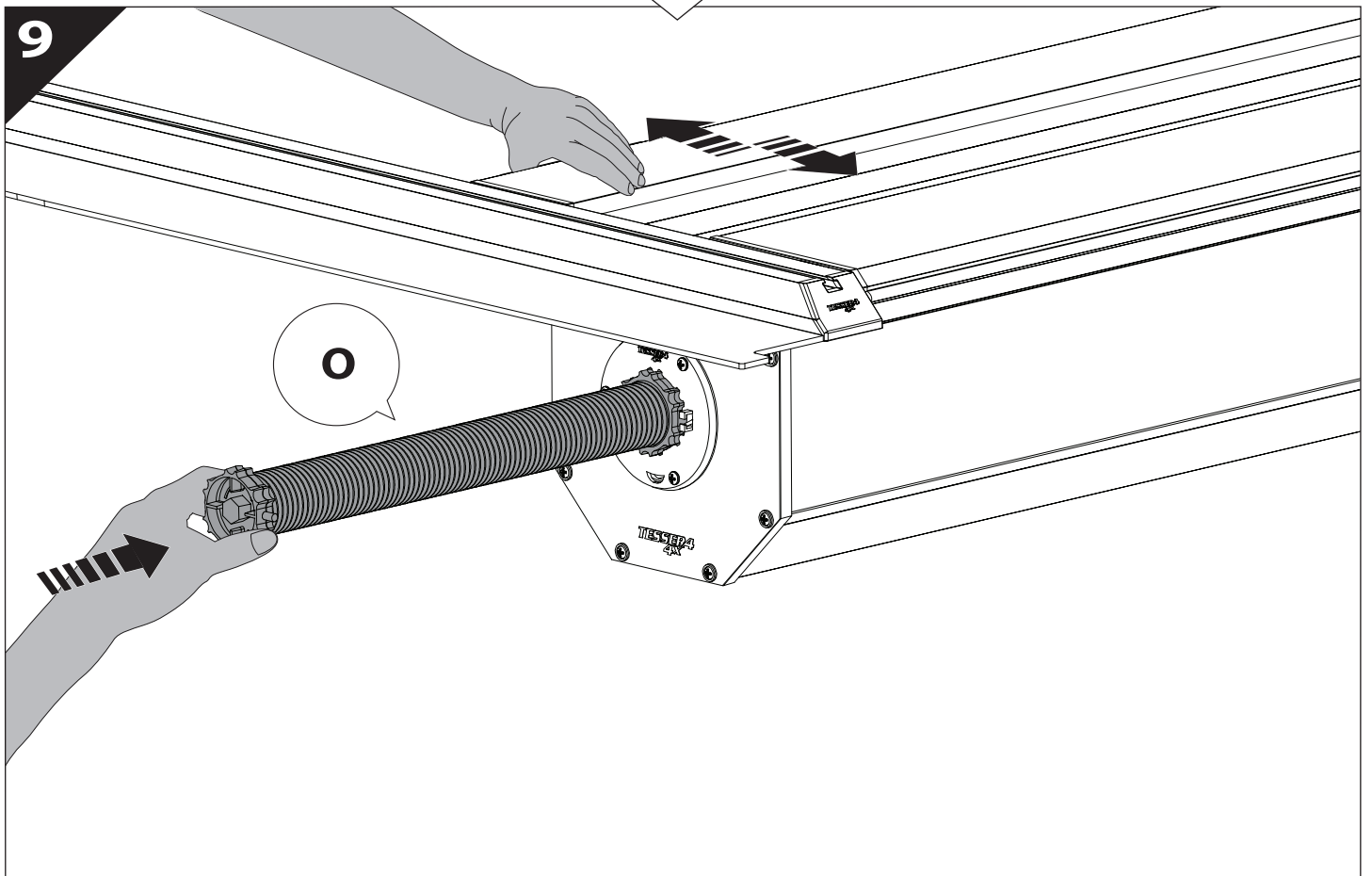
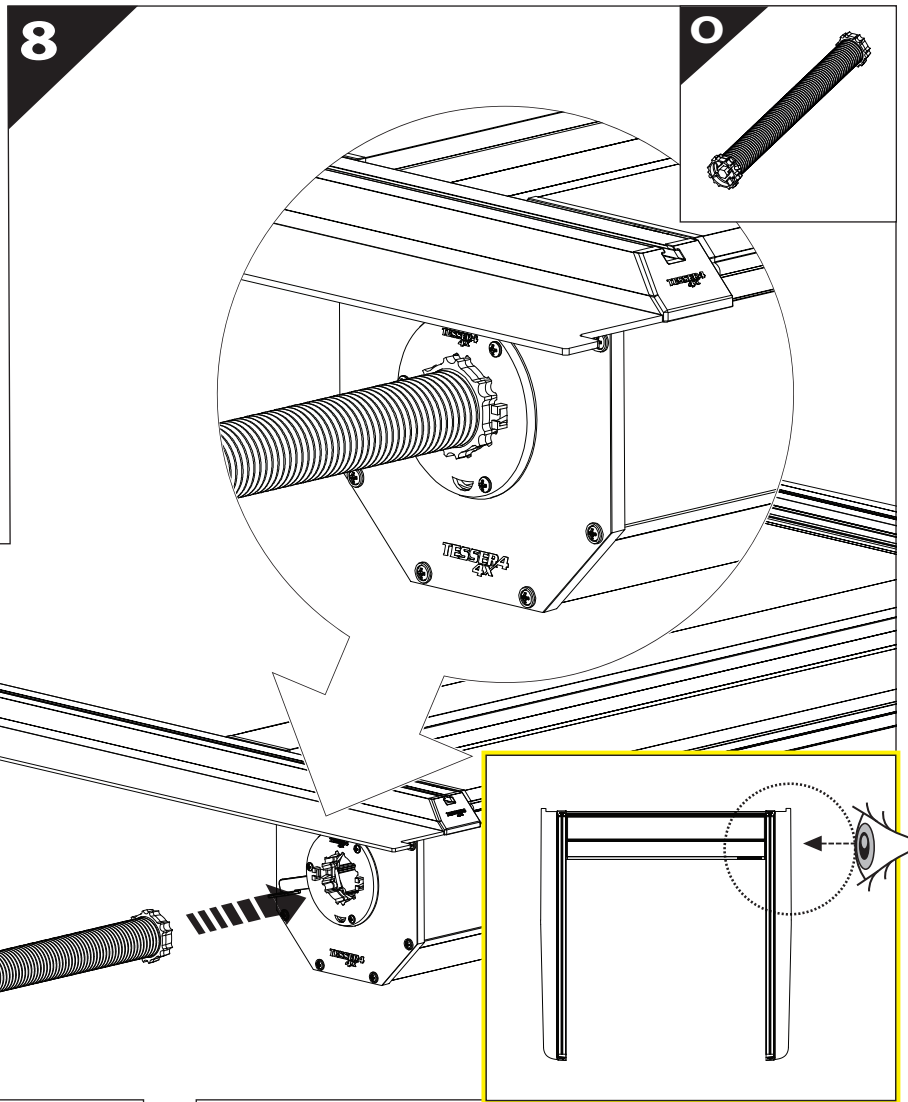
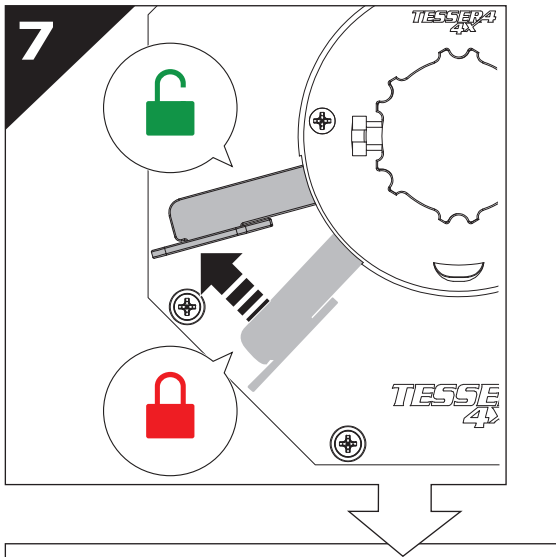
3

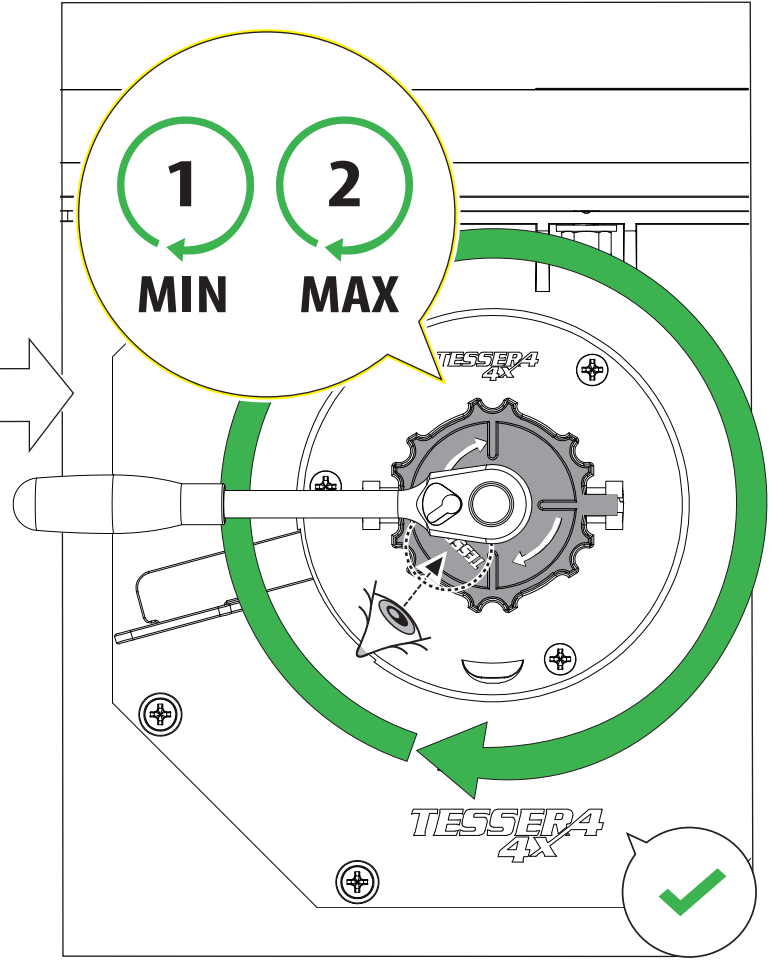
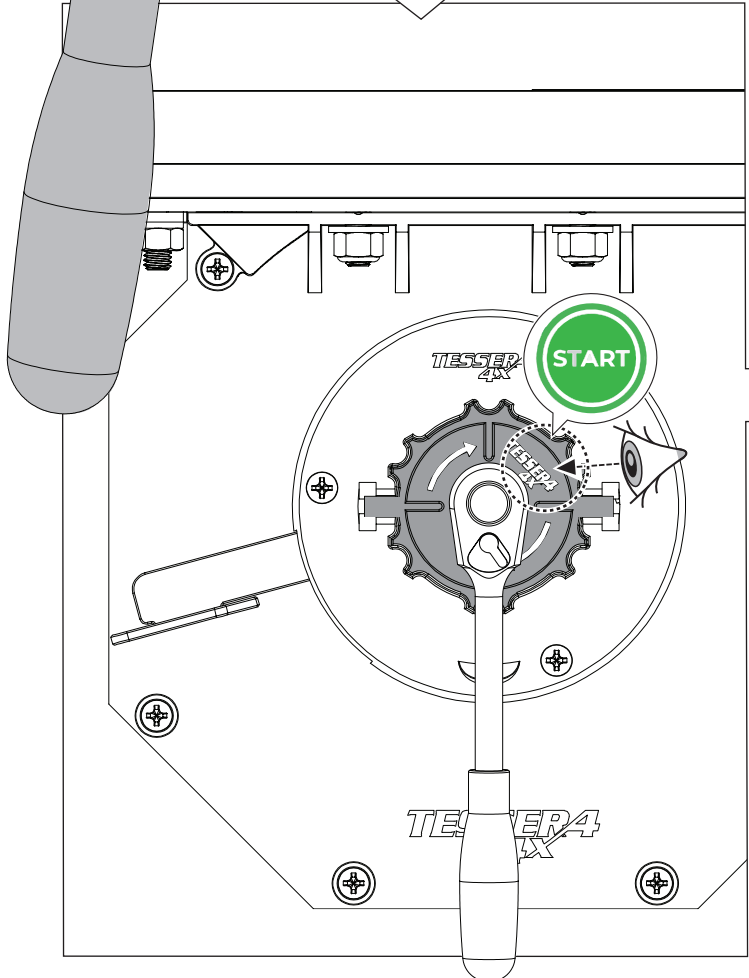
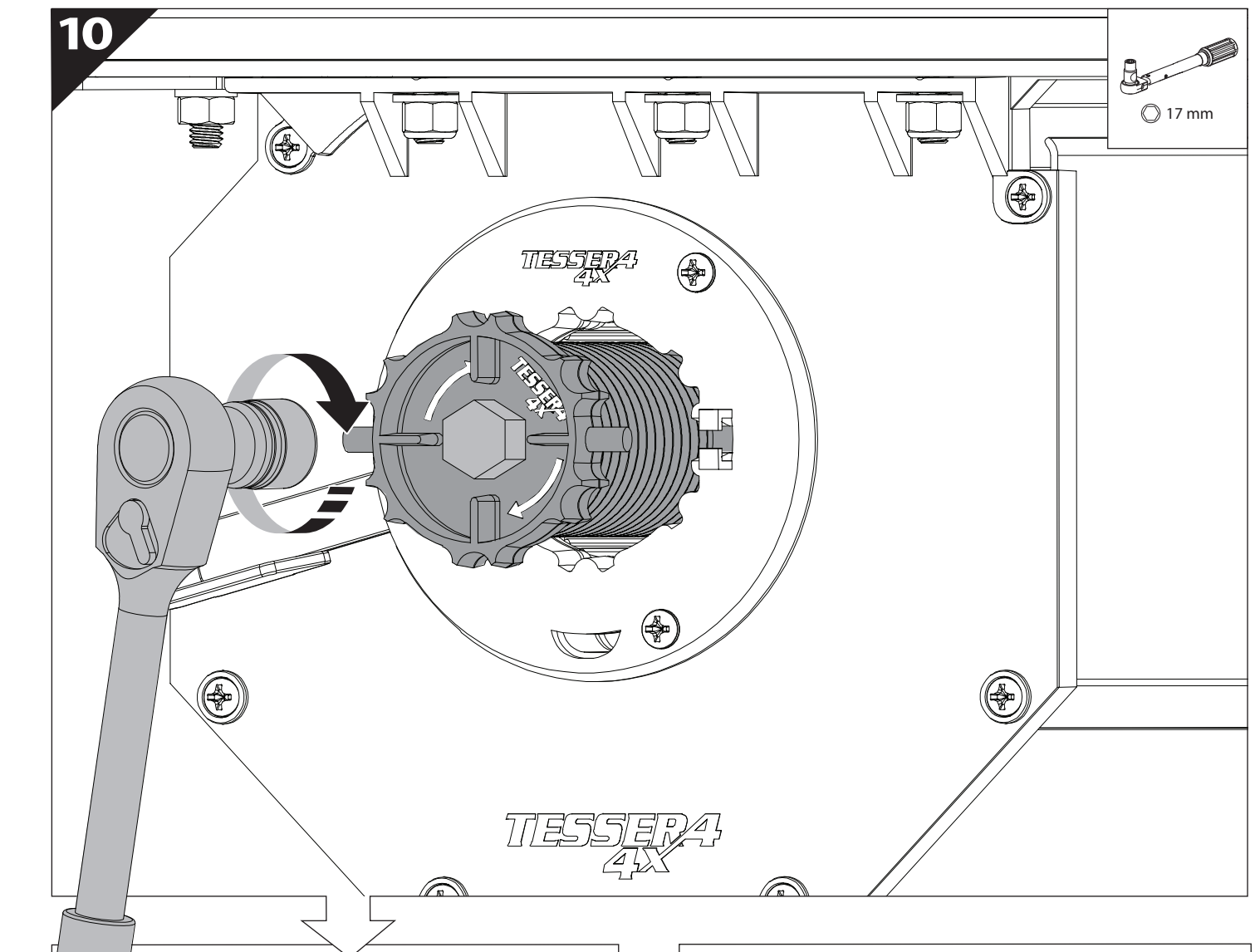
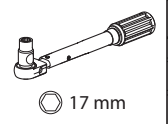


4

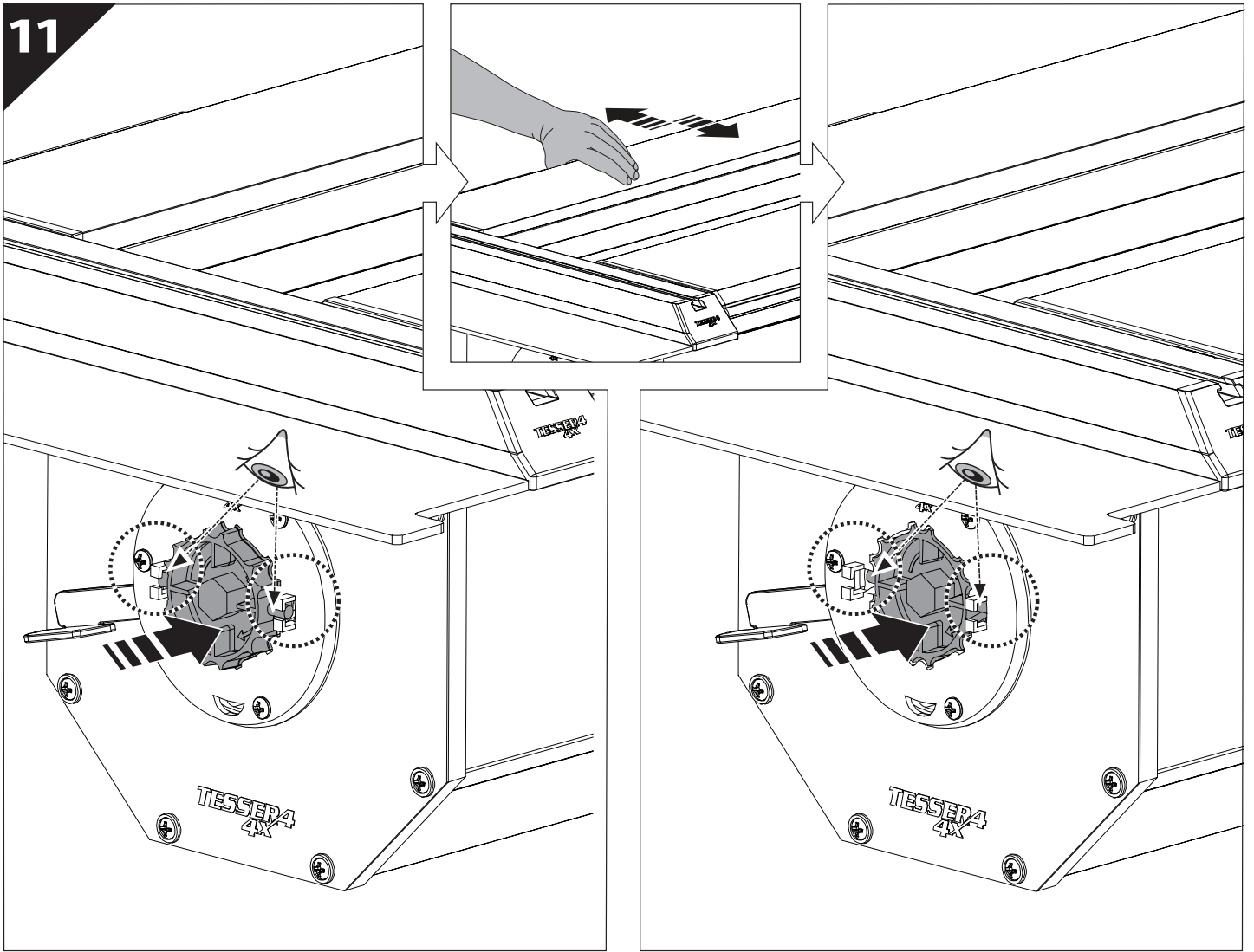




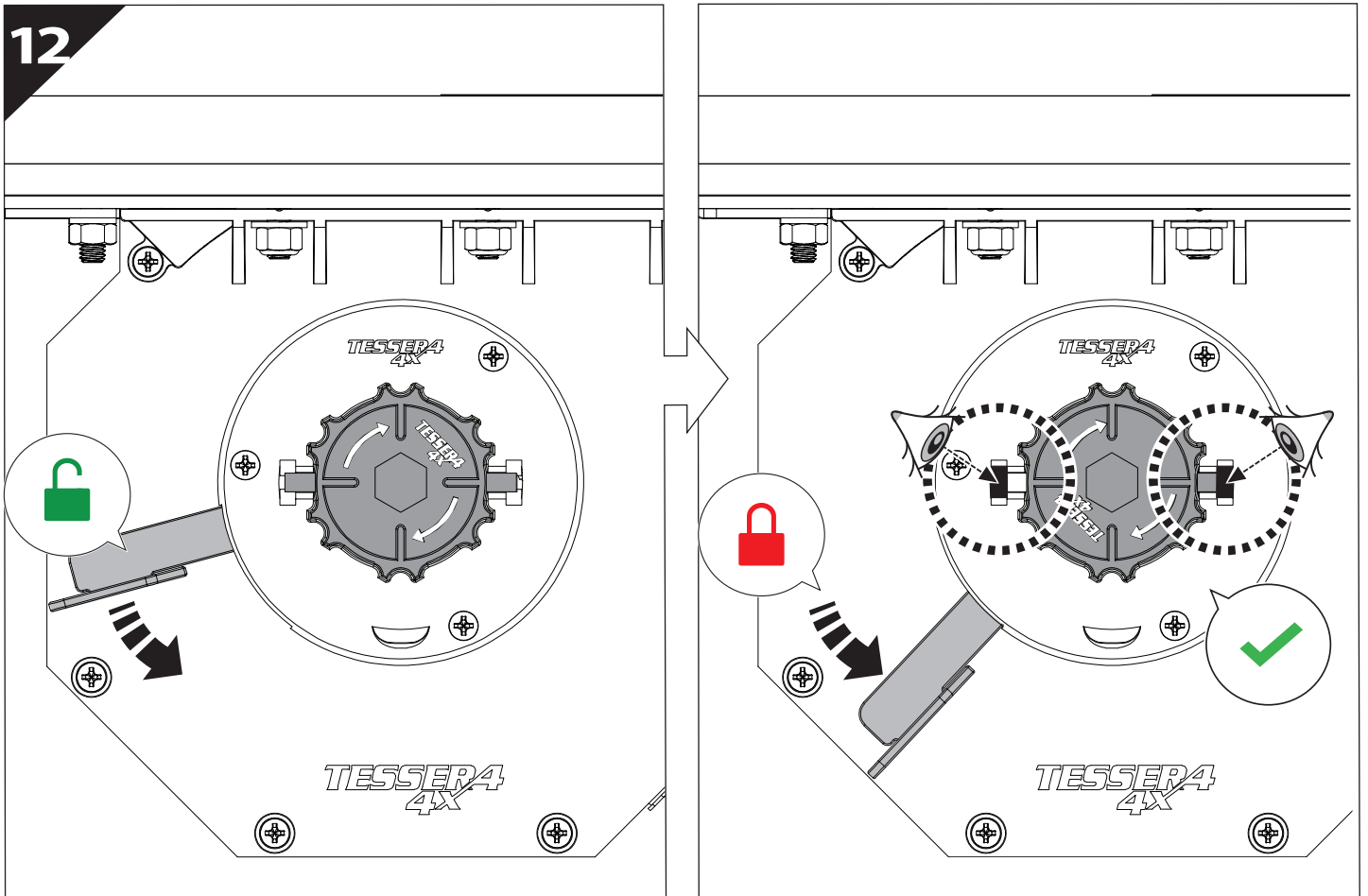




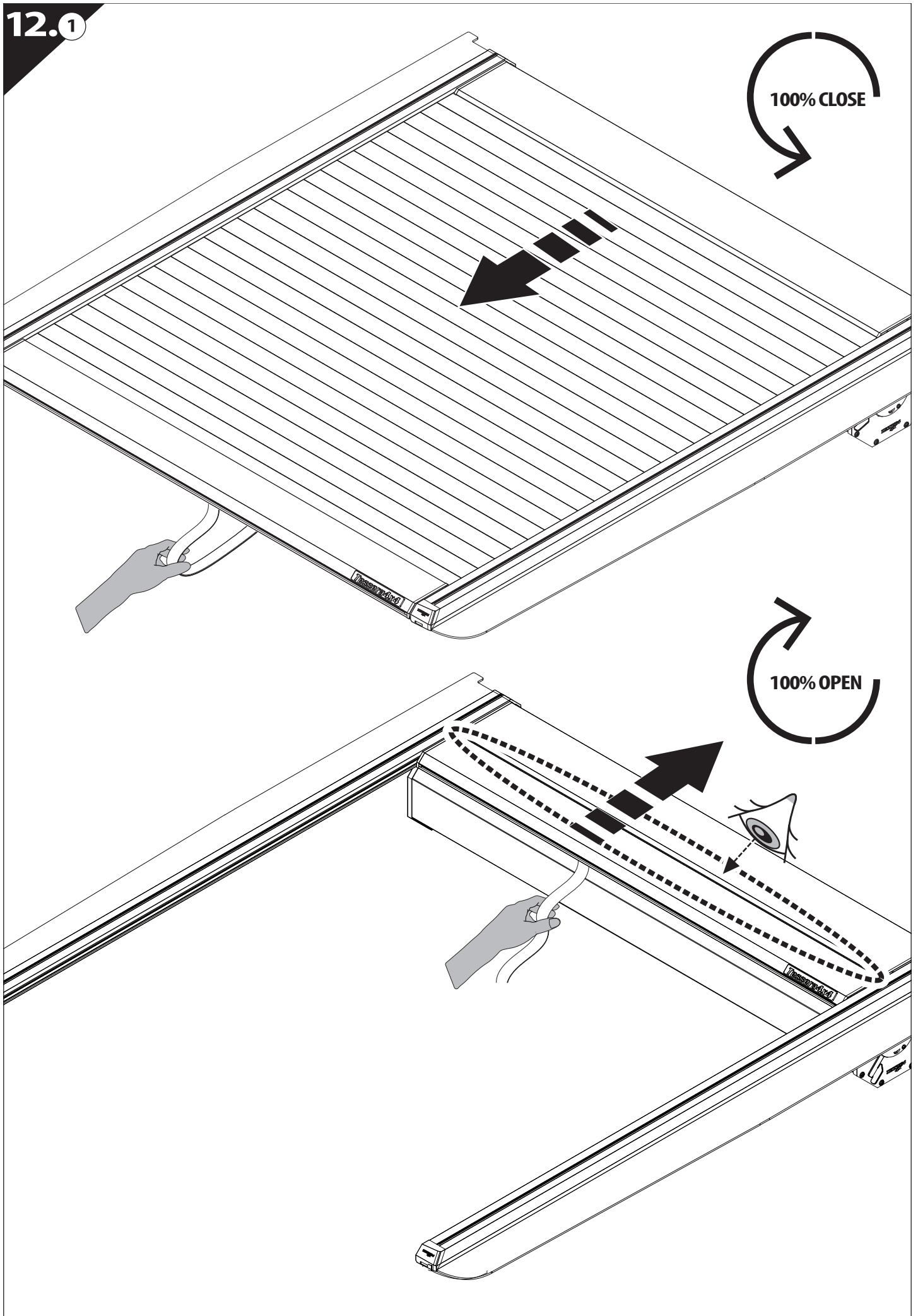
11



12

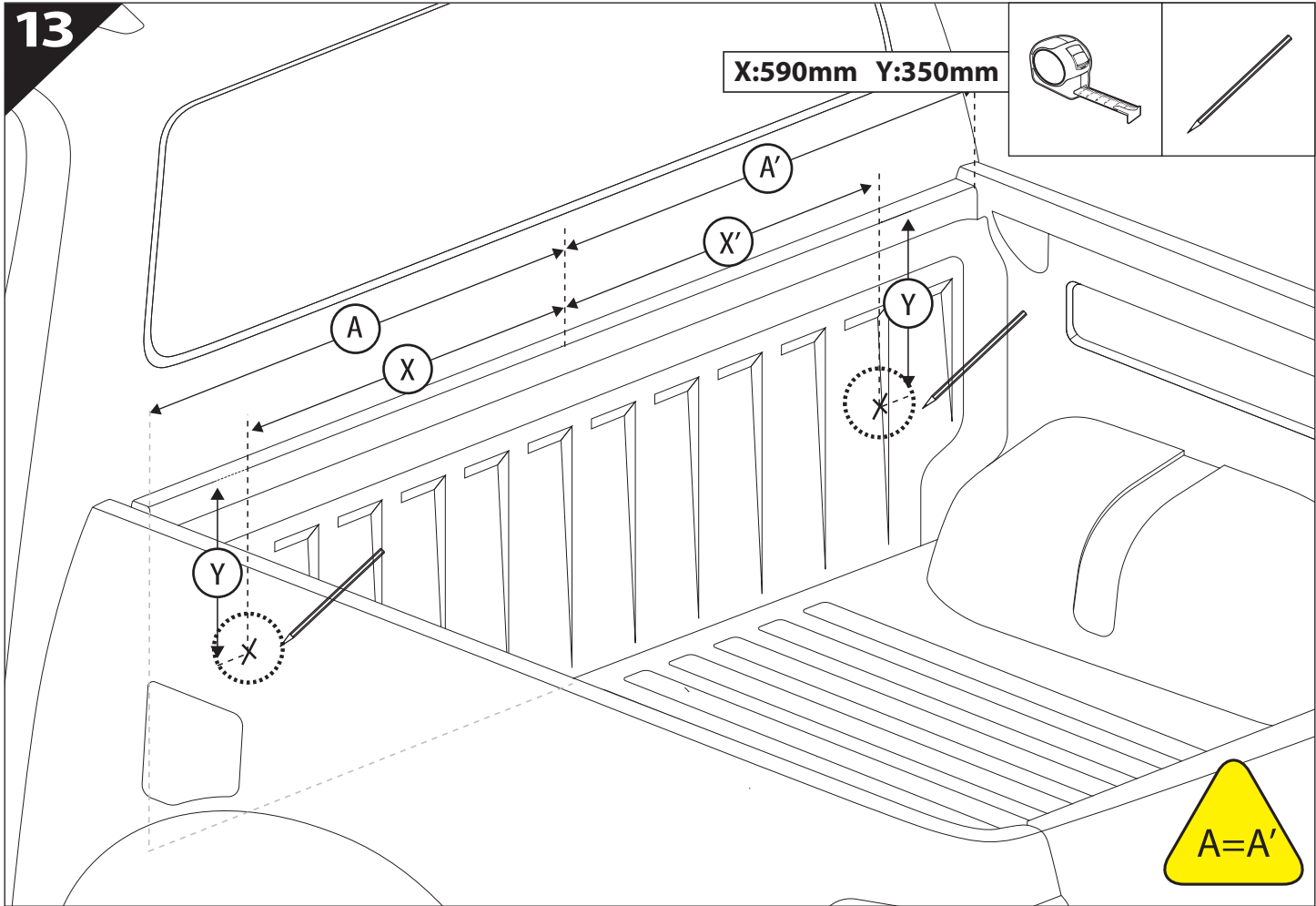
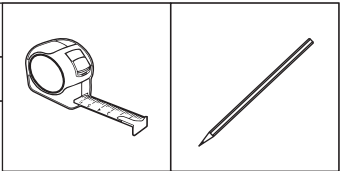


12.0



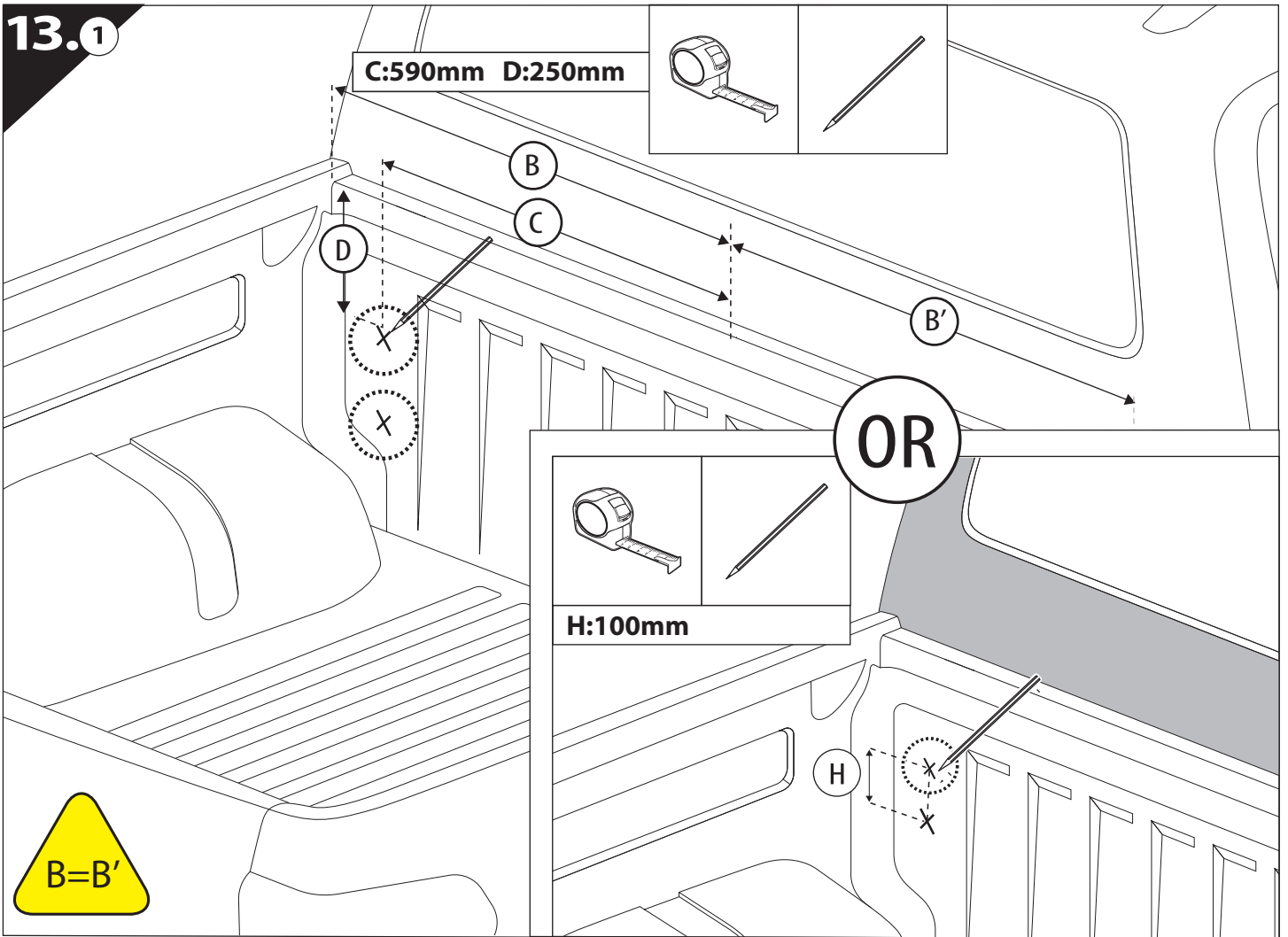
13

X:590mm Y:350mm

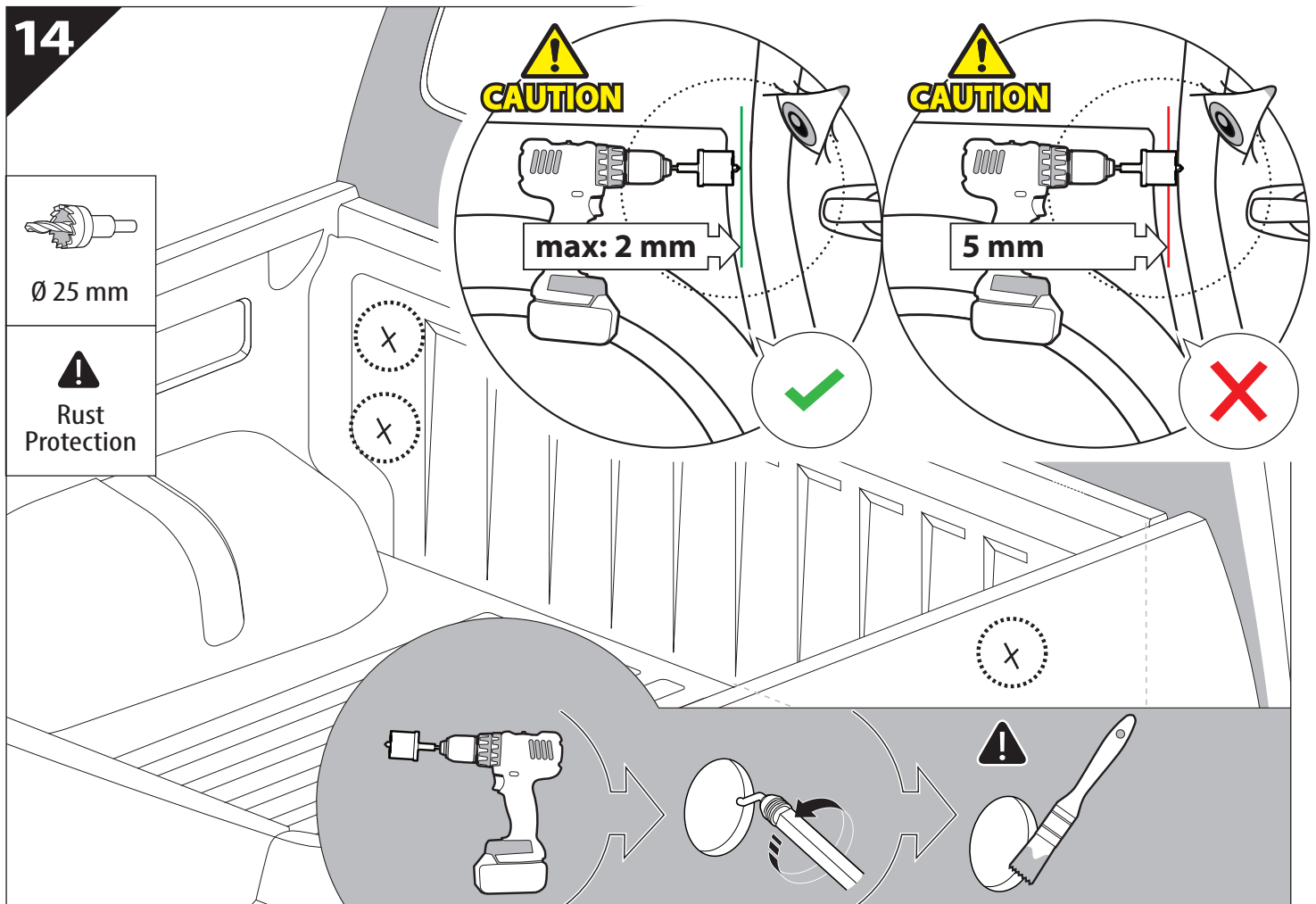


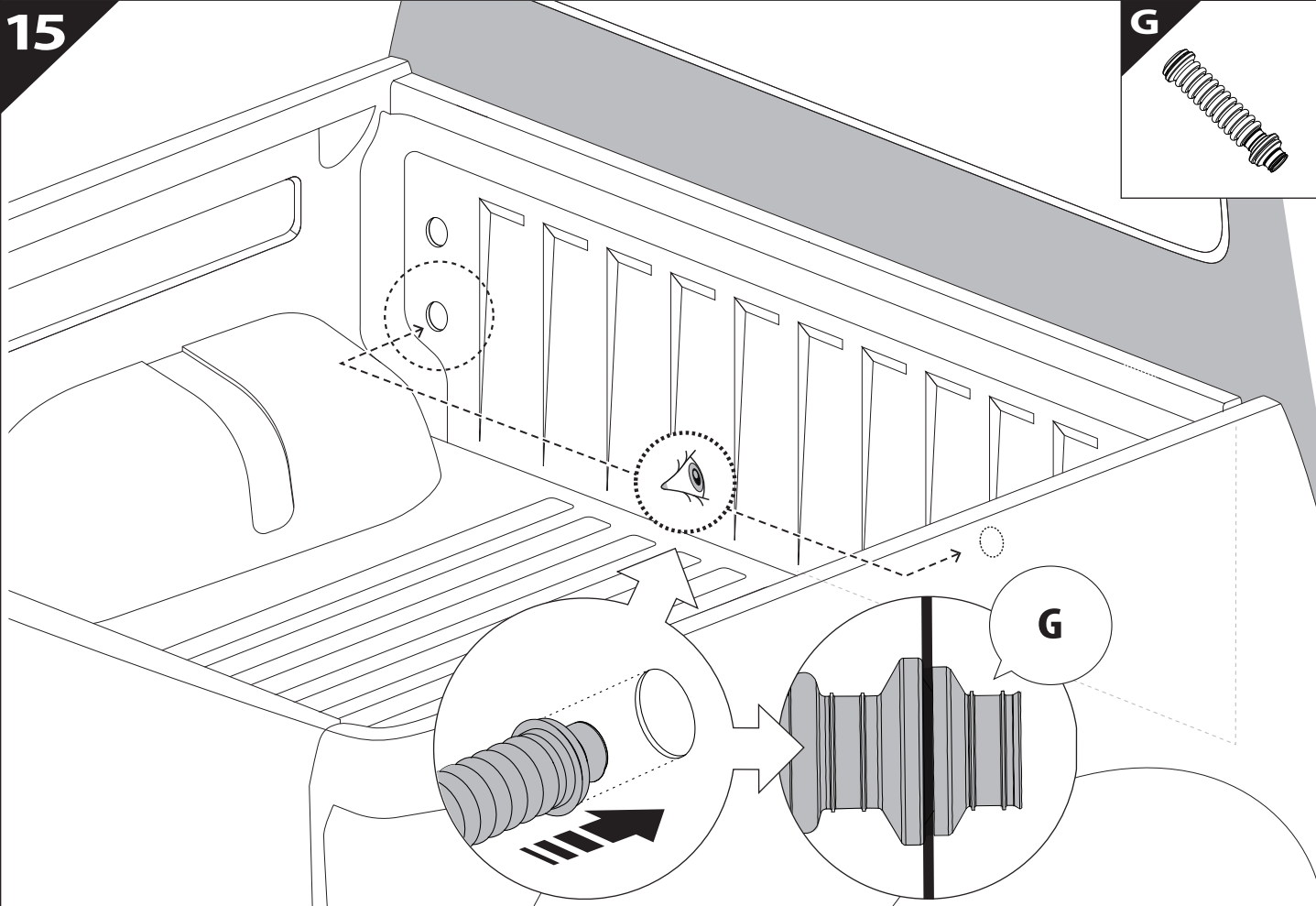
A=A'

# 13.0

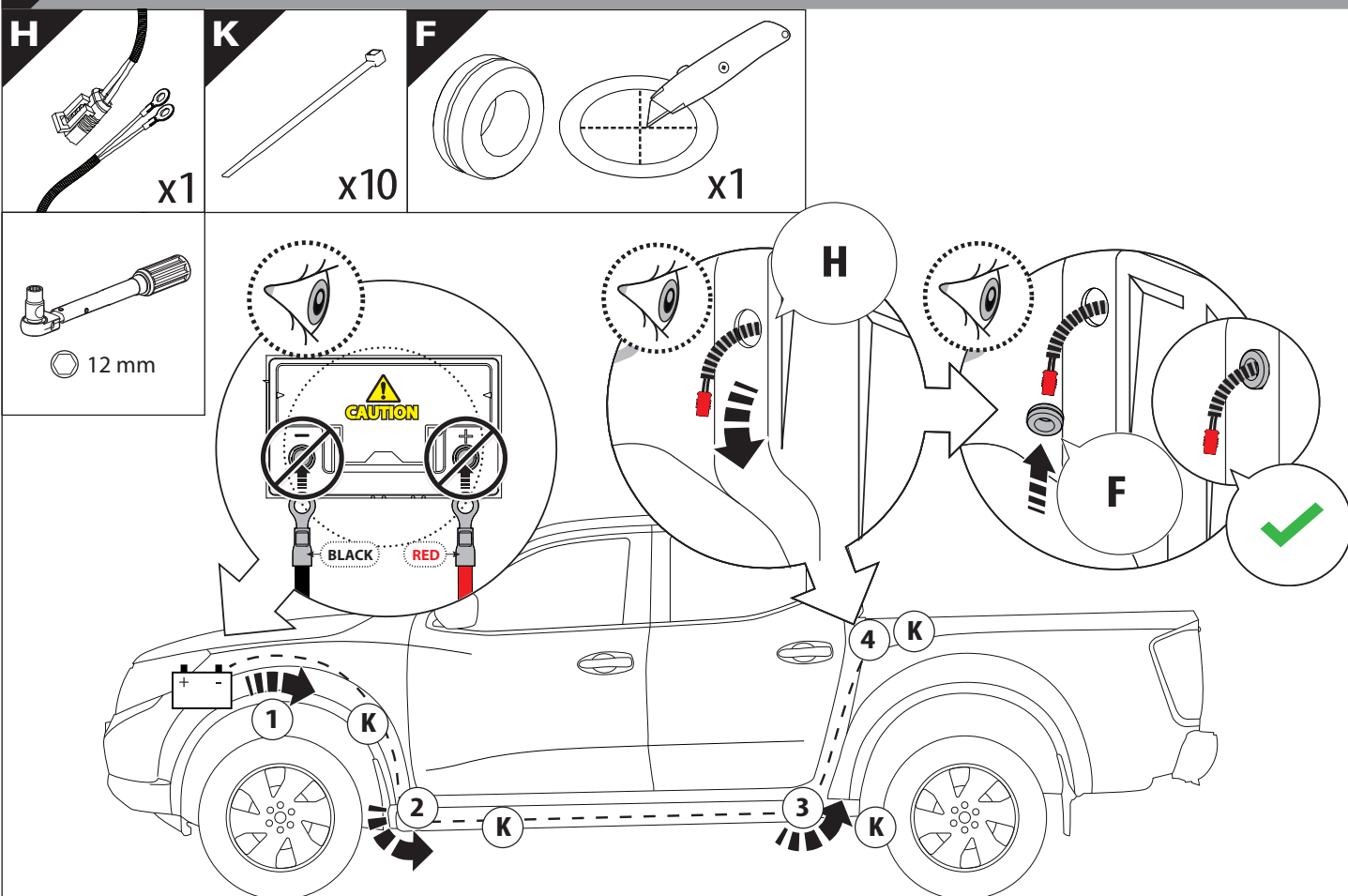


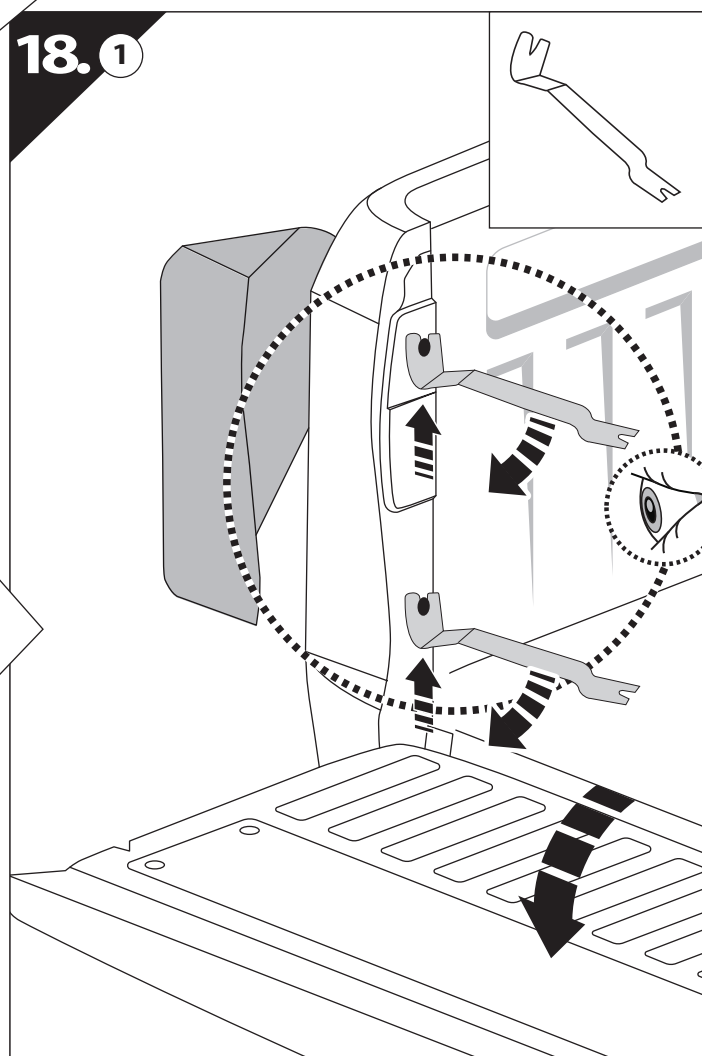
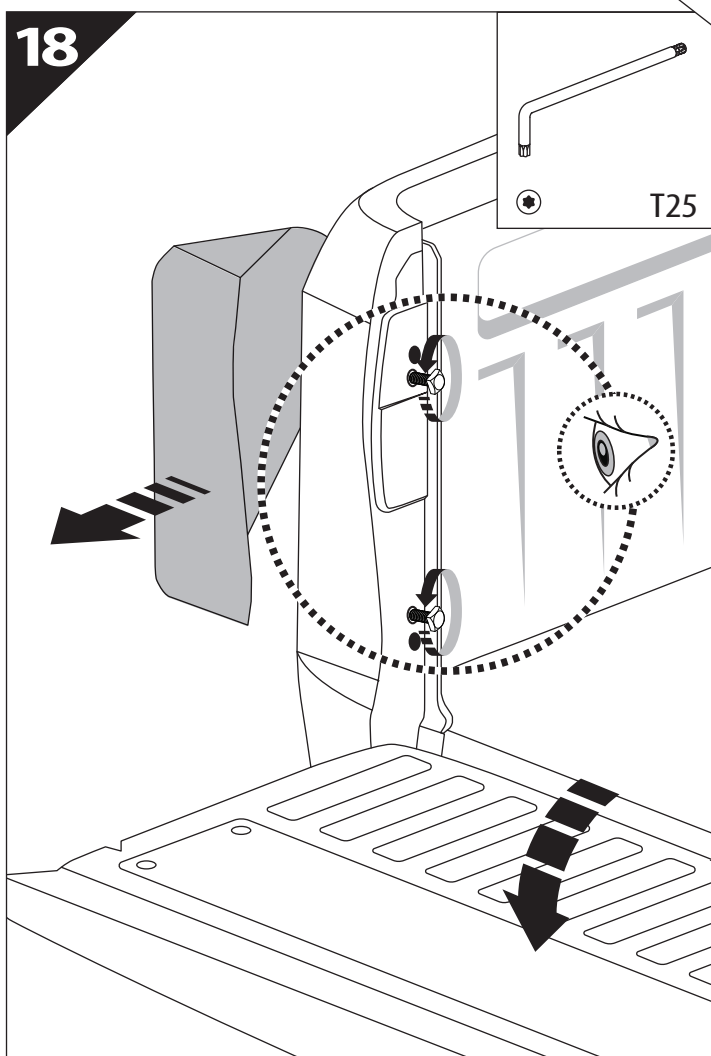
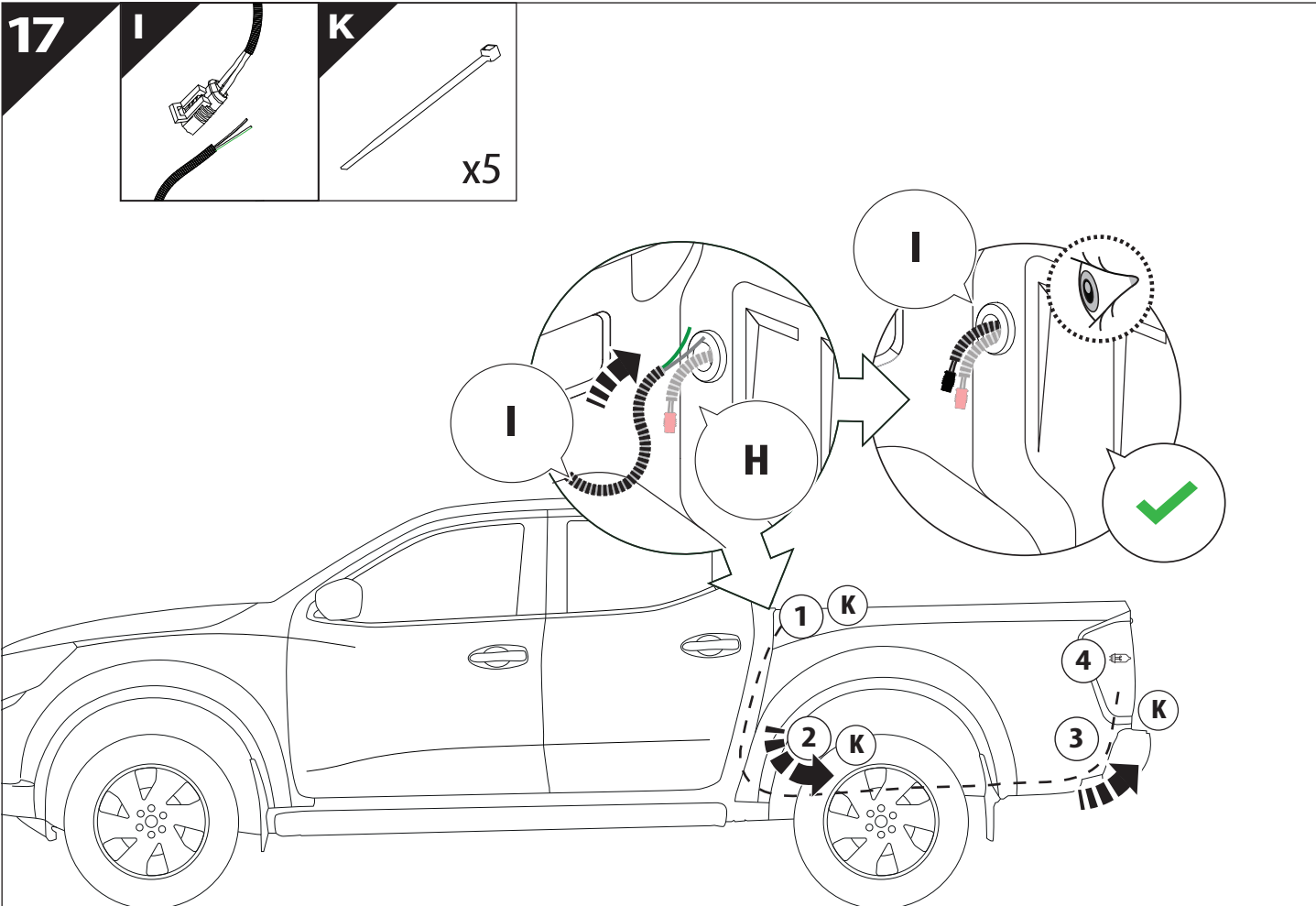
# 14



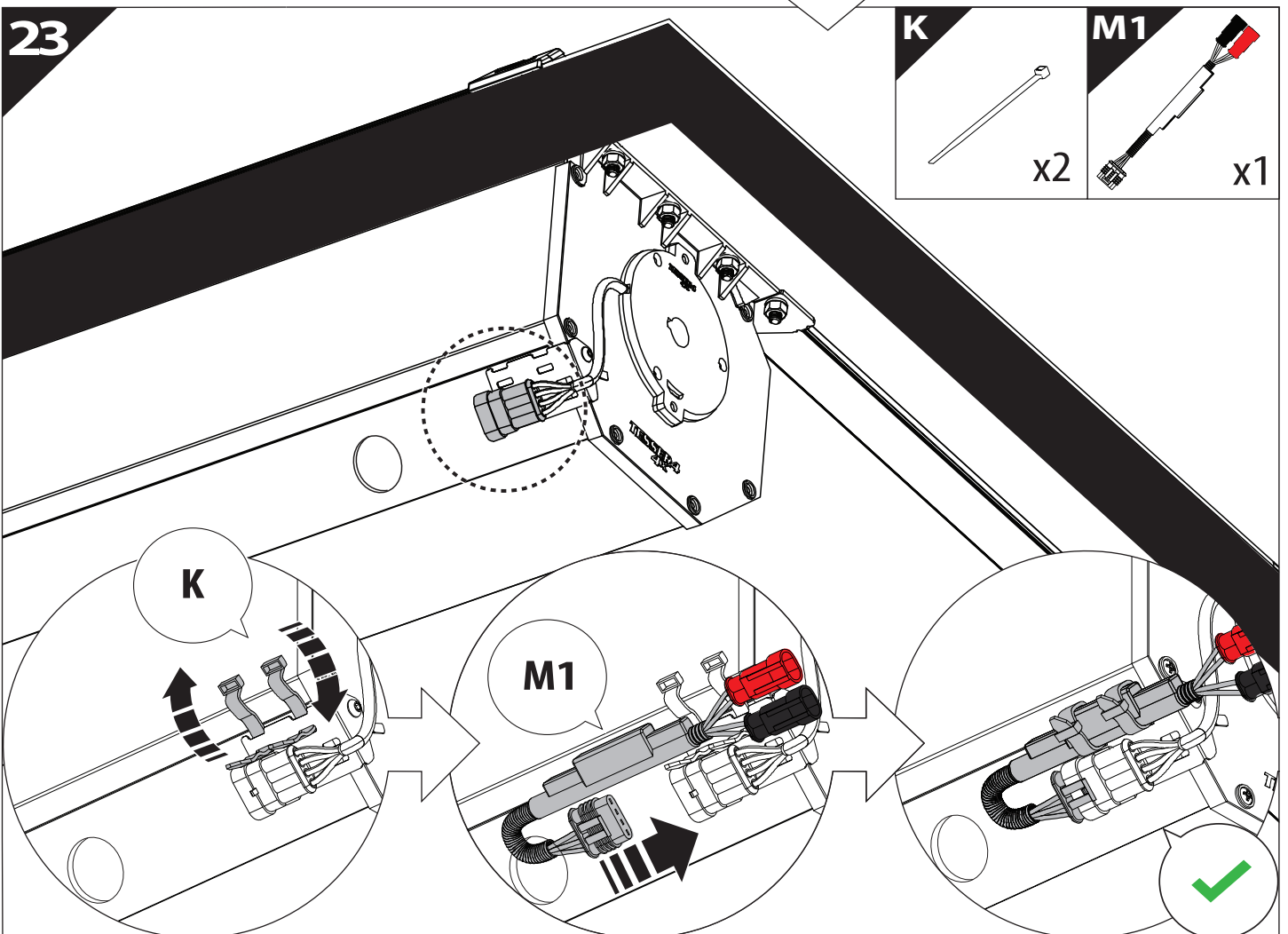
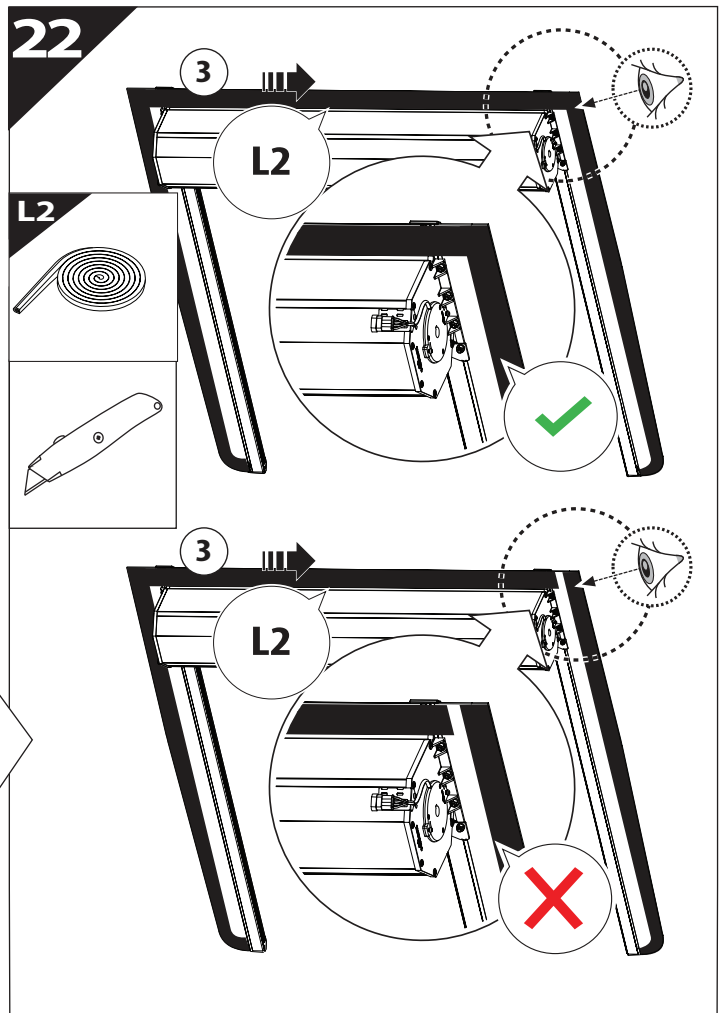
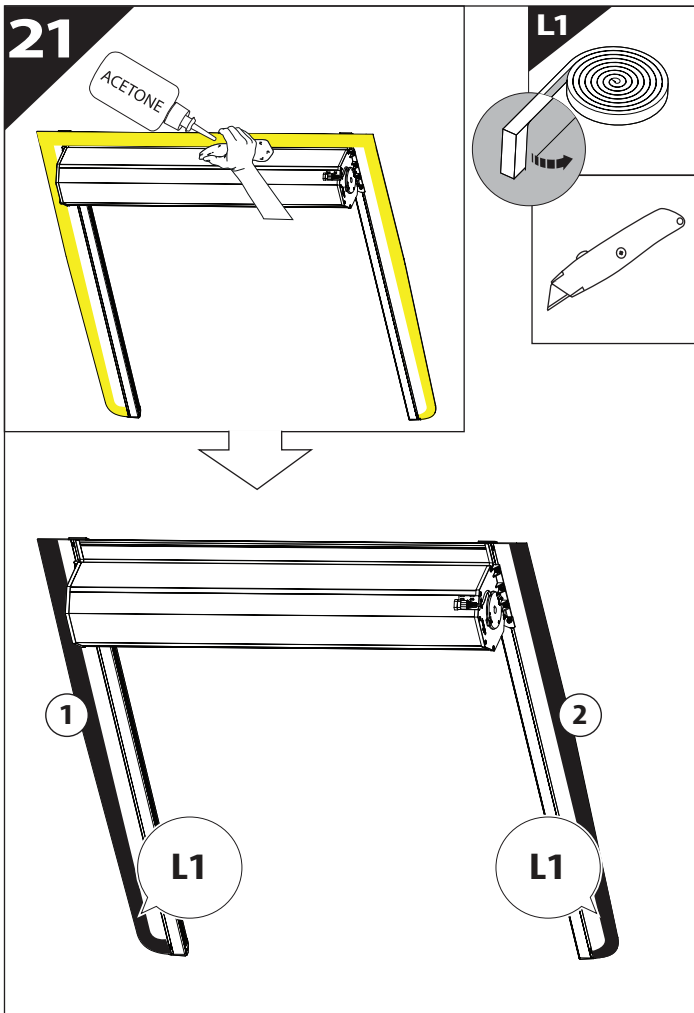


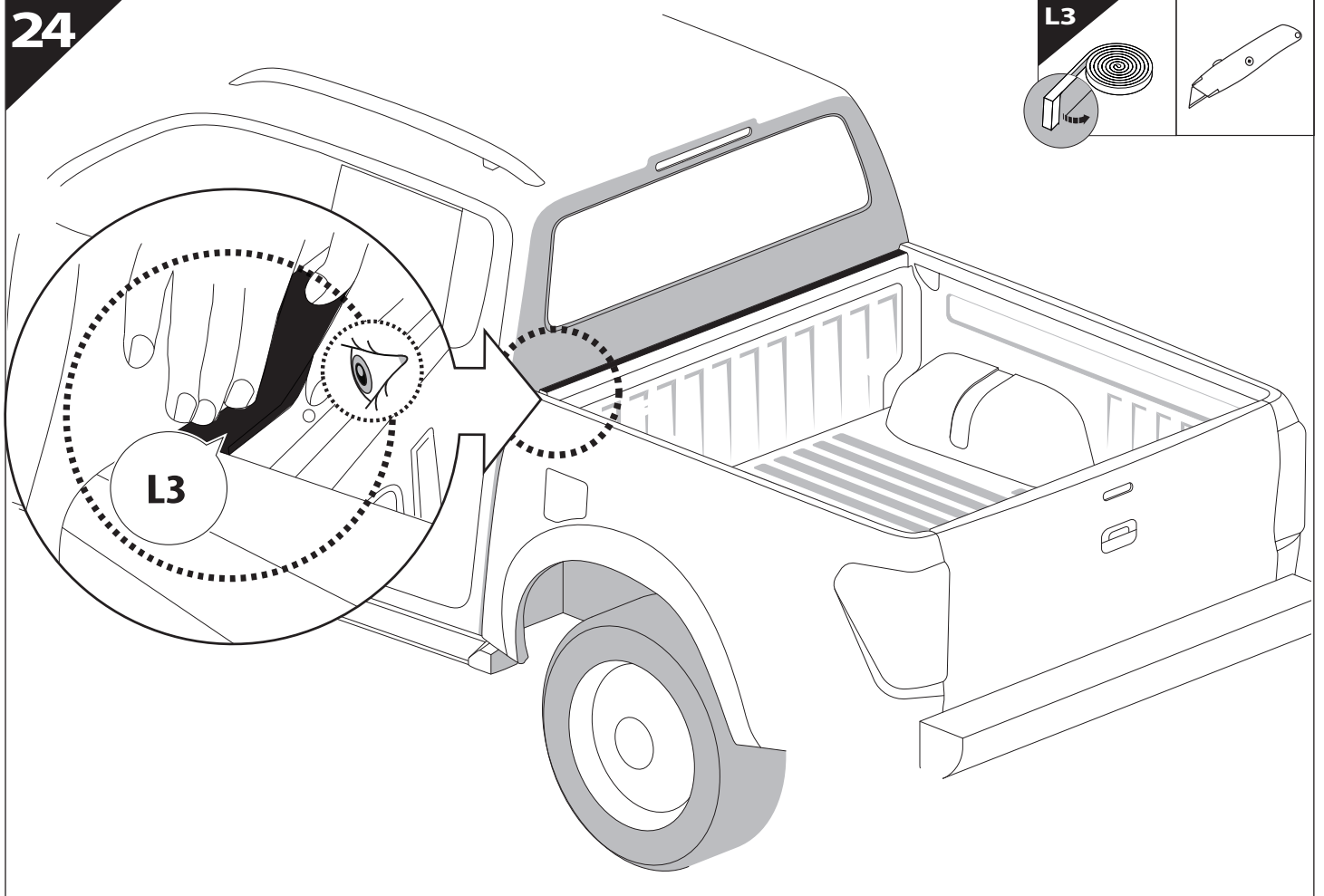
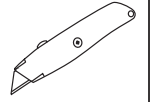
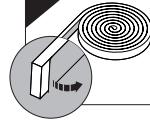
**16** Only to be installed by authorized personnel

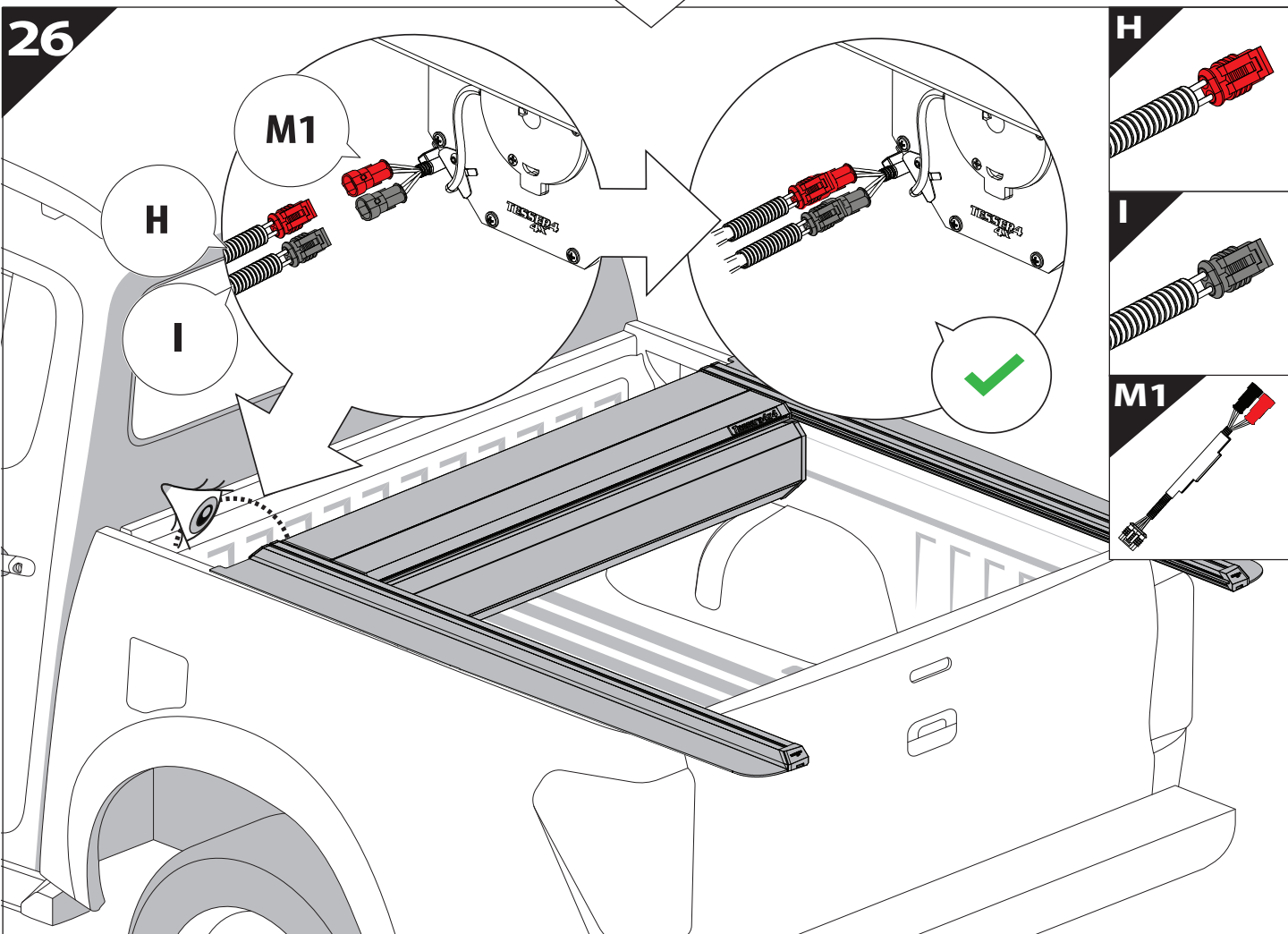
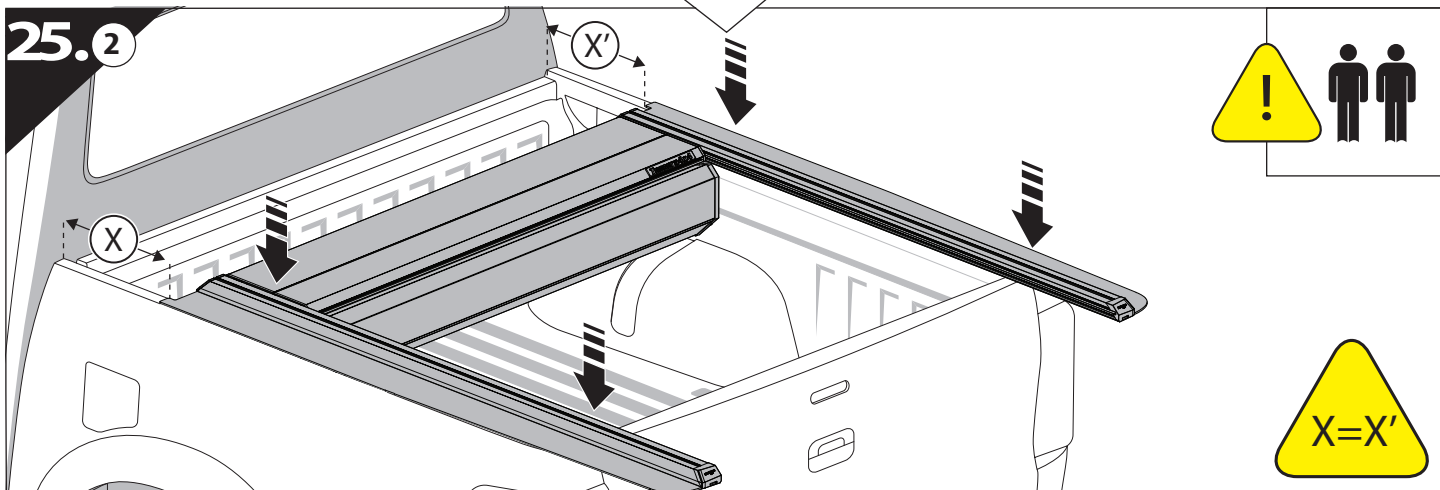
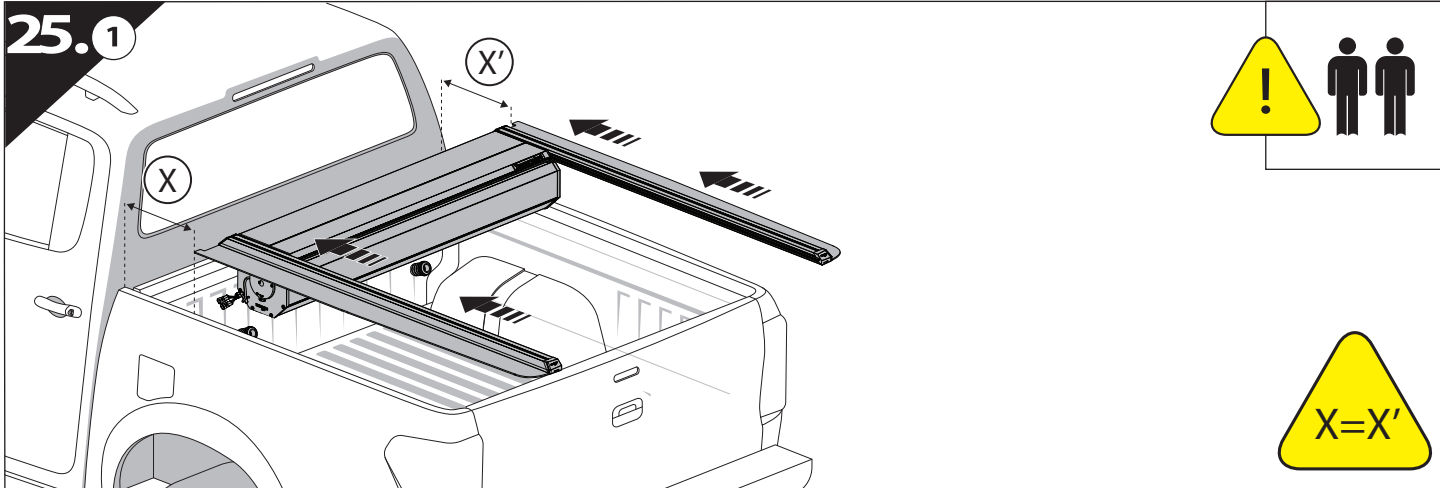






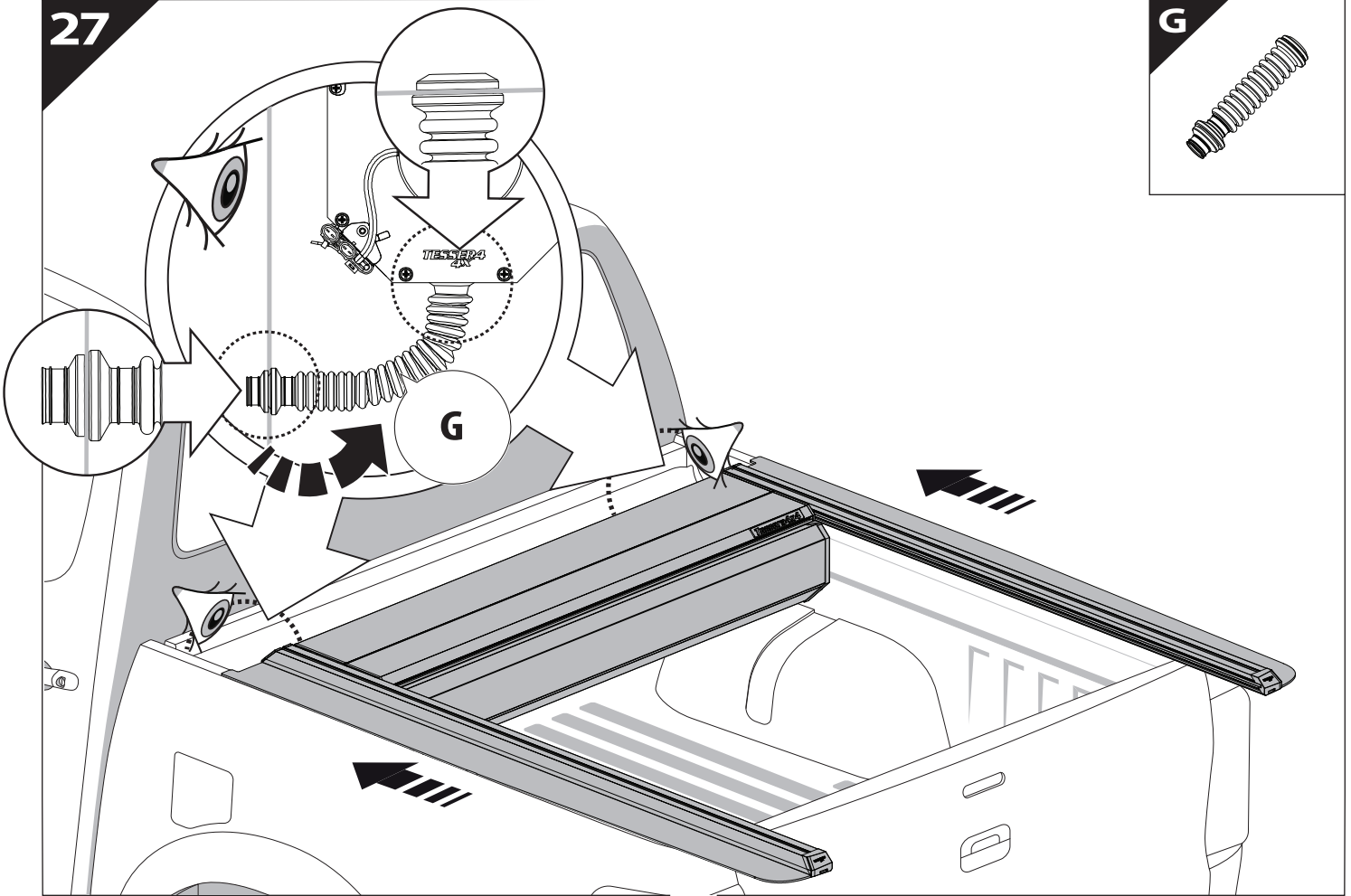




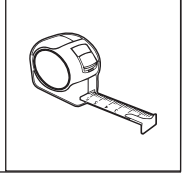
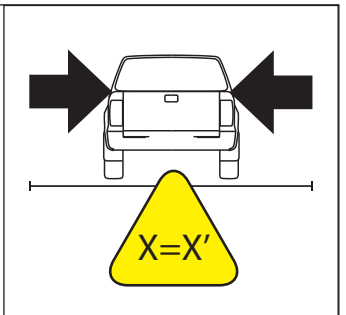
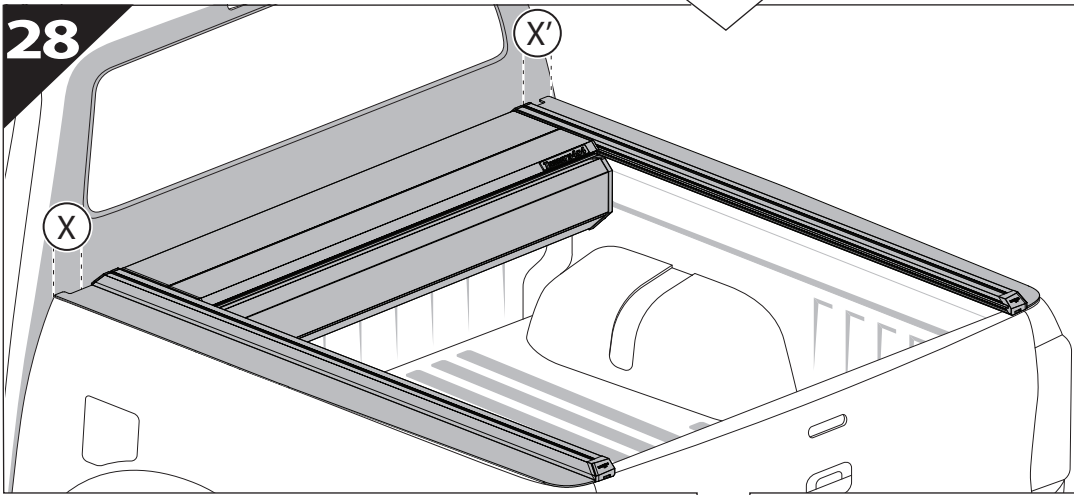


27

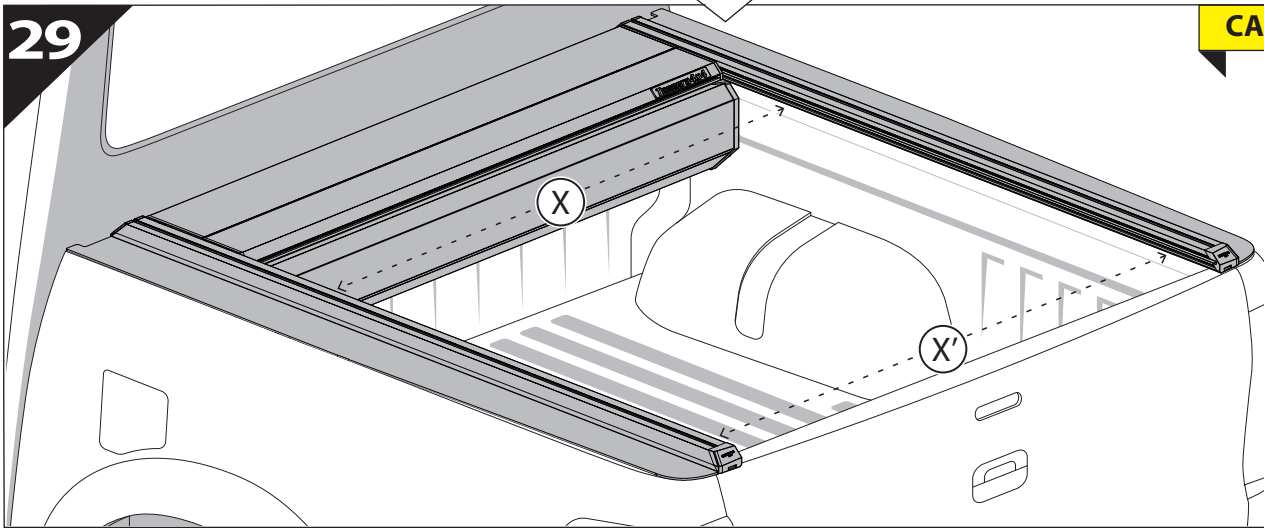
G



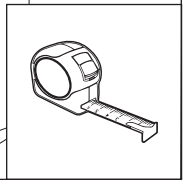
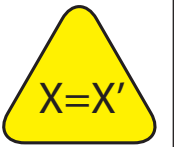
28

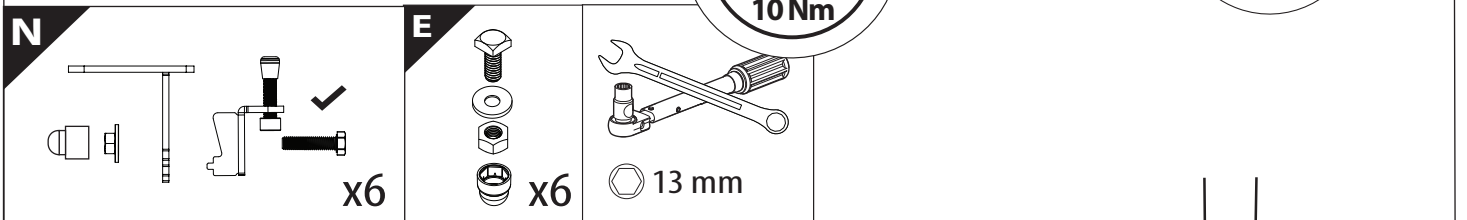
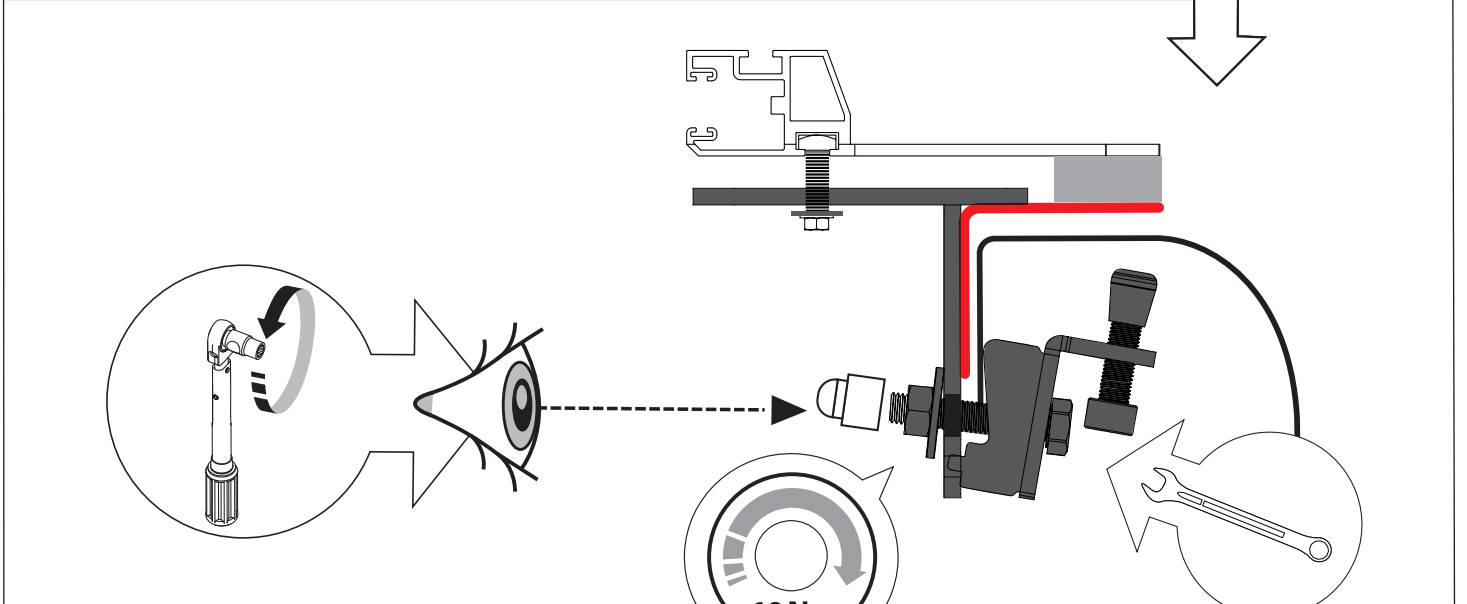
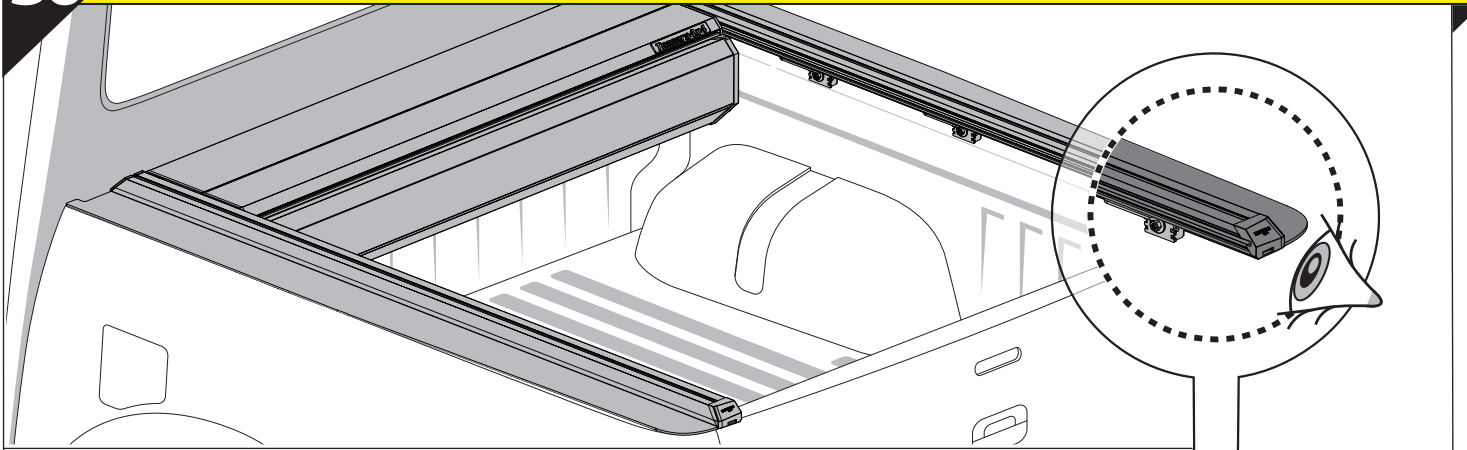


29

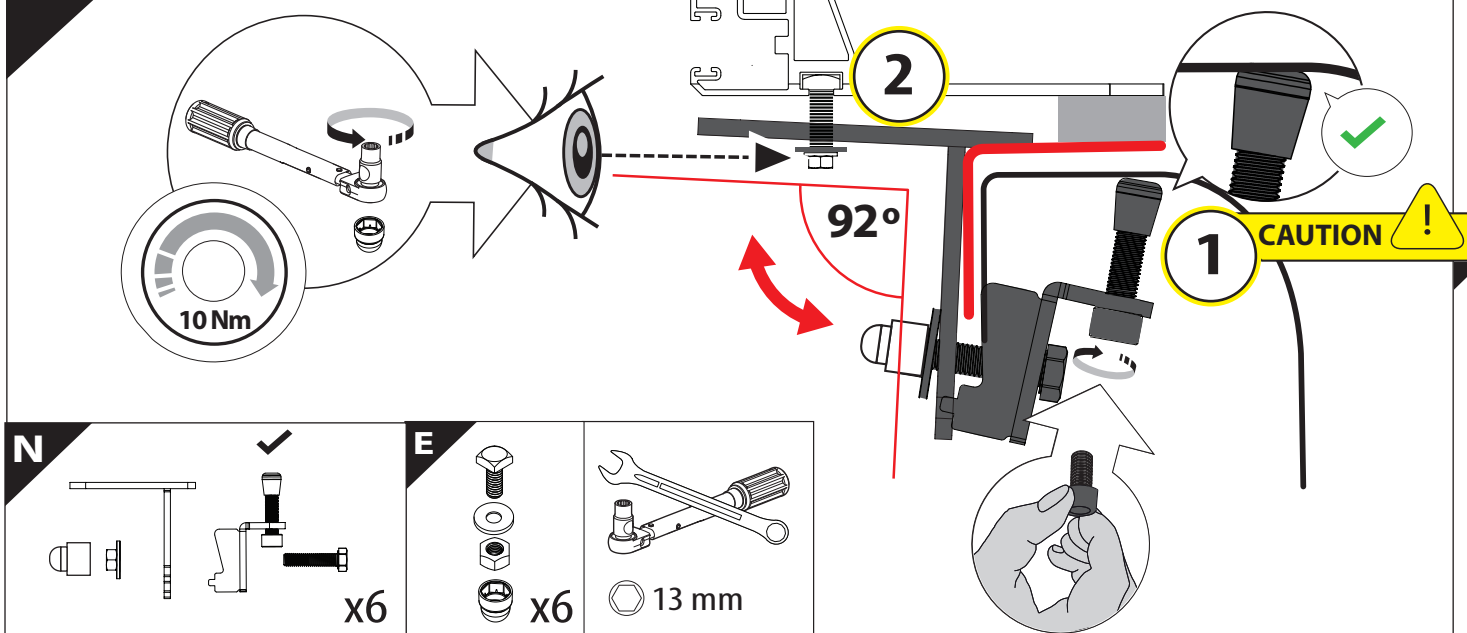


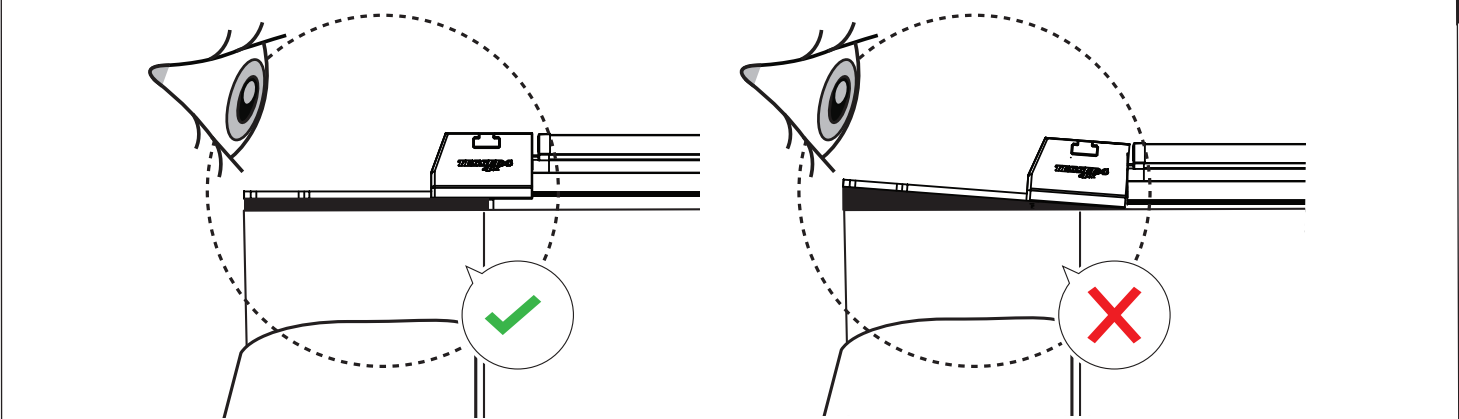
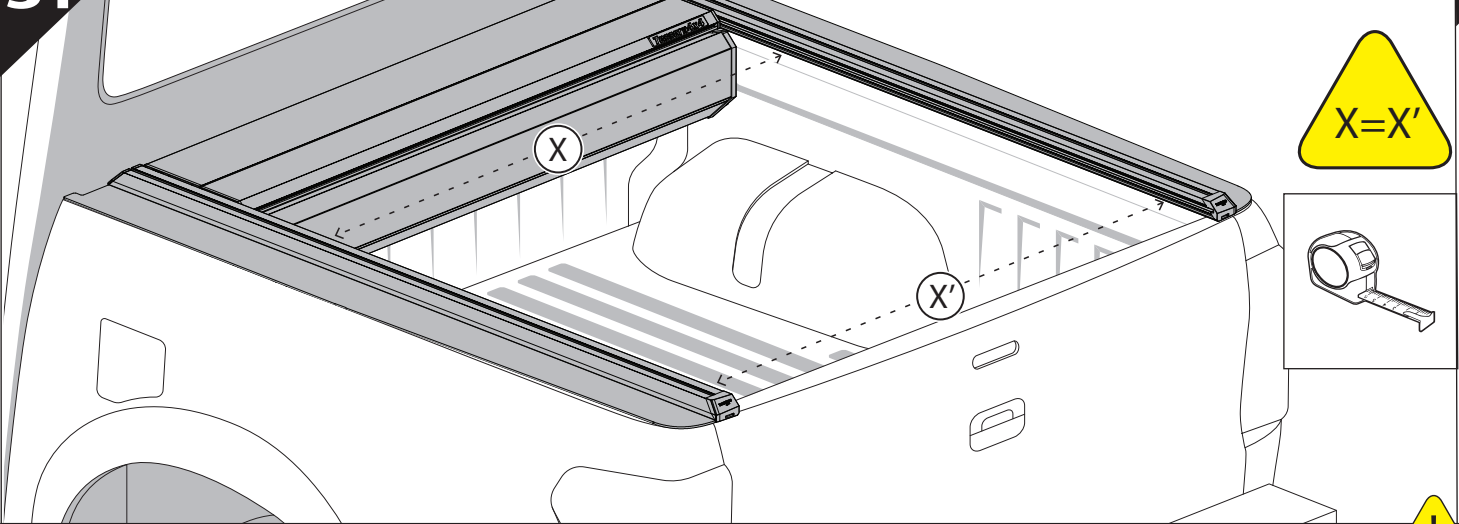
CAUTION !

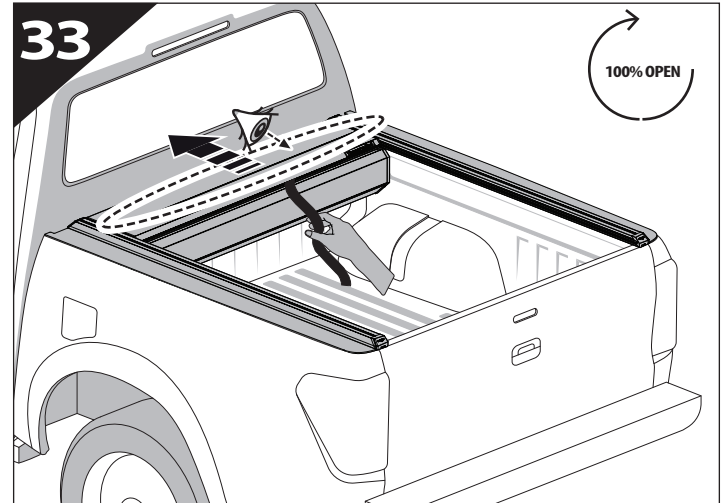
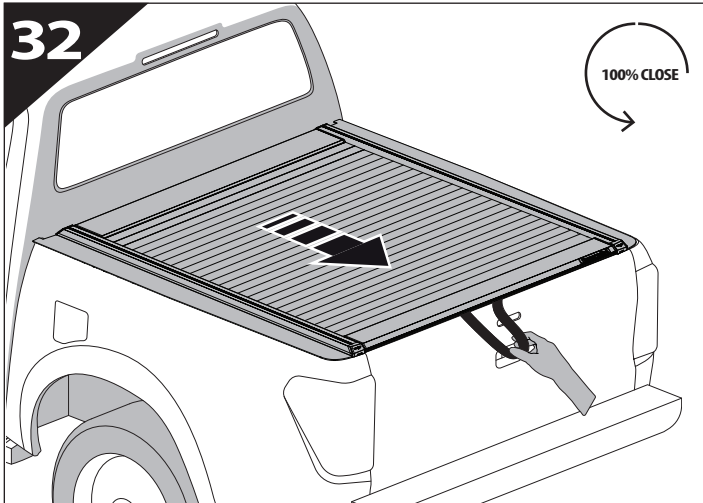




30.1







**GR:** Οδηγίες Εγκατάστασης  
**GB:** Installation manual  
**SF:** Asennusohje  
**F:** Notice de montage  
**PL:** Instrukcja montażu  
**NL:** Installatie-instructies  
**TR:** Montaj Talimatı  
**S:** Monteringsanvisning  
**E:** Instrucciones de montaje

**H:** Szerelési utasítás  
**P:** Instruções de instalação  
**RUS:** Инструкция по установке  
**N:** Monteringsveiledning  
**D:** Einbauanleitung  
**CZ:** Návod k instalaci  
**I:** Istruzioni de montaggio  
**DK:** Monteringsvejledning  
**RO:** Instructiuni de instalare

Customer Service:

+30 (210) 5541161, +30 (210) 5541154 (08:00 - 16:00 EET)

Support department:

info@gianso.gr

Website:

www.tessera4x4.com

Address:

19.5 km of National road Athens-Korinthos (Elefsina) Greece, P.C: 19240