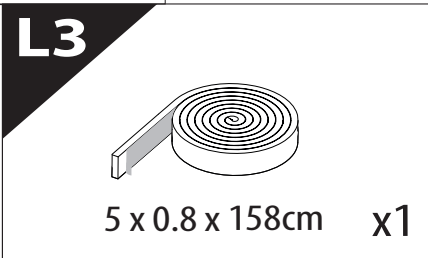
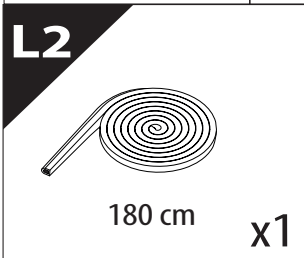
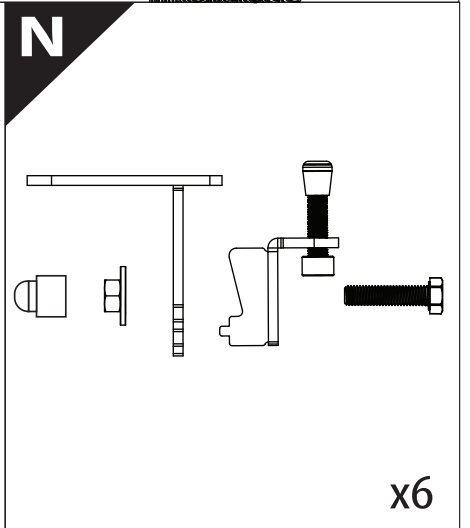
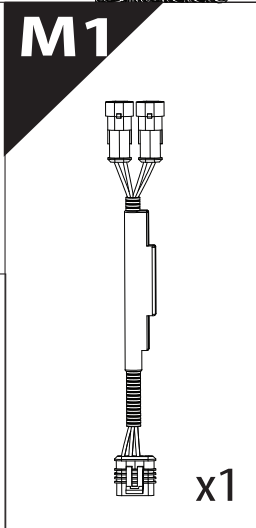
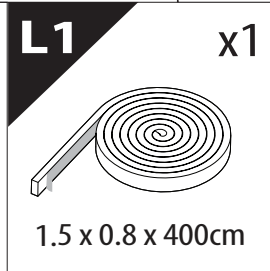
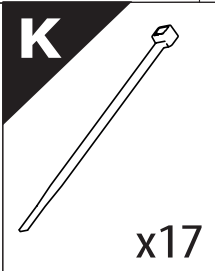
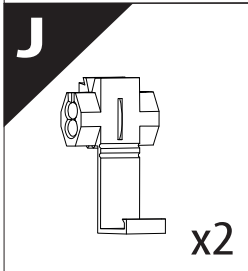
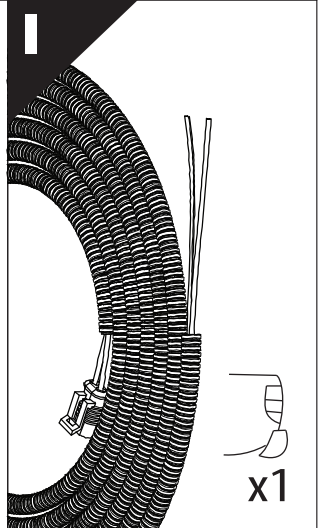
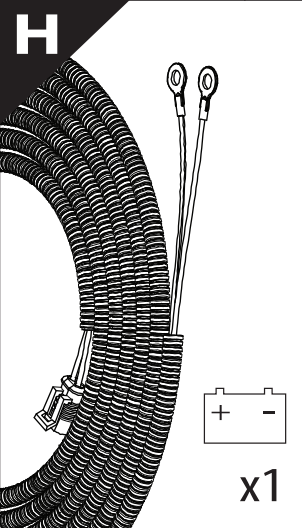
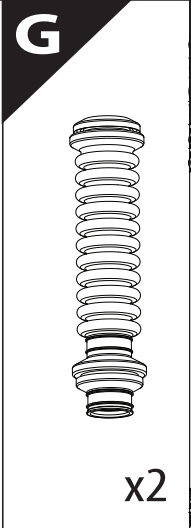
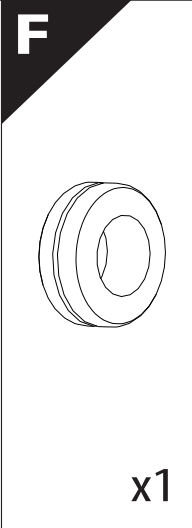
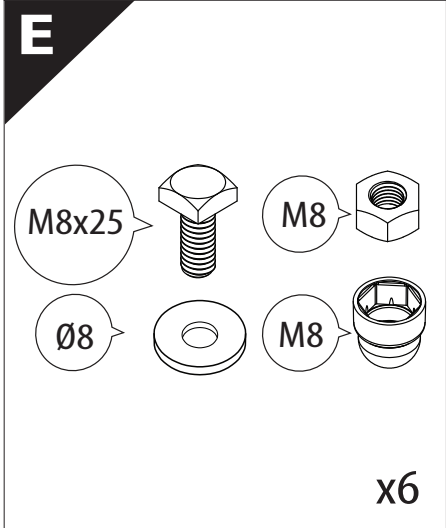
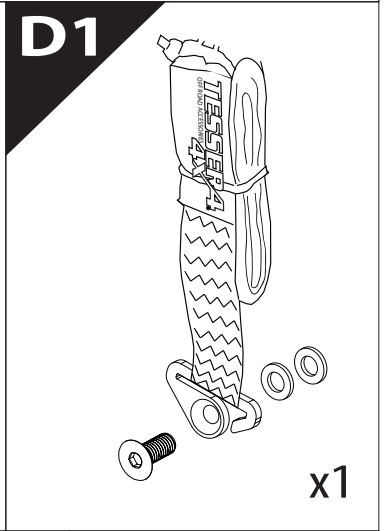
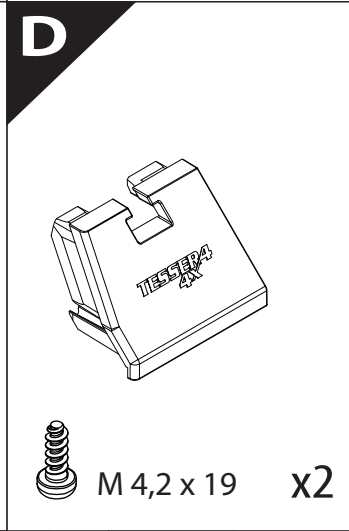
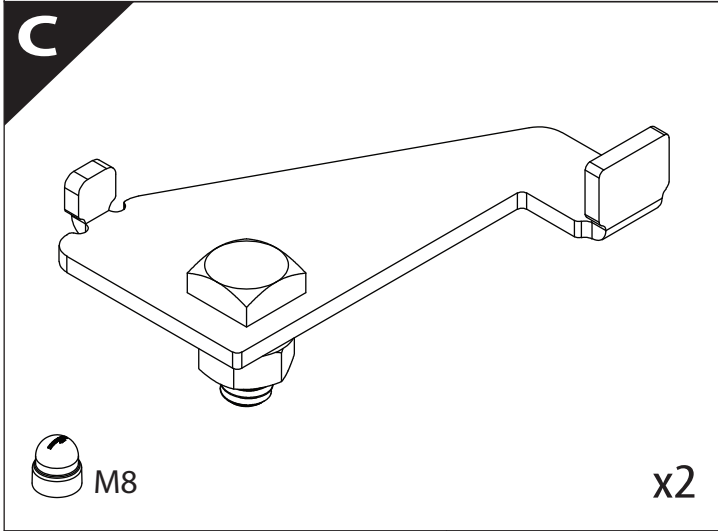
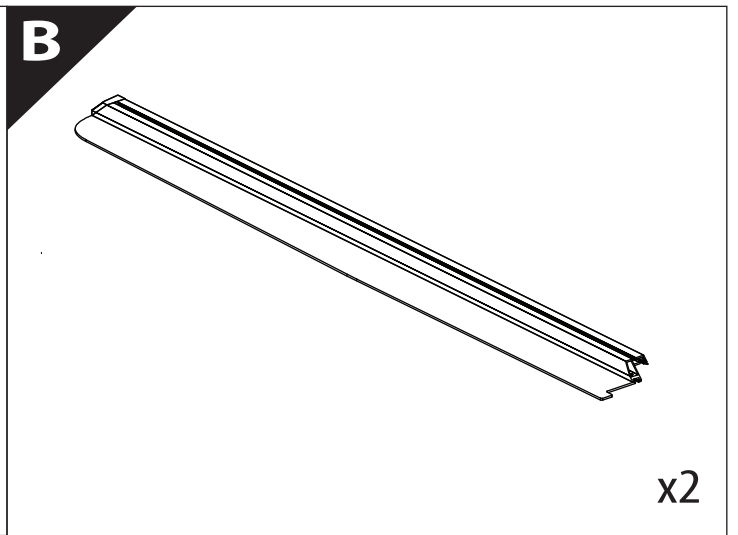
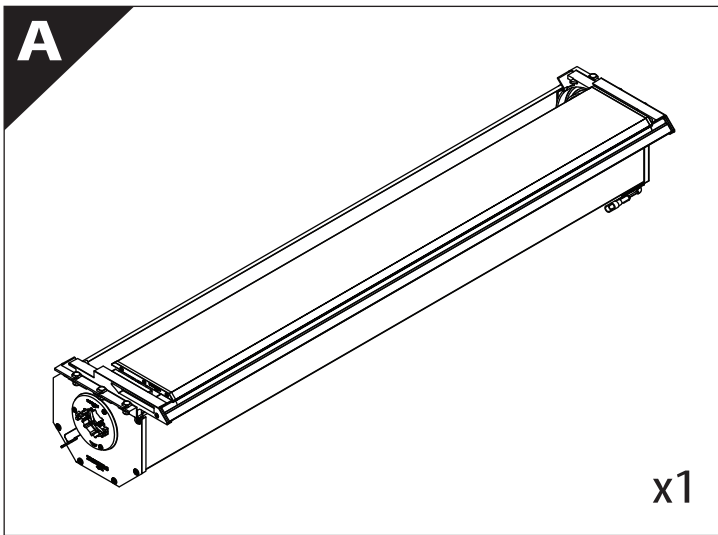
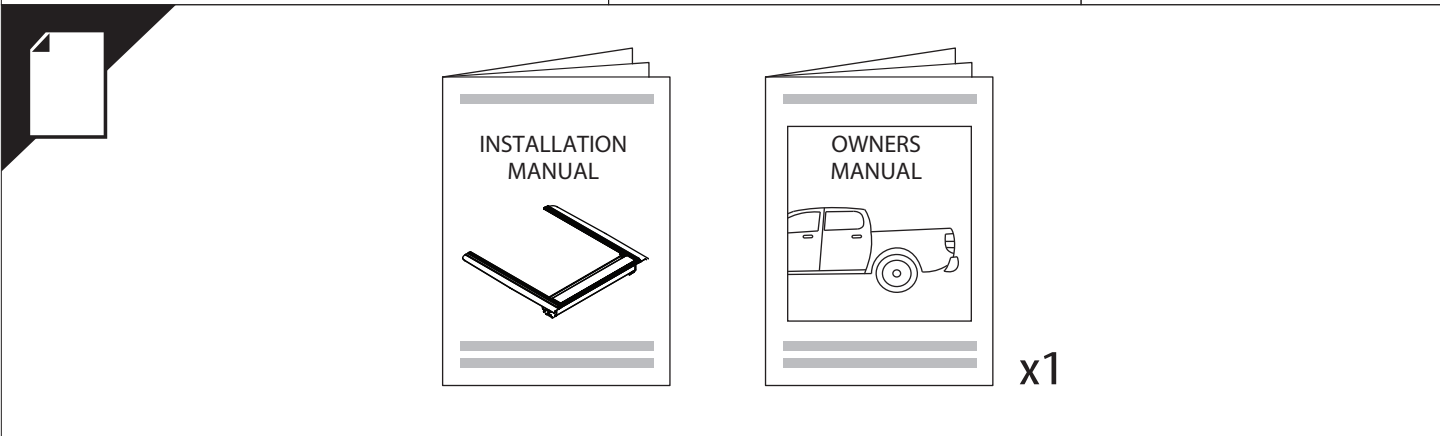
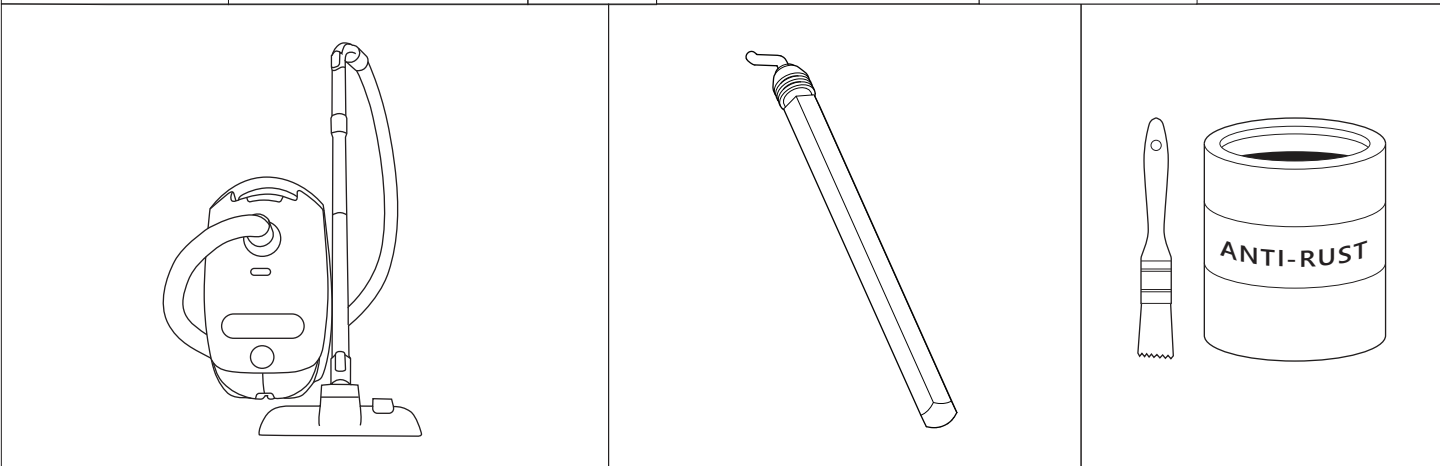
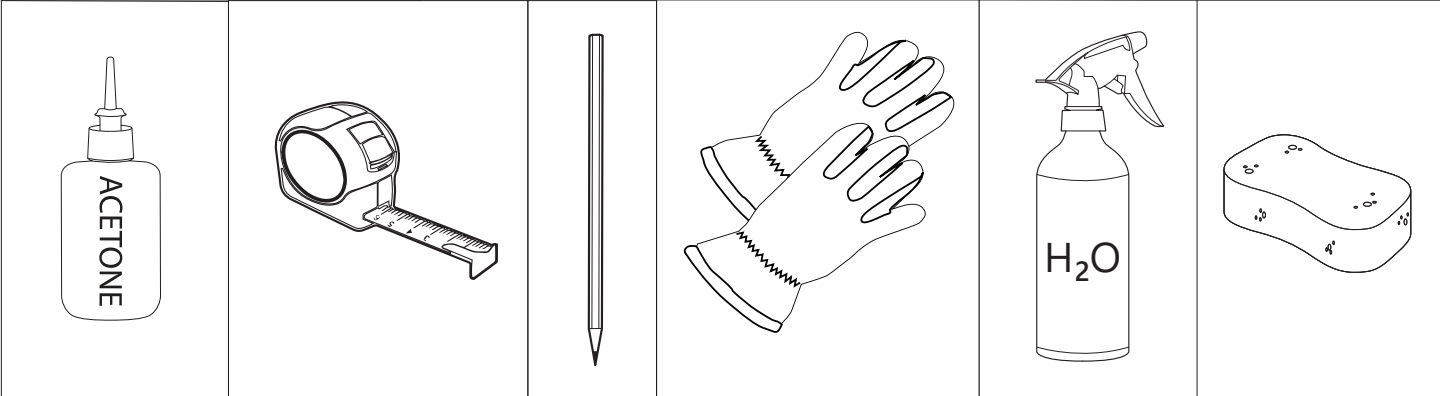
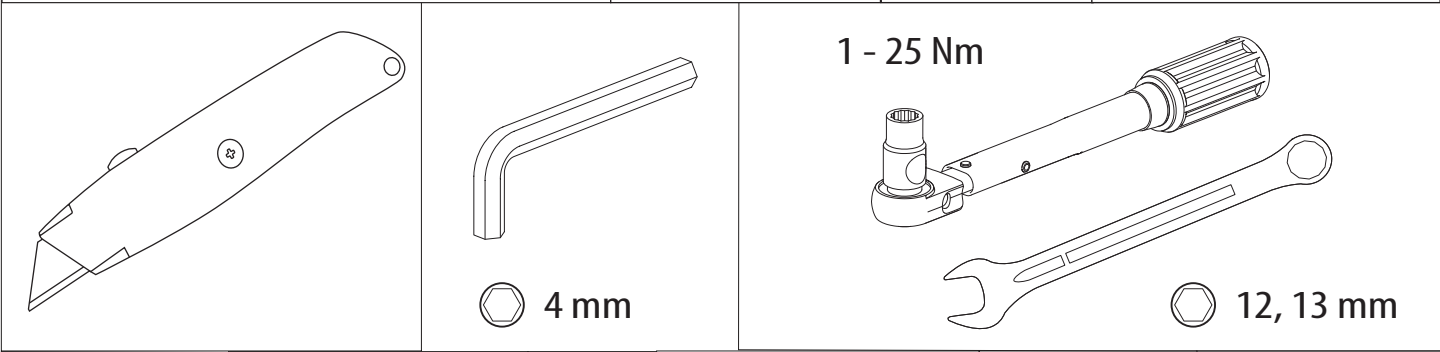
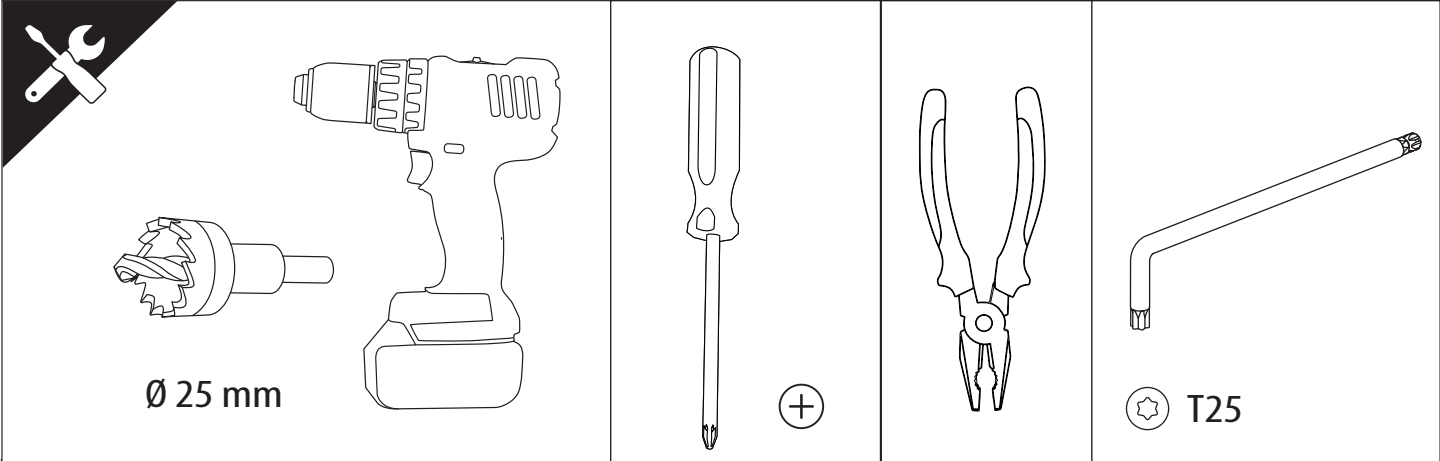


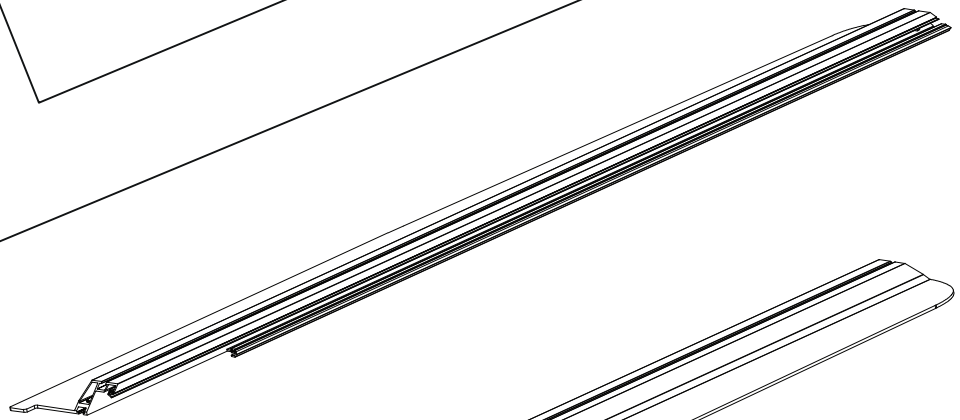
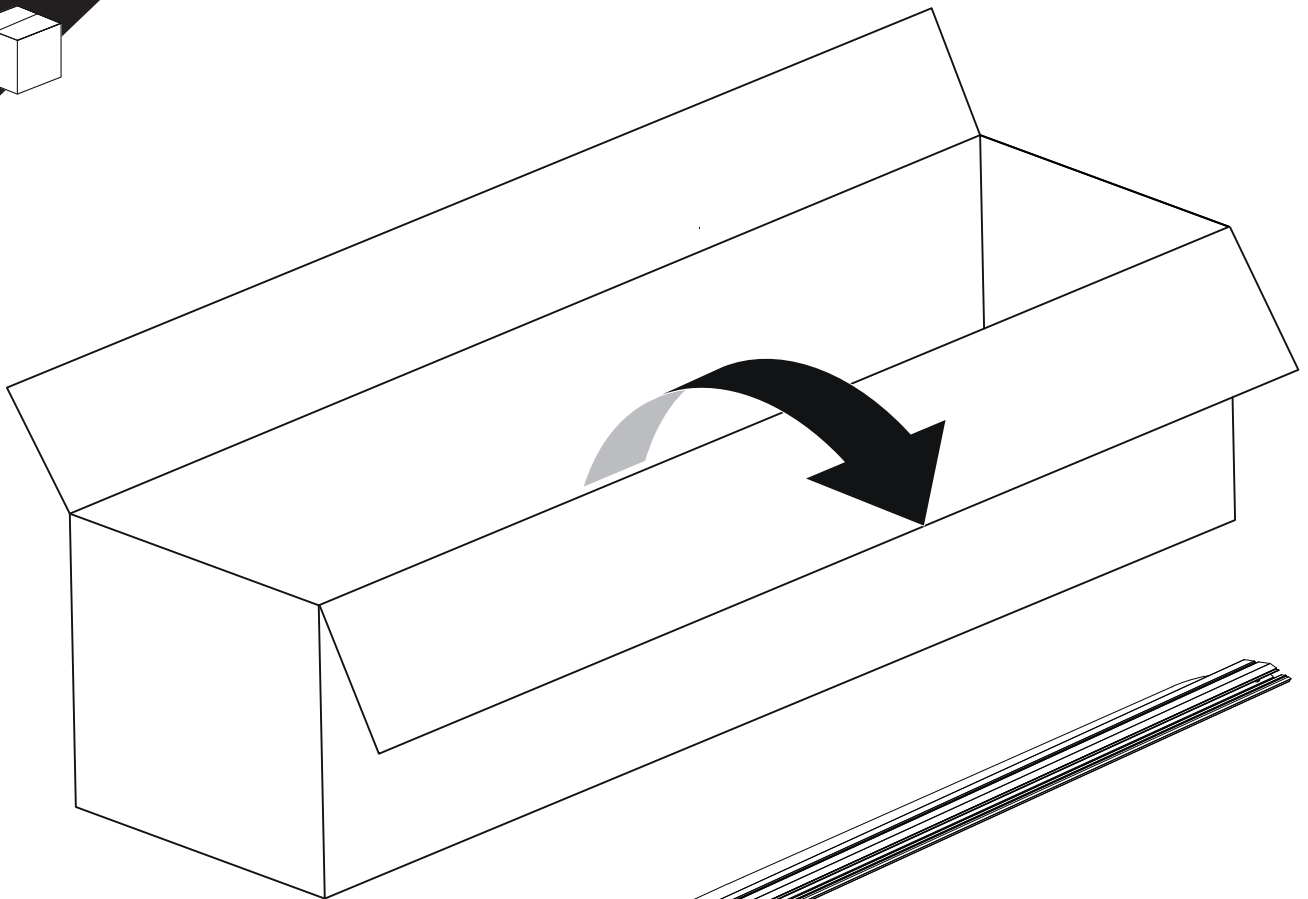


Installation Manual

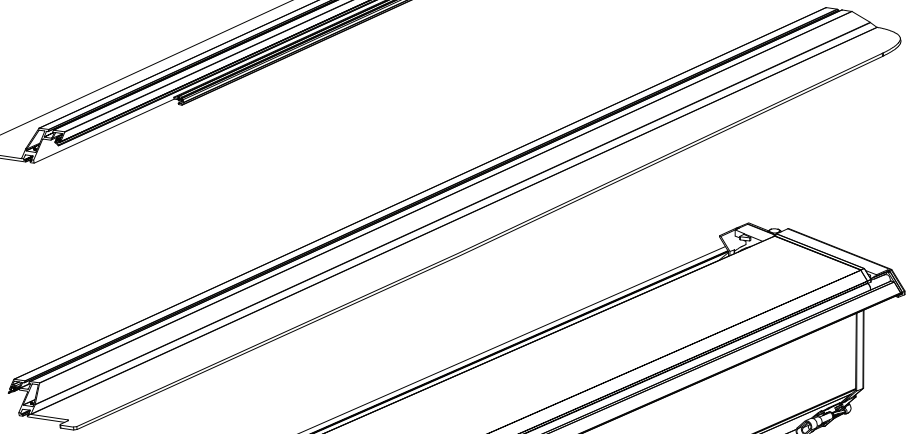
PART NUMBER(S)	Model Year
TESS 1424 ROLL	Dodge Ram 1500 2002+
TESS 14241 ROLL	
Cab(s)	Installation Time / Weight
Short Bed 5.7" & Standard Bed 6.4"	40-60 minutes / 53-57 kg



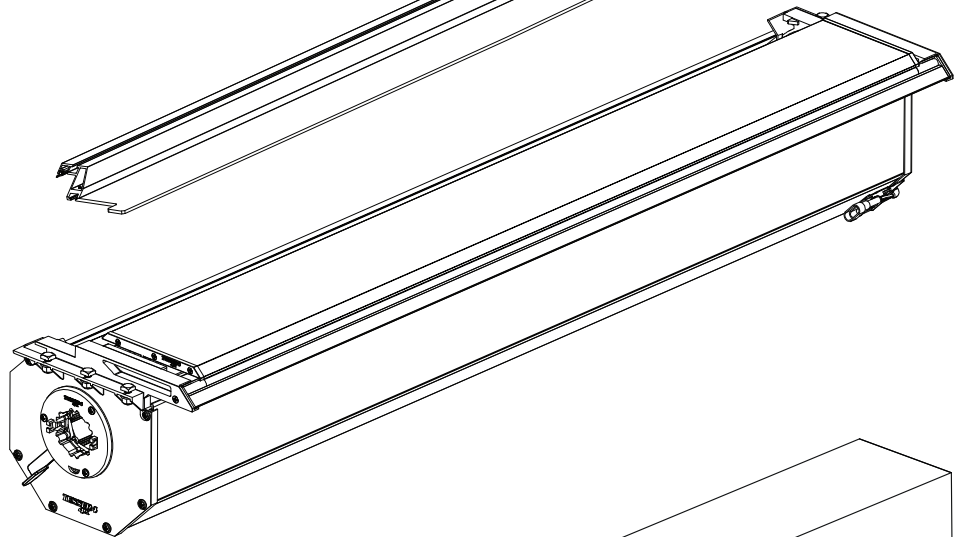




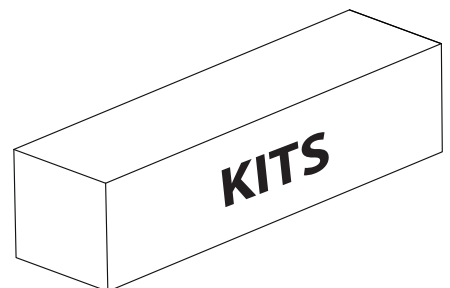
B



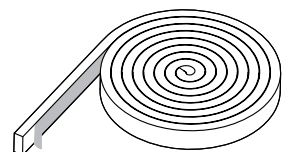
A

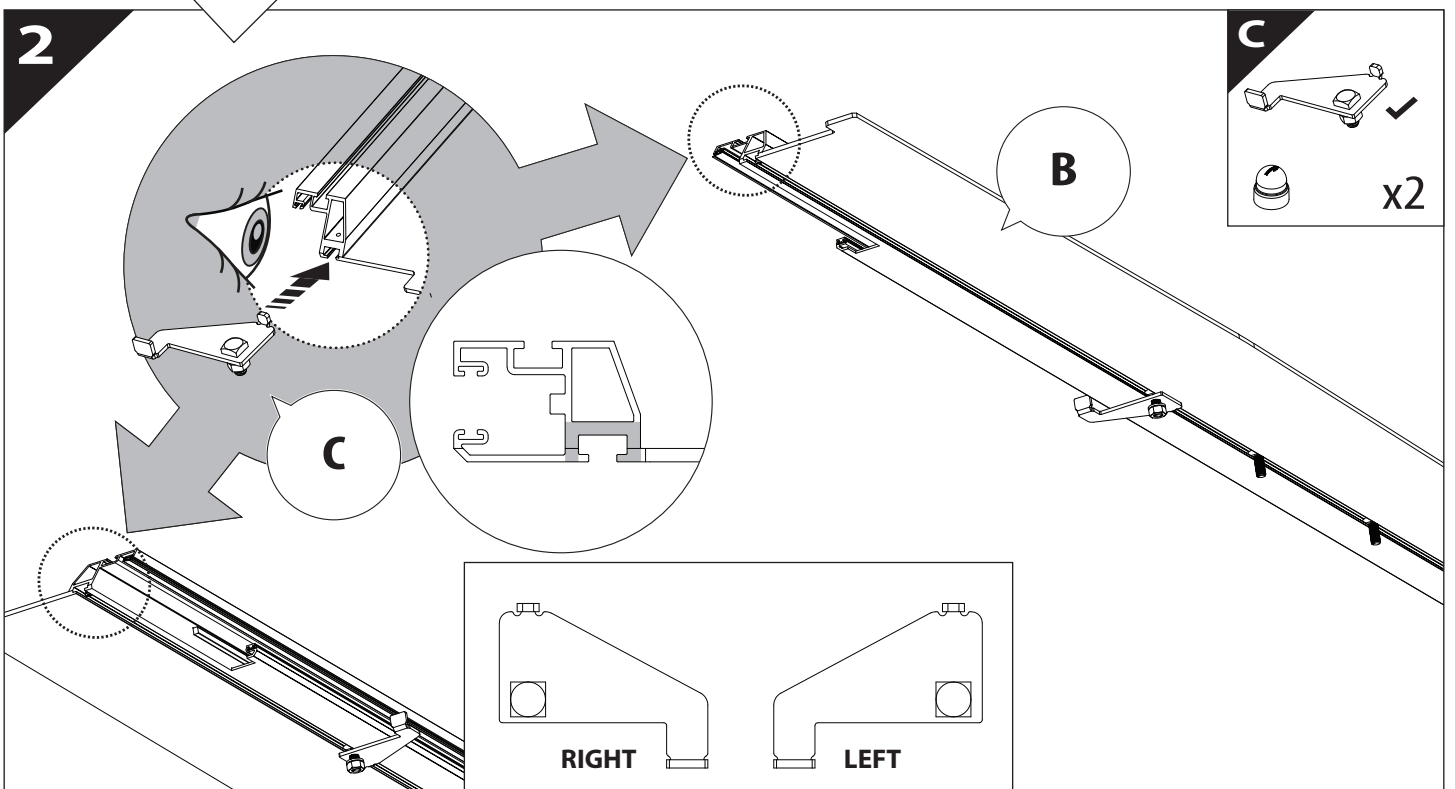
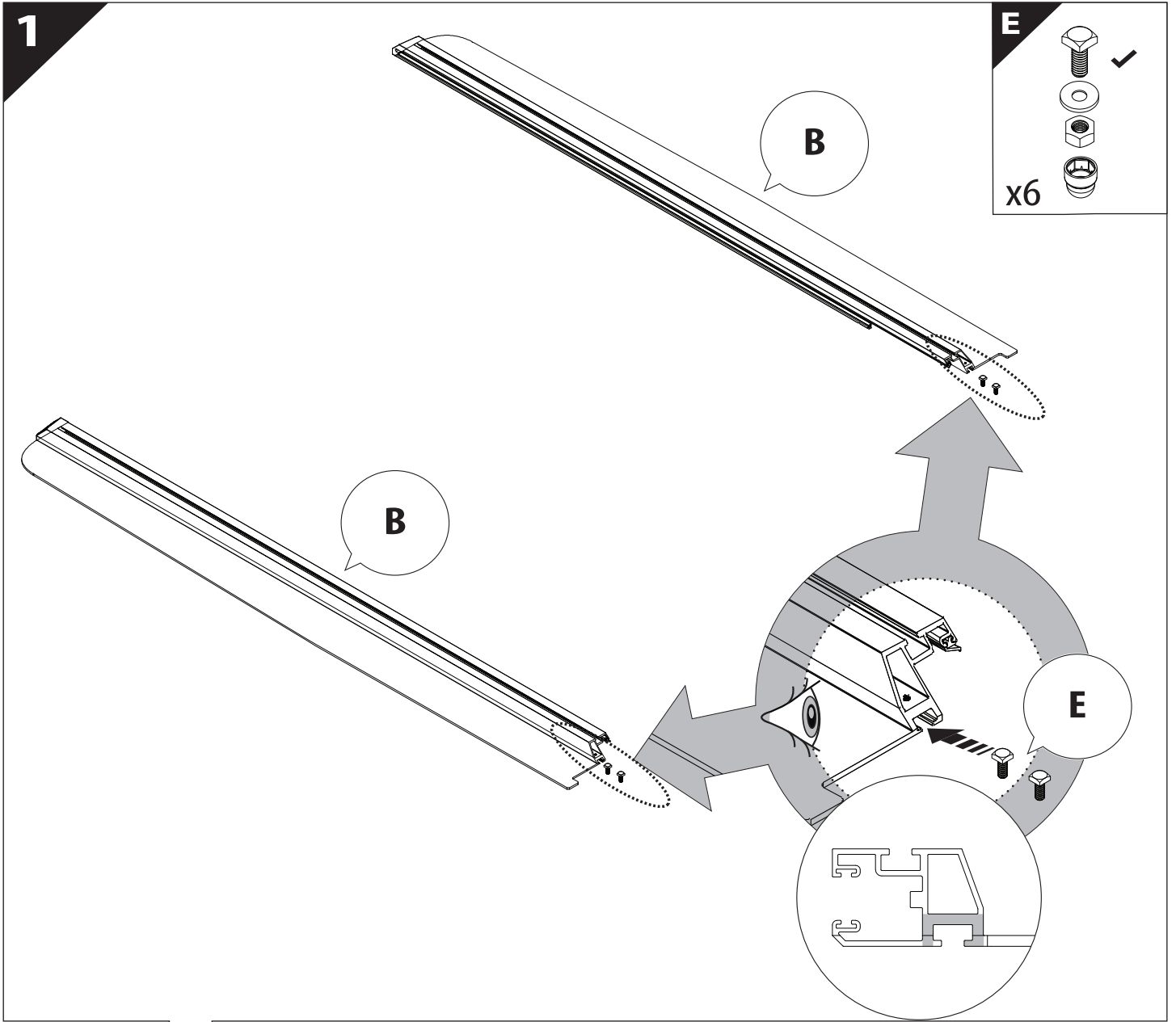


KITS

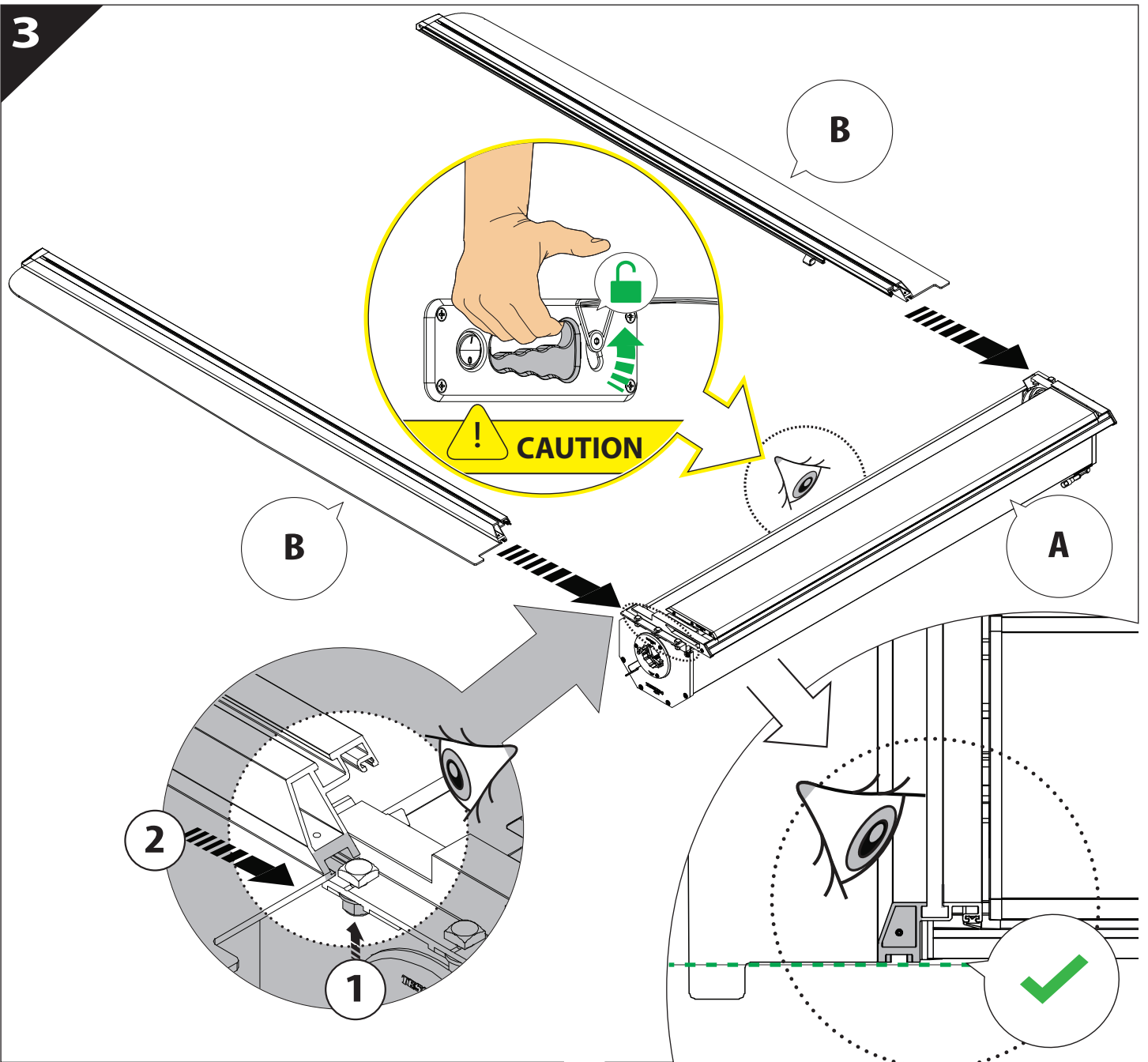


L

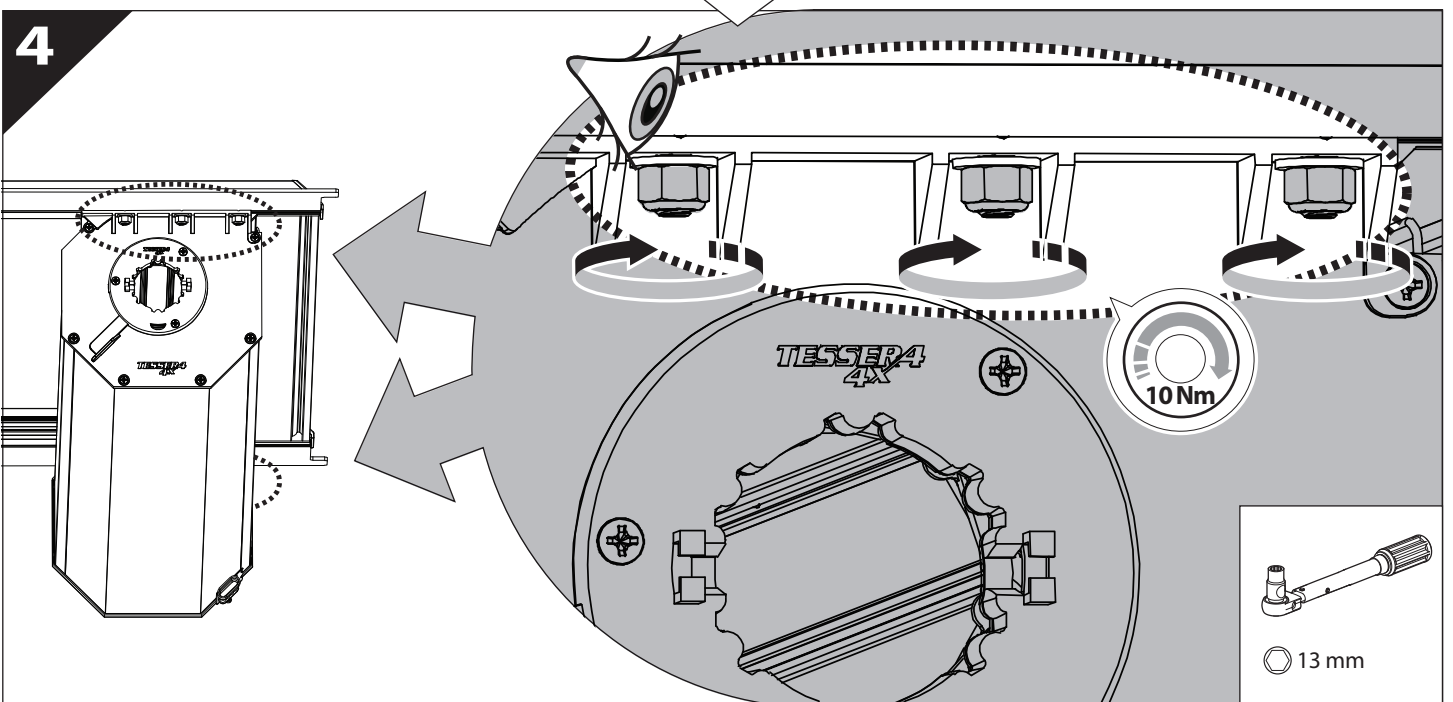


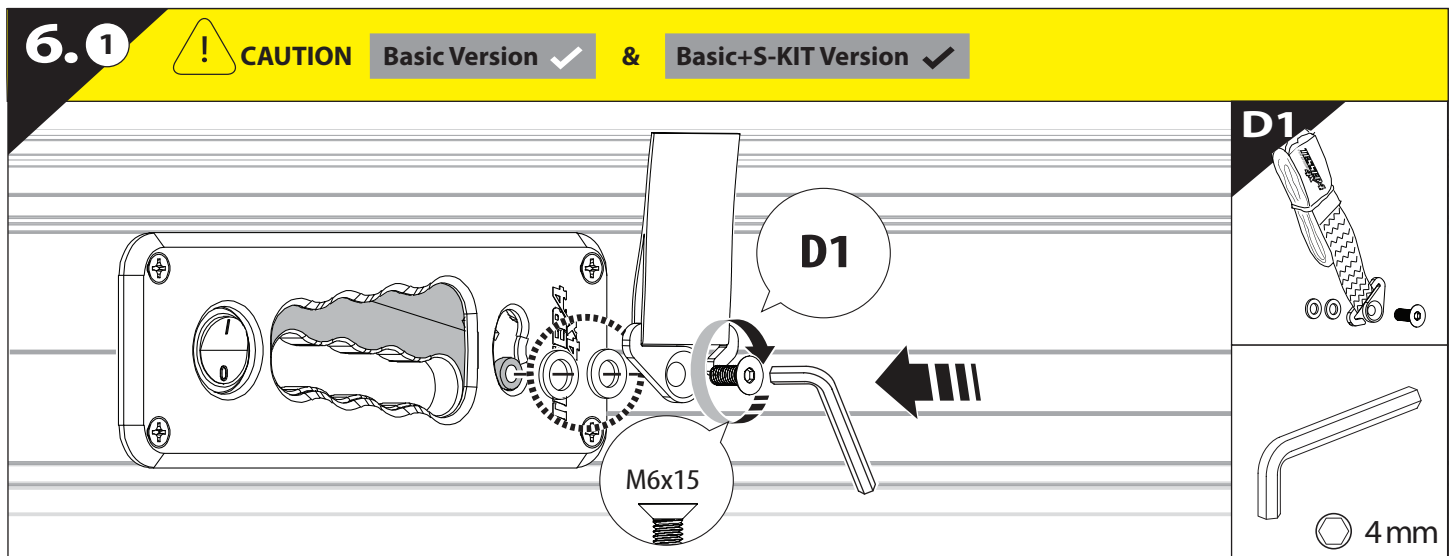
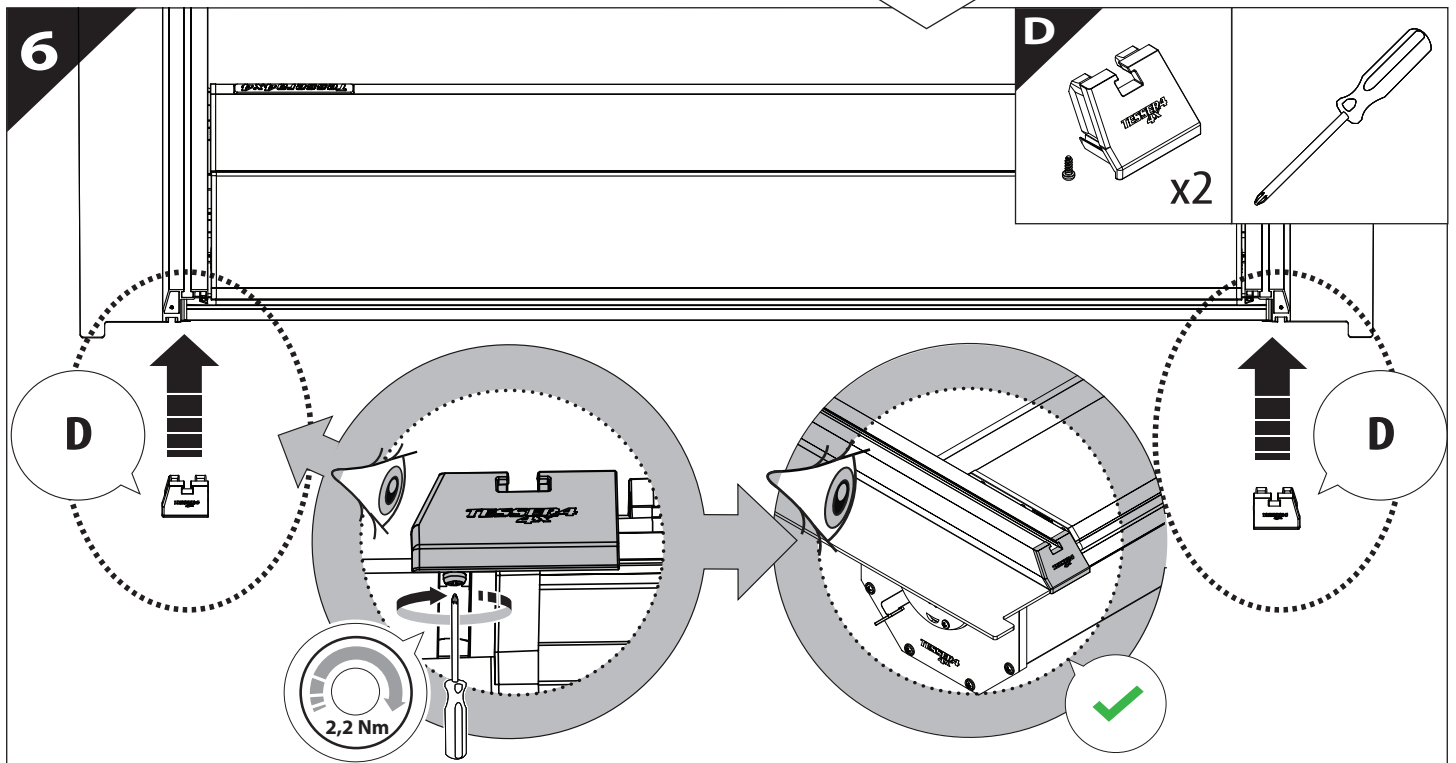
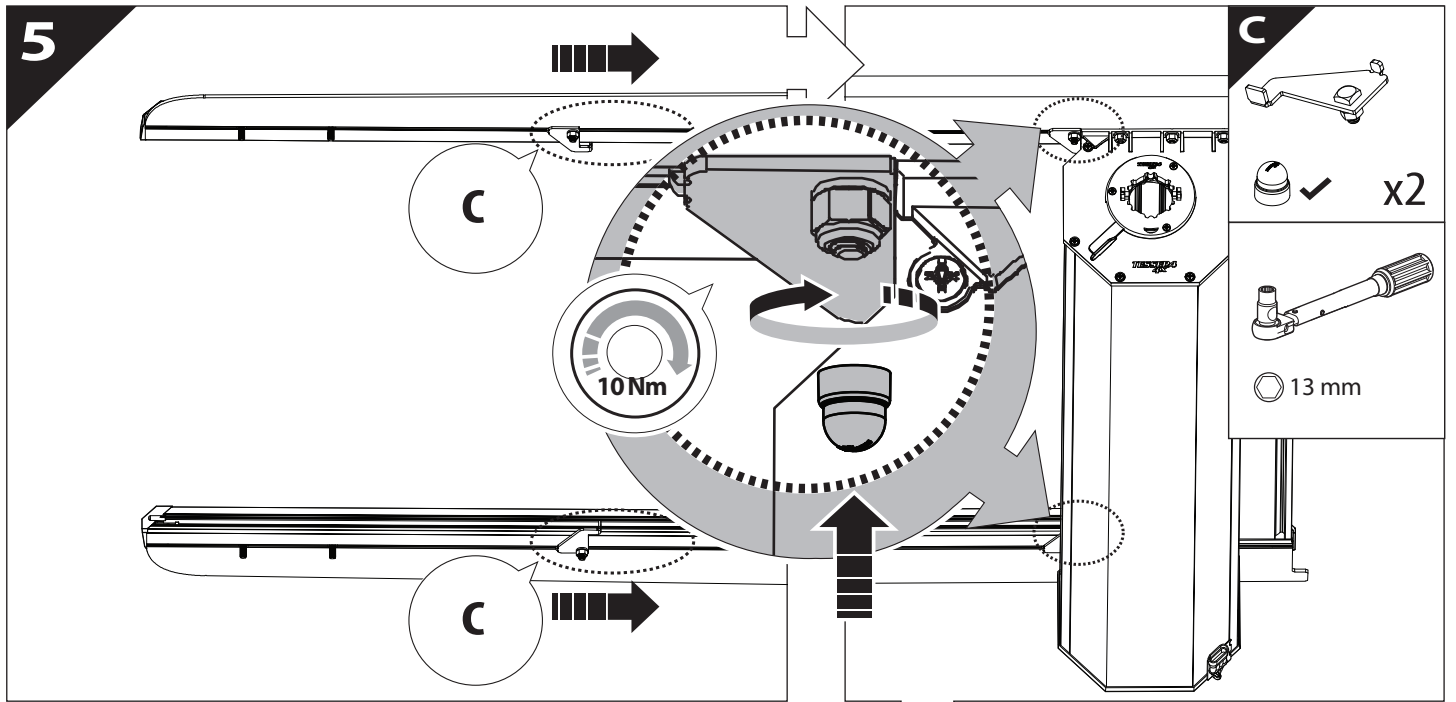


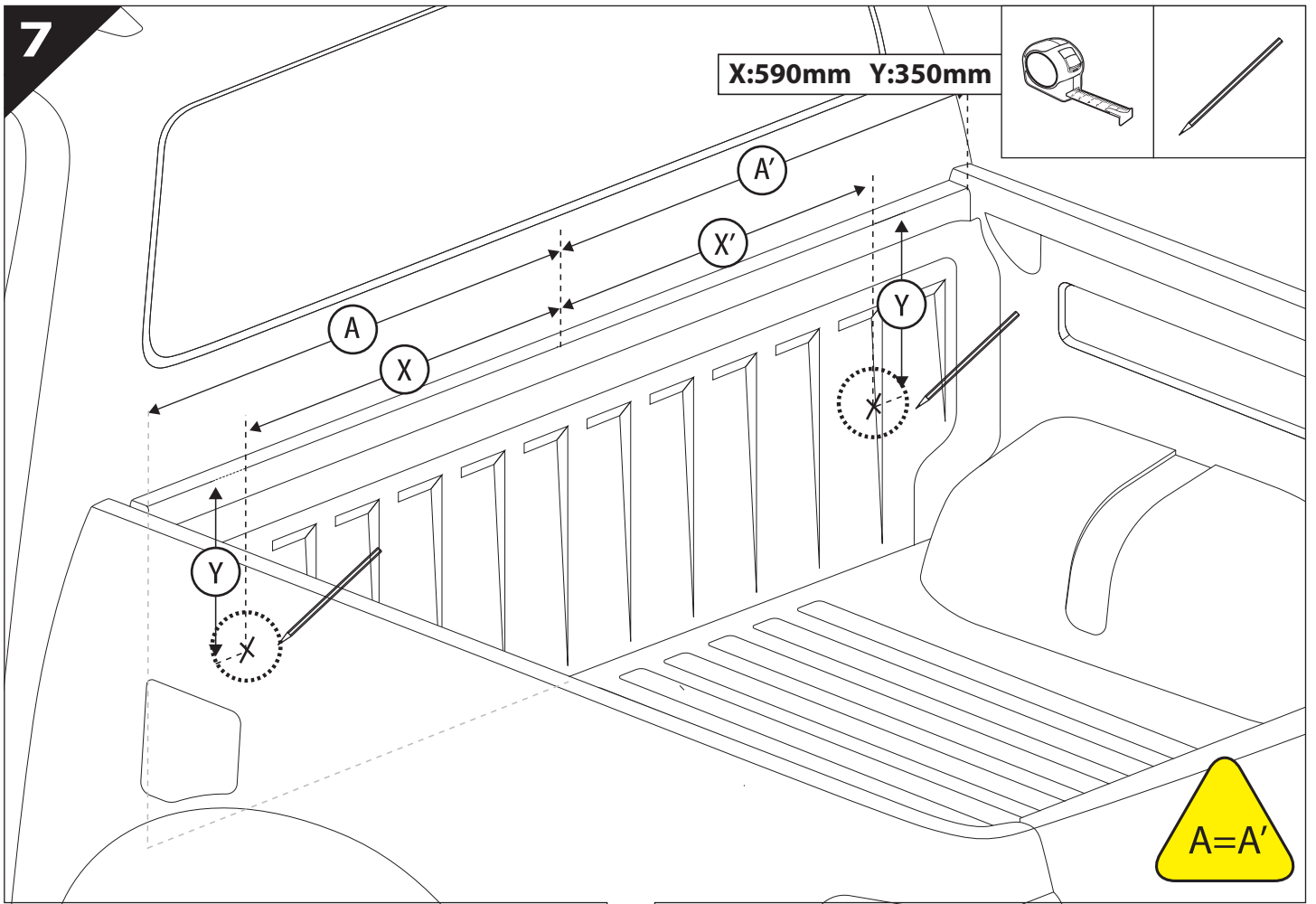
3



4



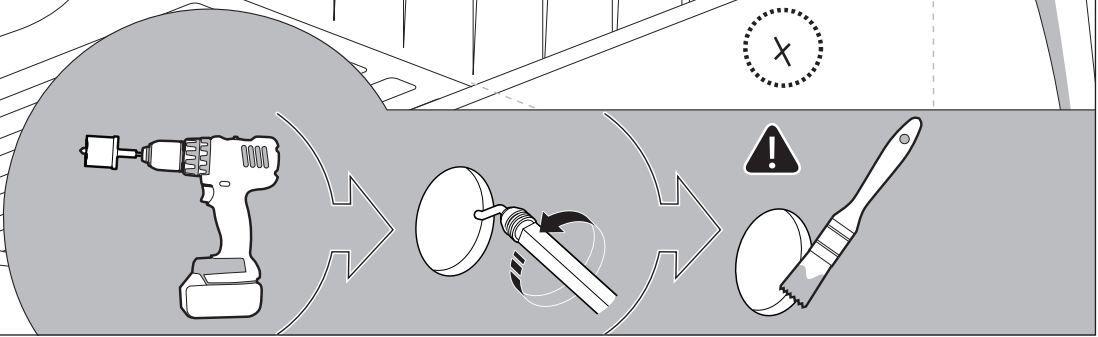
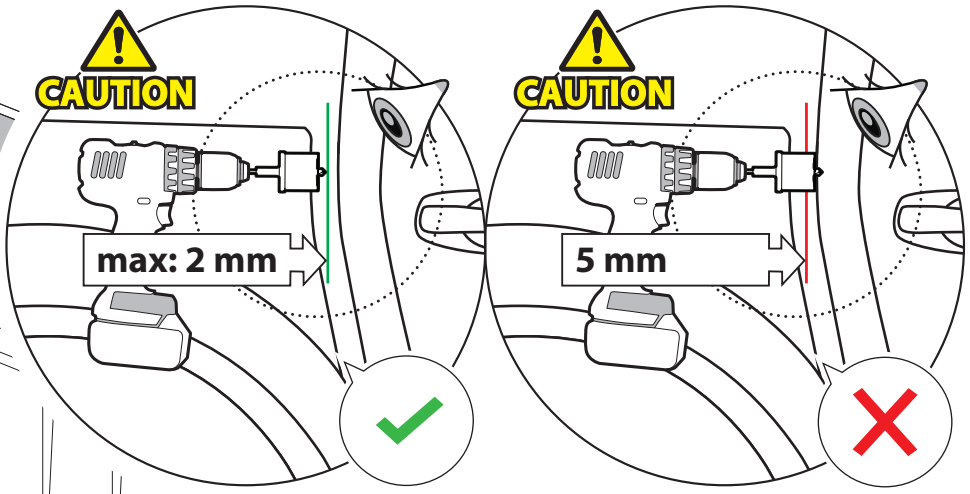




9

Ø 25 mm

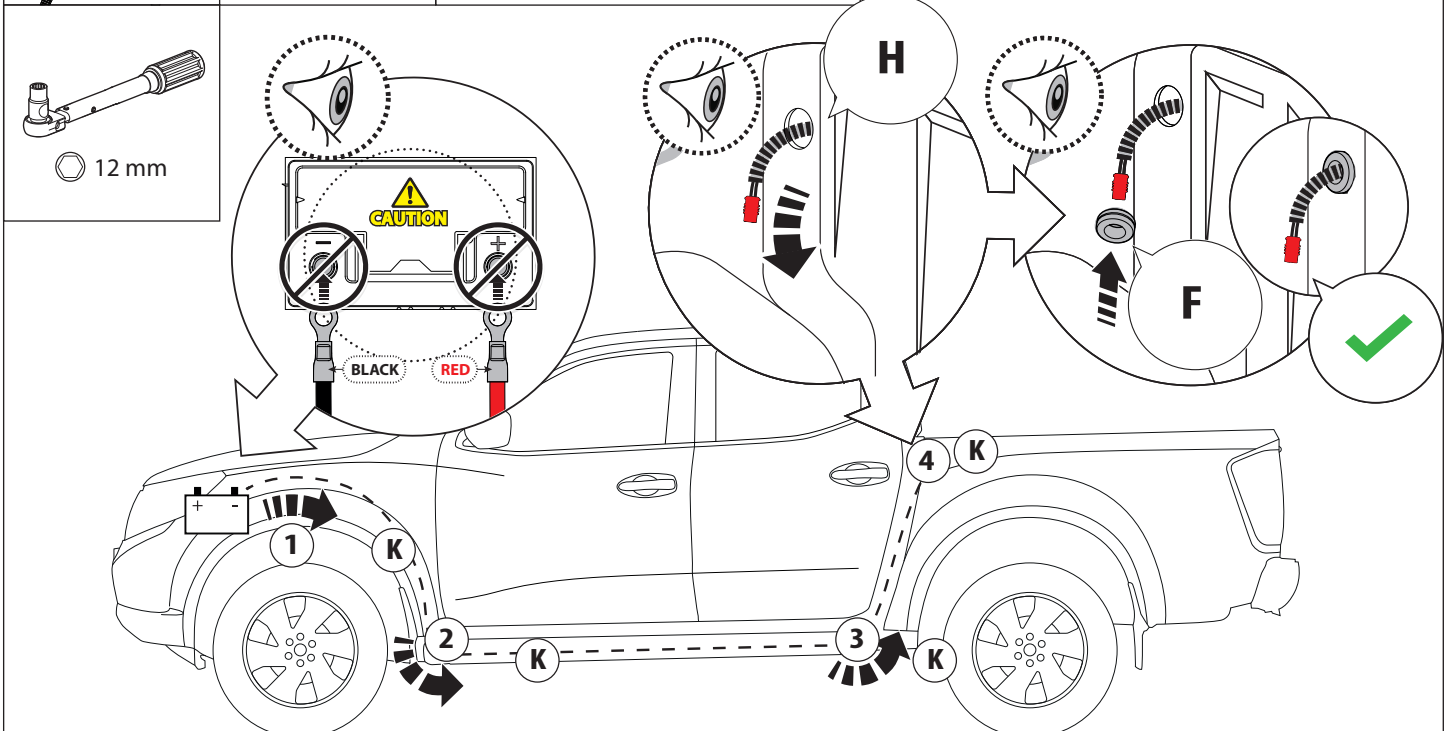
Rust Protection

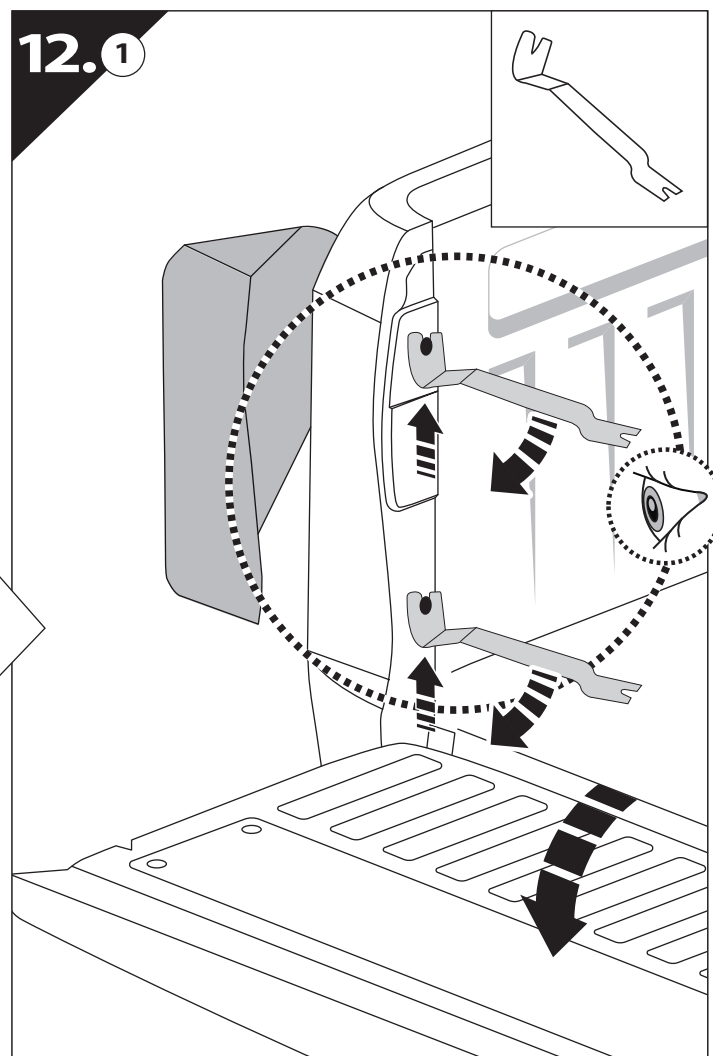
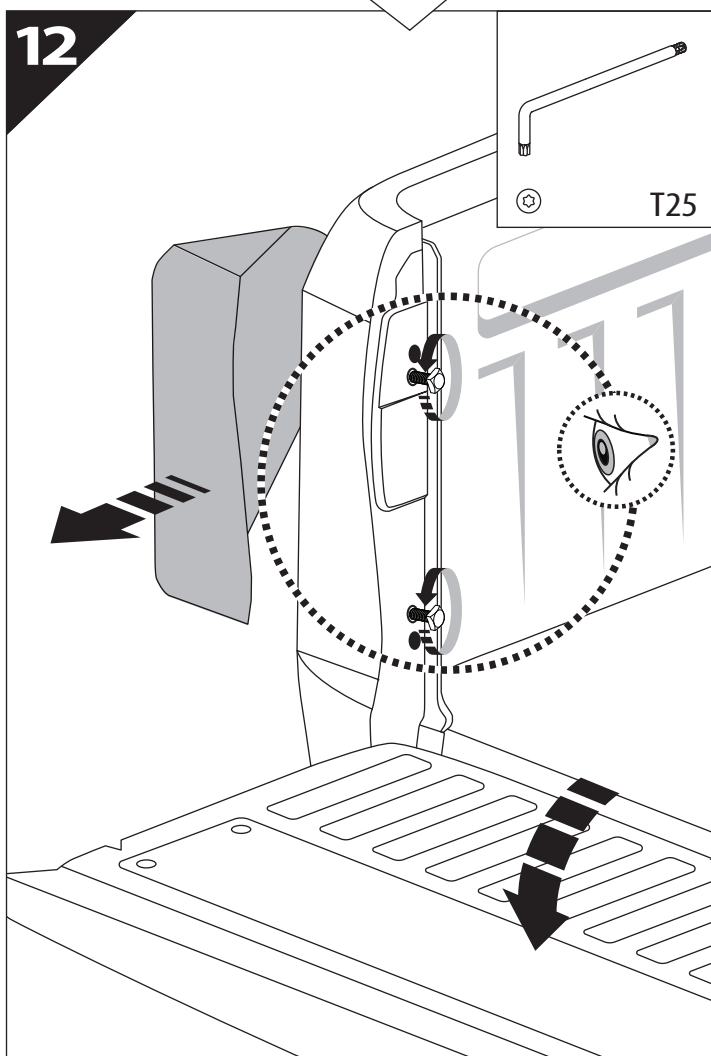
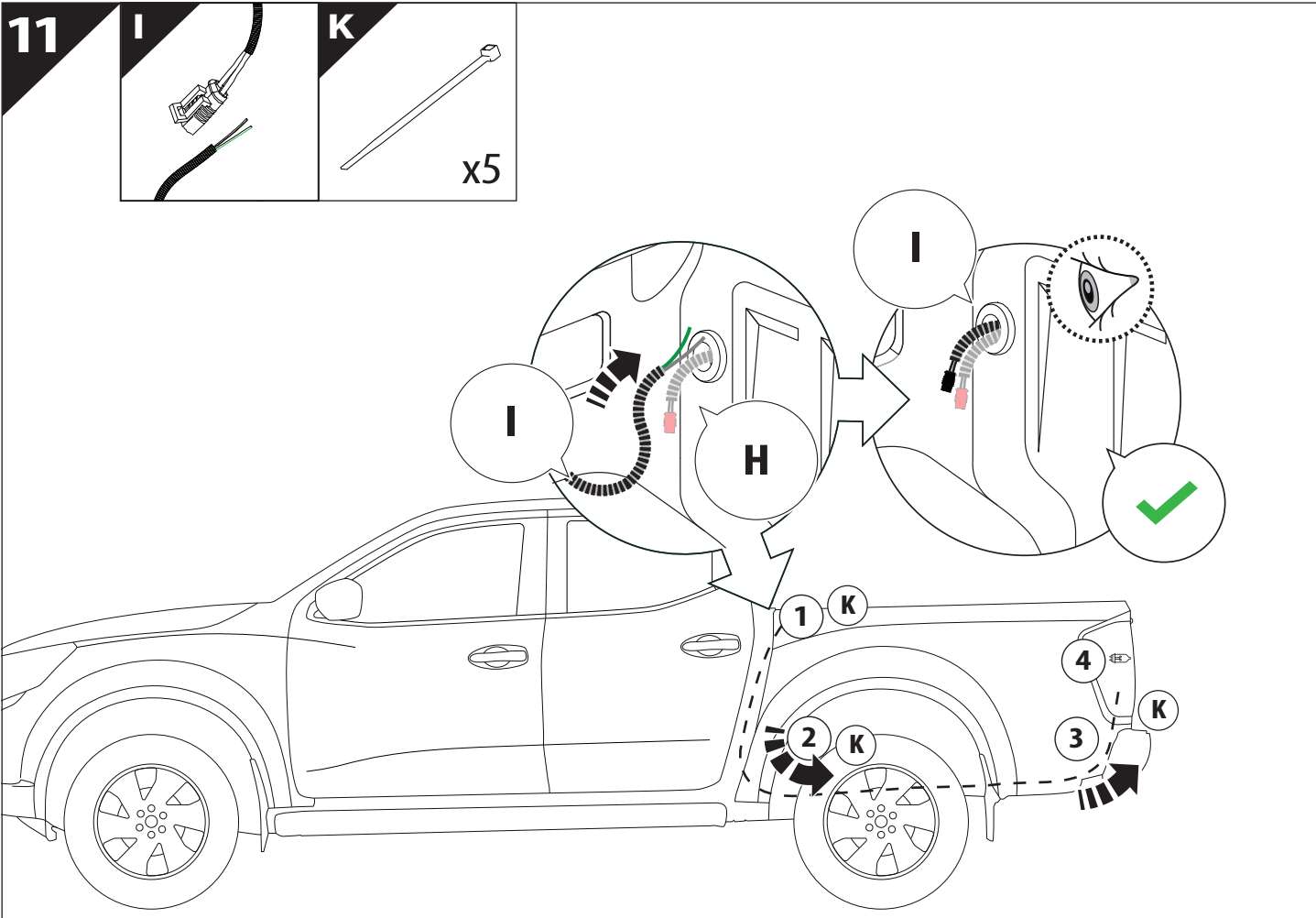


10

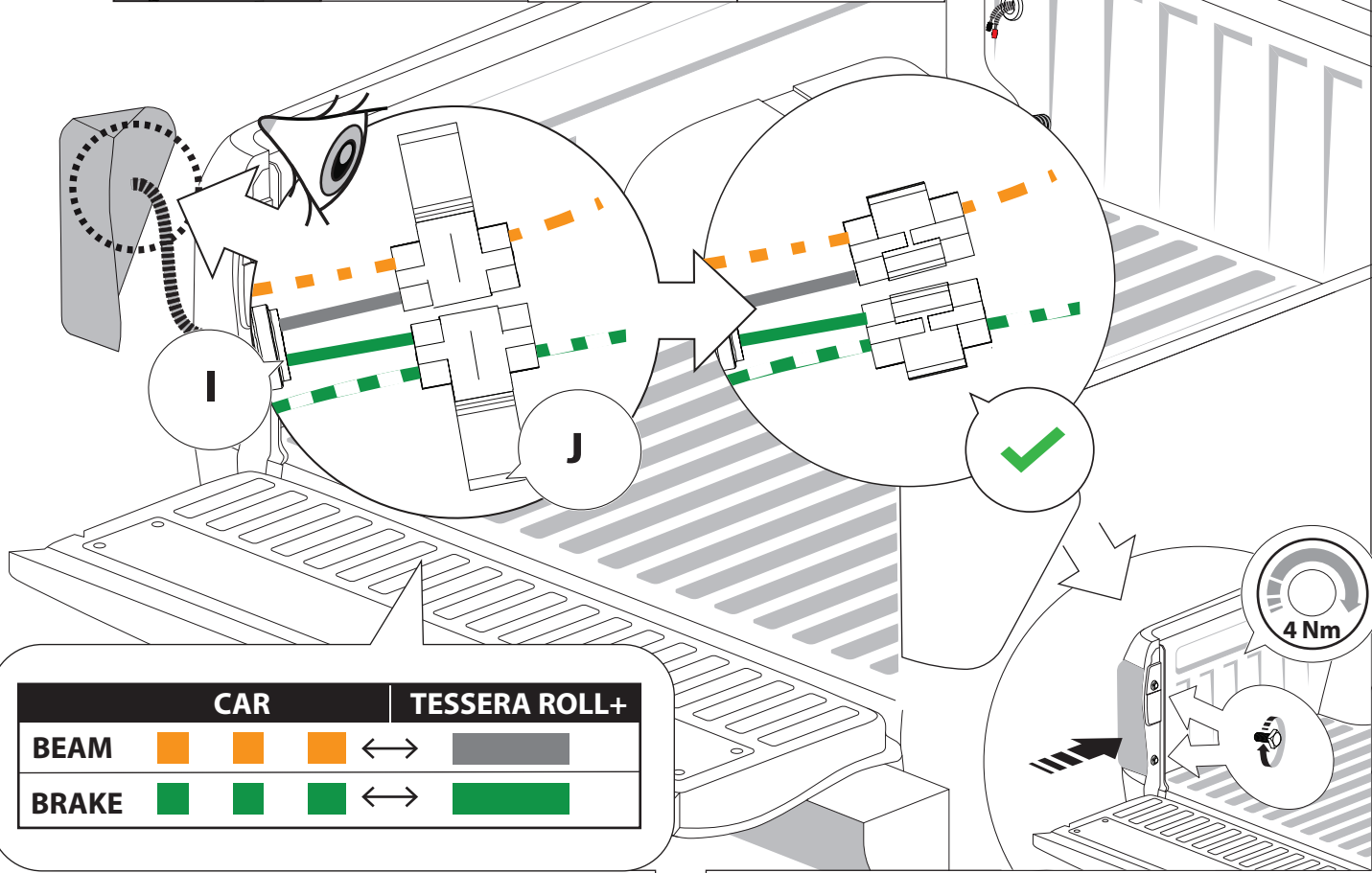
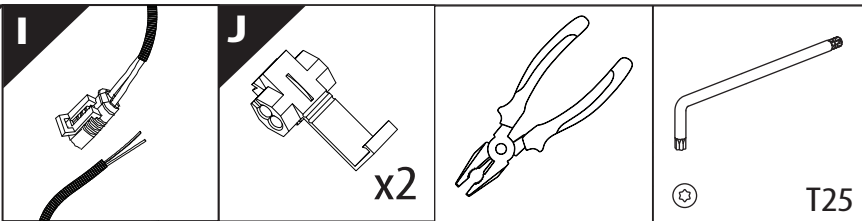
Only to be installed by authorized personnel

<p>H</p> <p>x1</p>	<p>K</p> <p>x10</p>	<p>F</p> <p>x1</p>
---------------------------	----------------------------	---------------------------

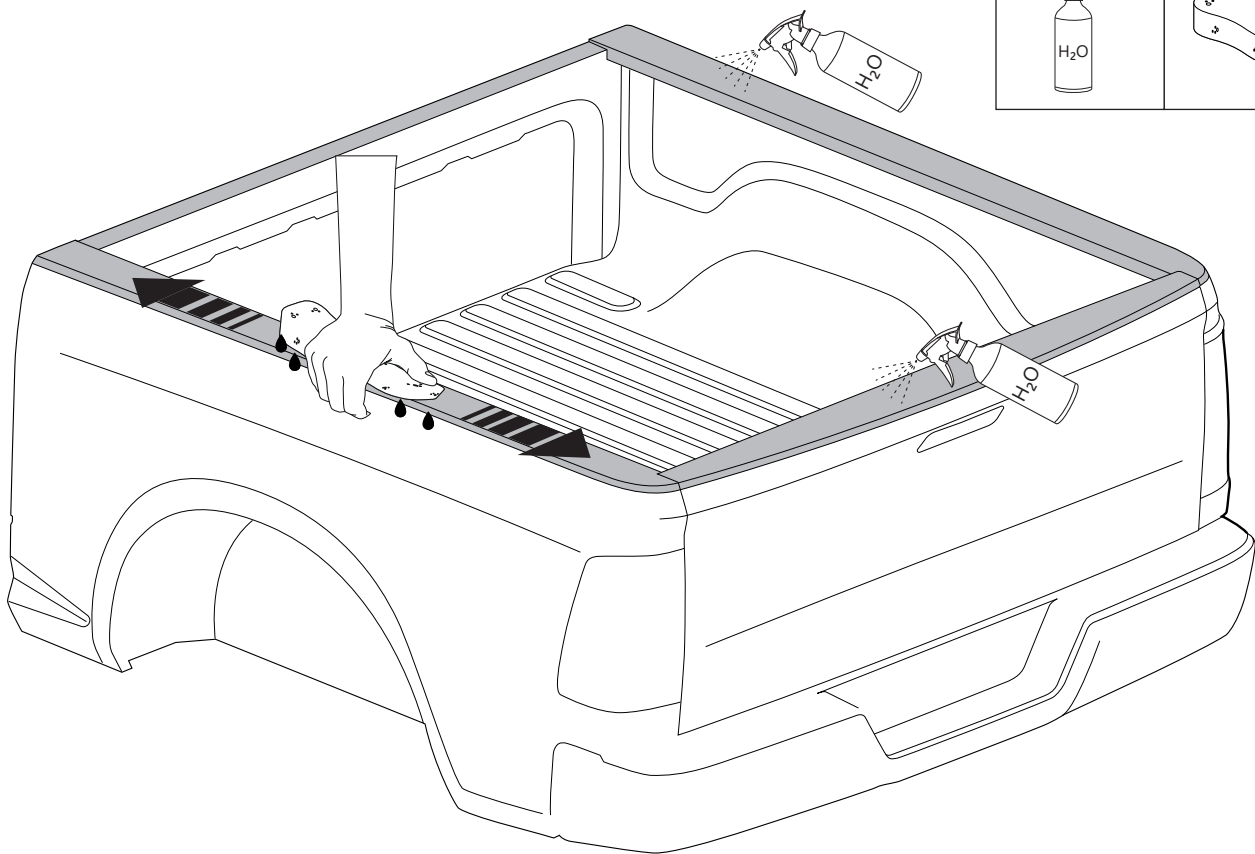
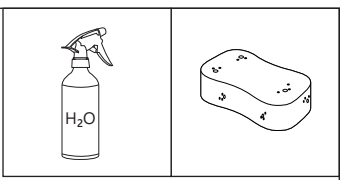


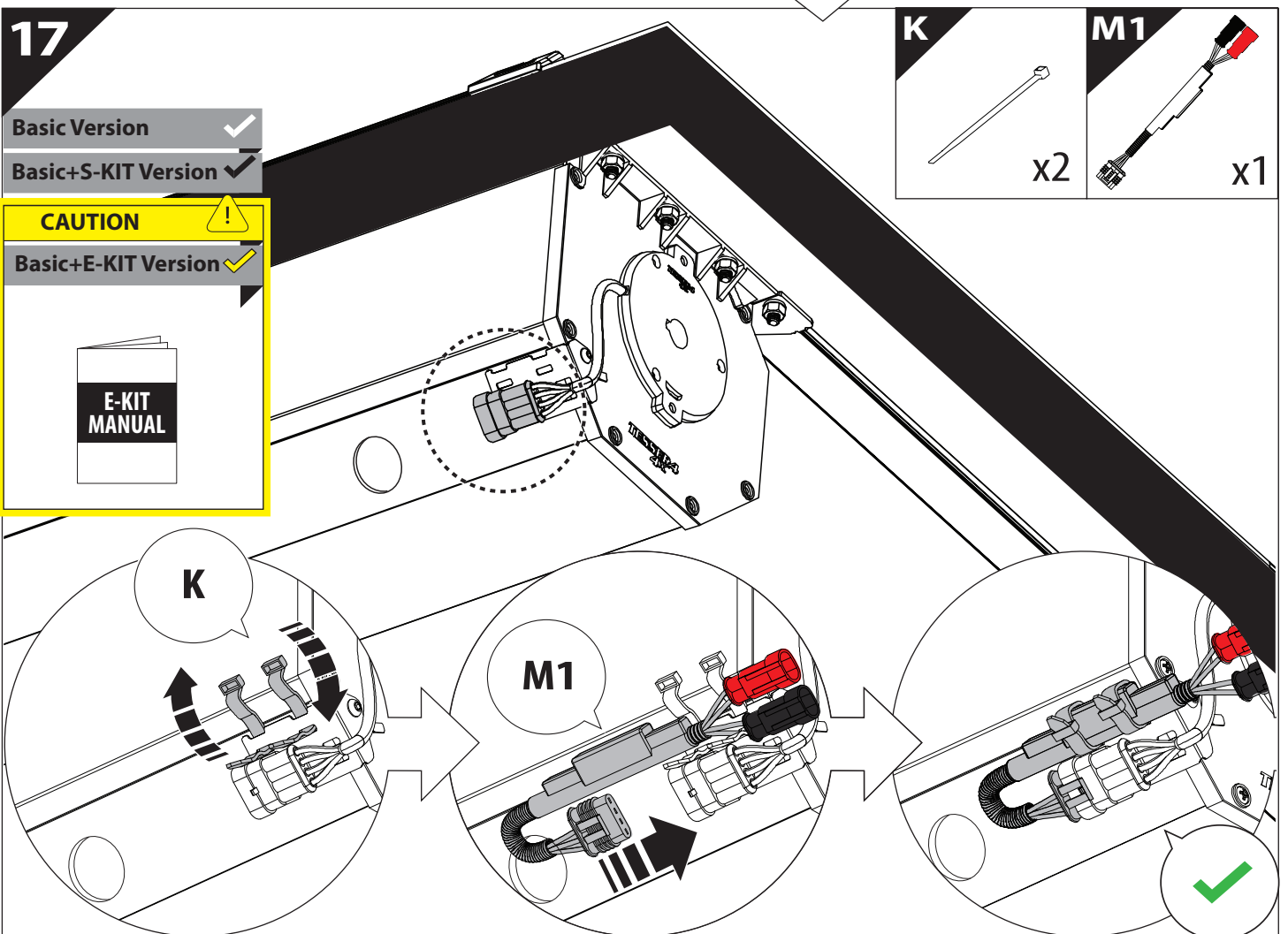
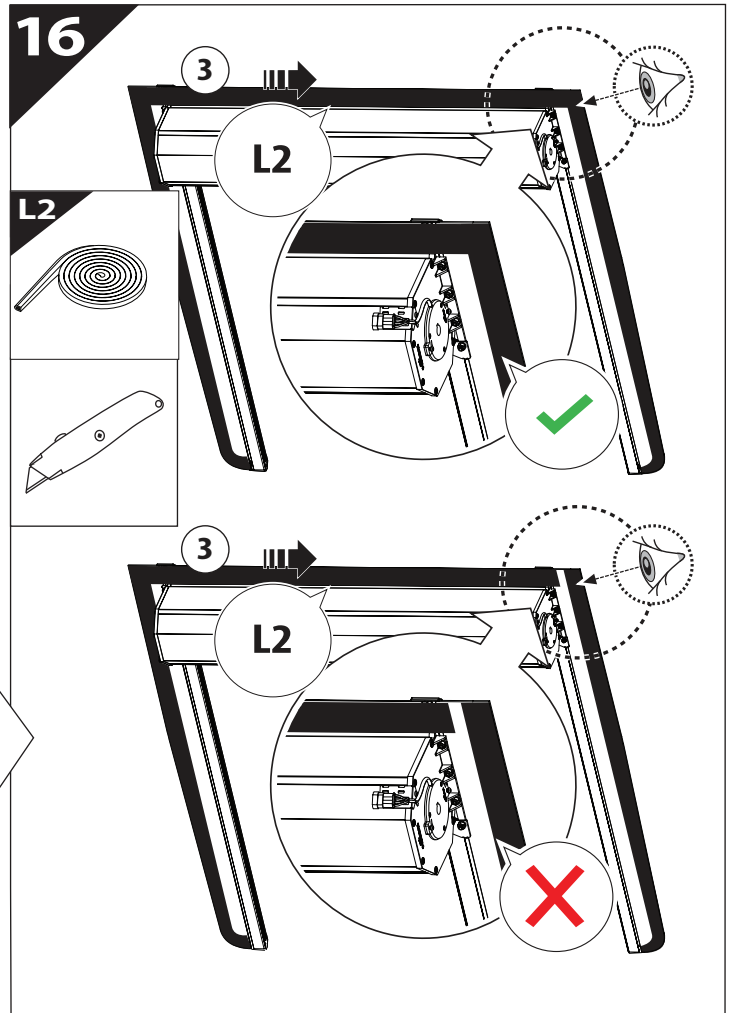
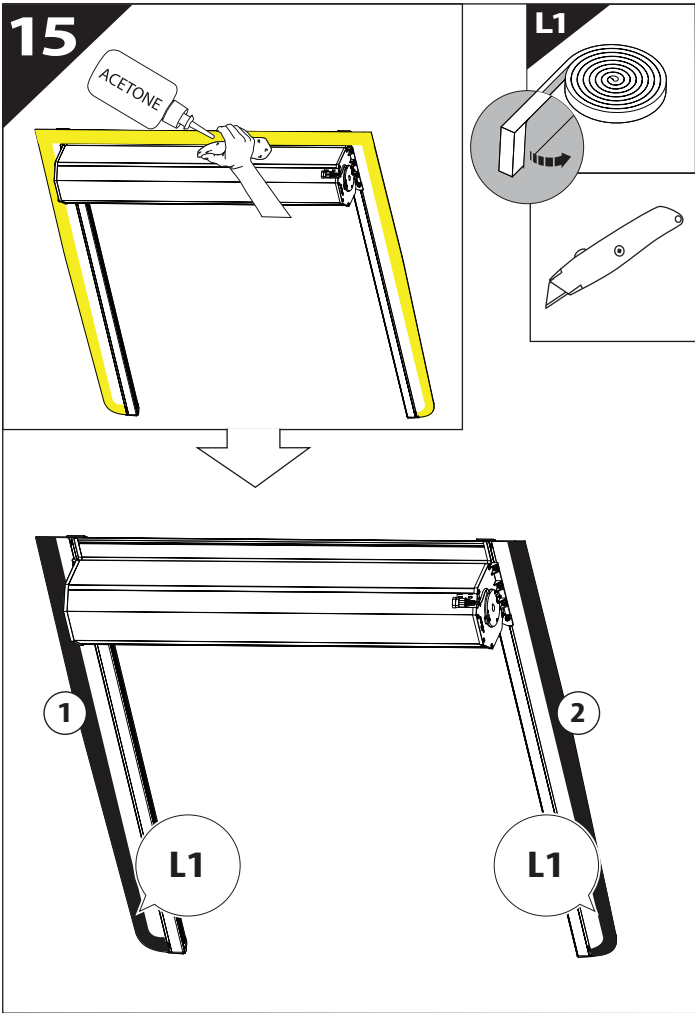


13



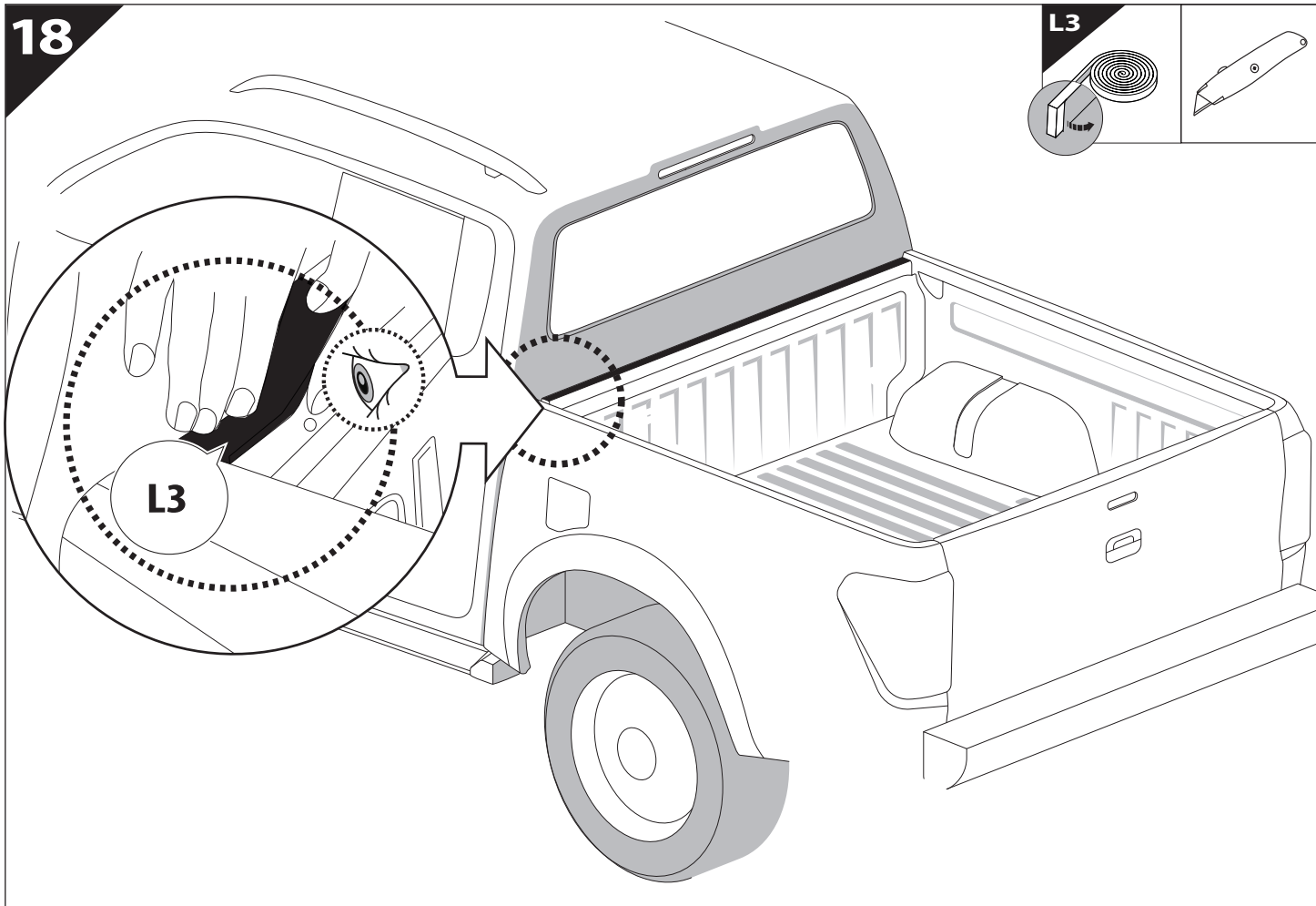
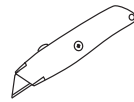
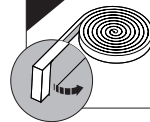
14

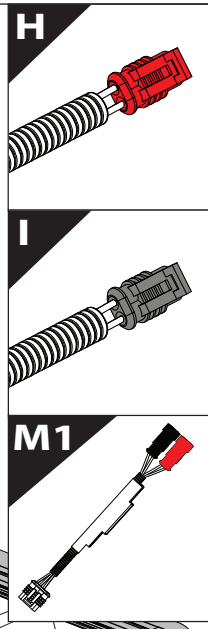
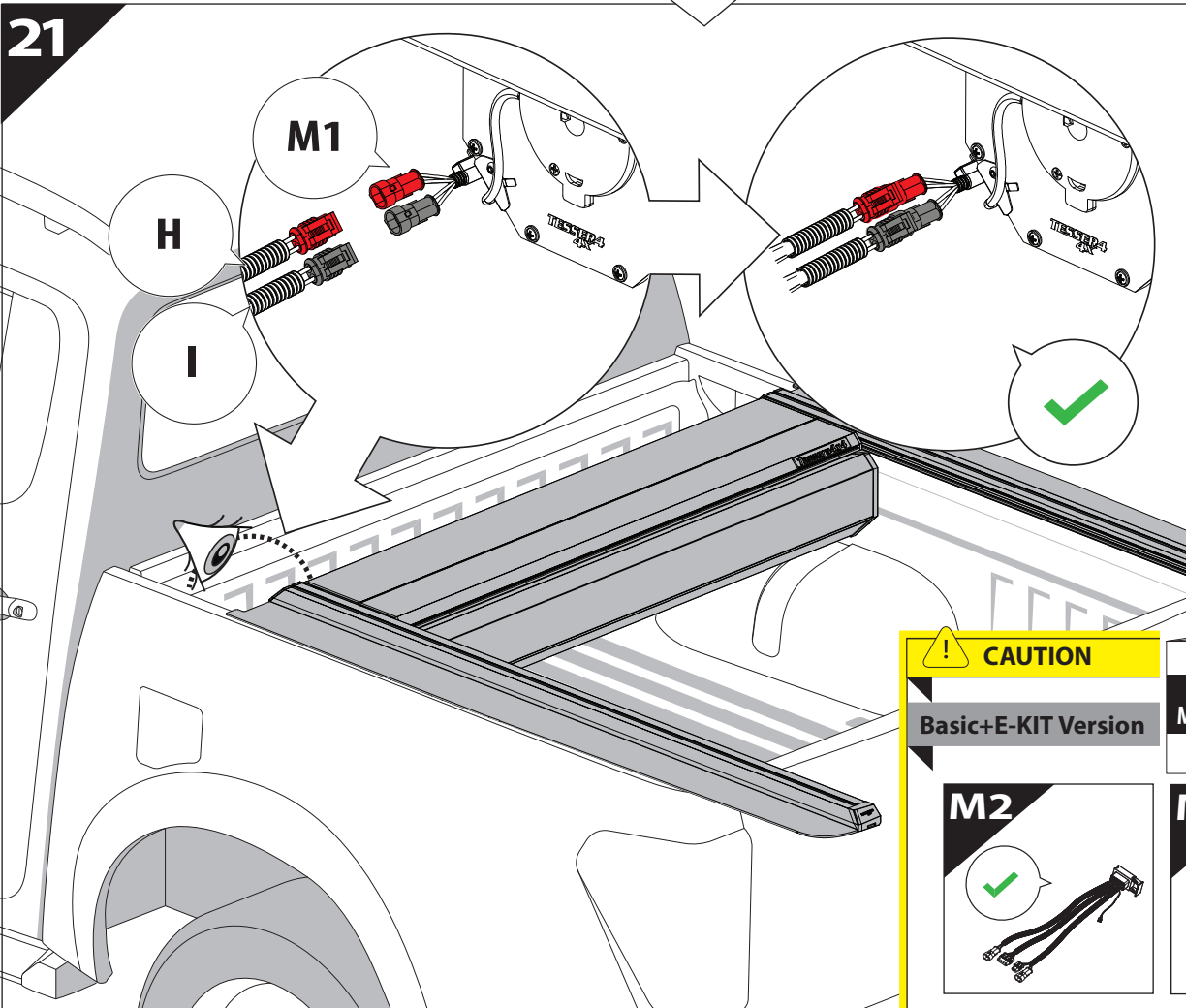
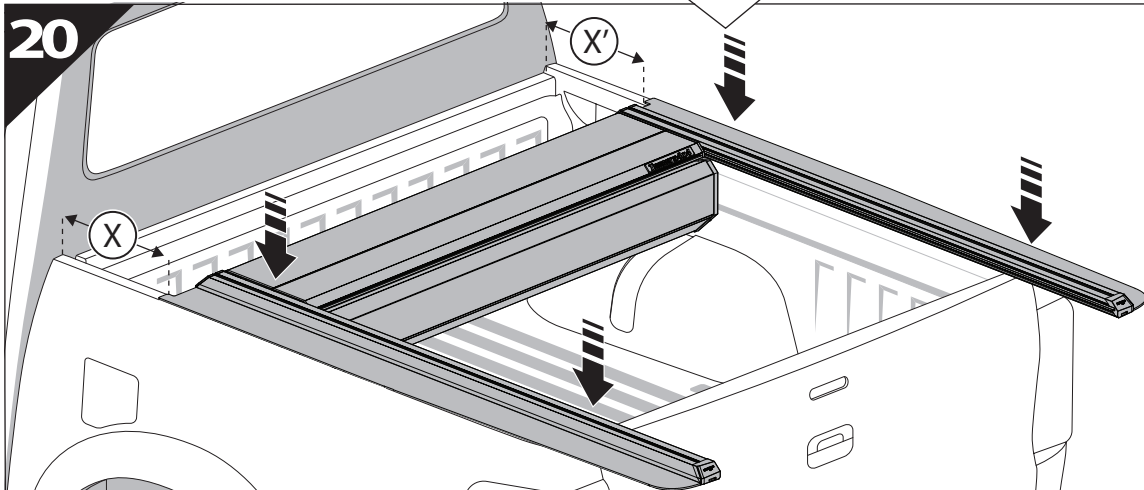
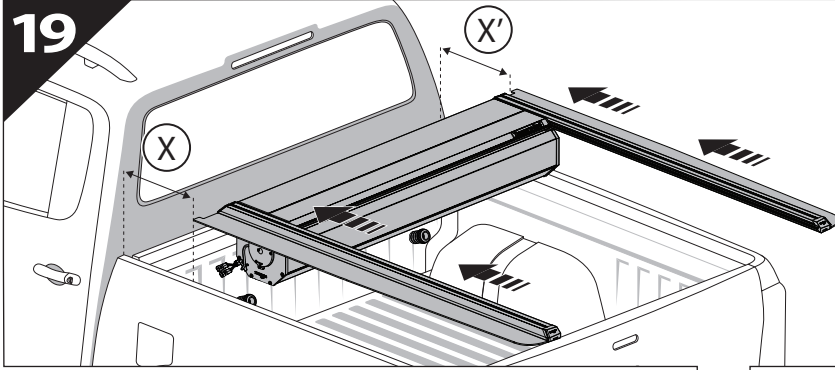




18

L3

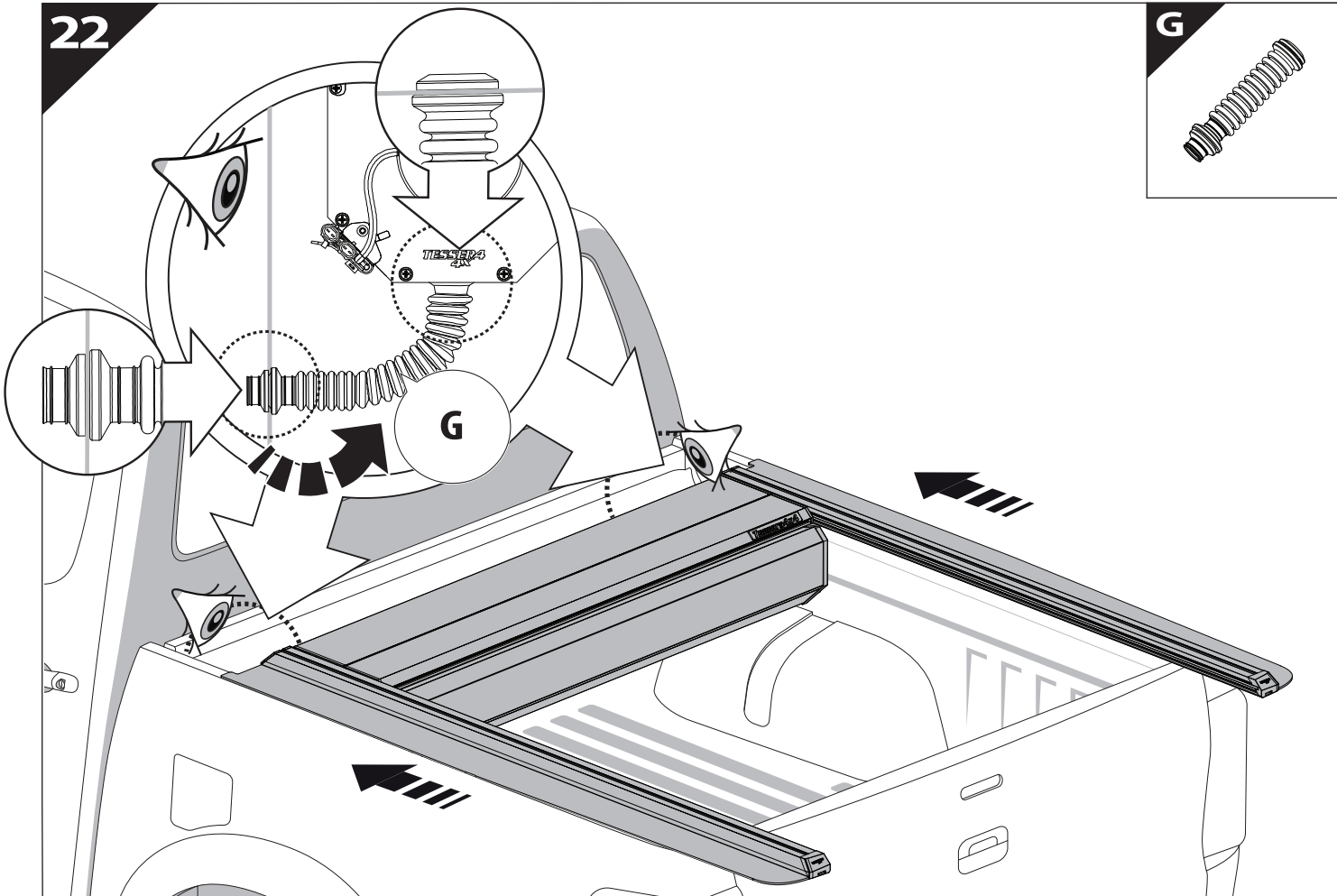




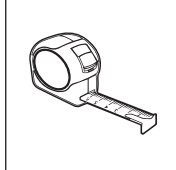
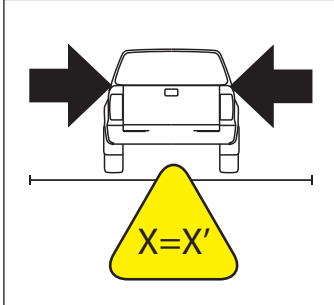
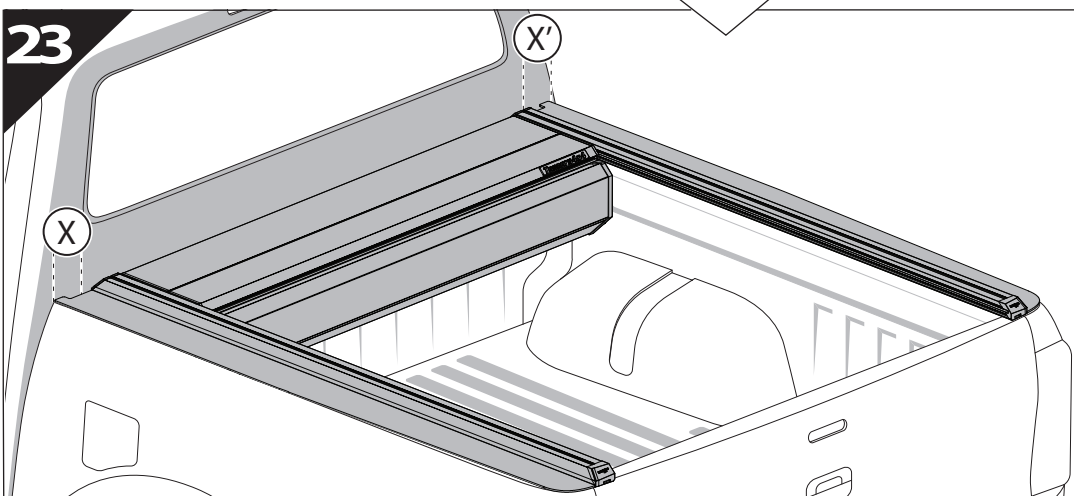
CAUTION	
Basic+E-KIT Version	
E-KIT MANUAL	
M2 ✓ 	M1 ✗

22

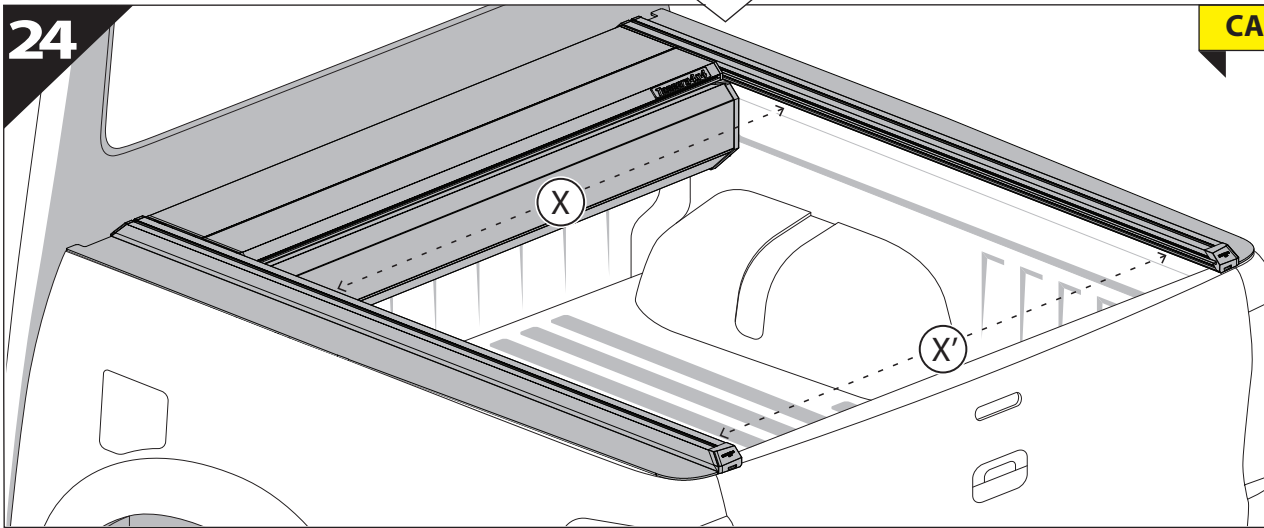
G



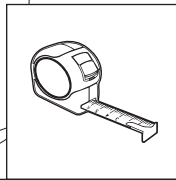
23

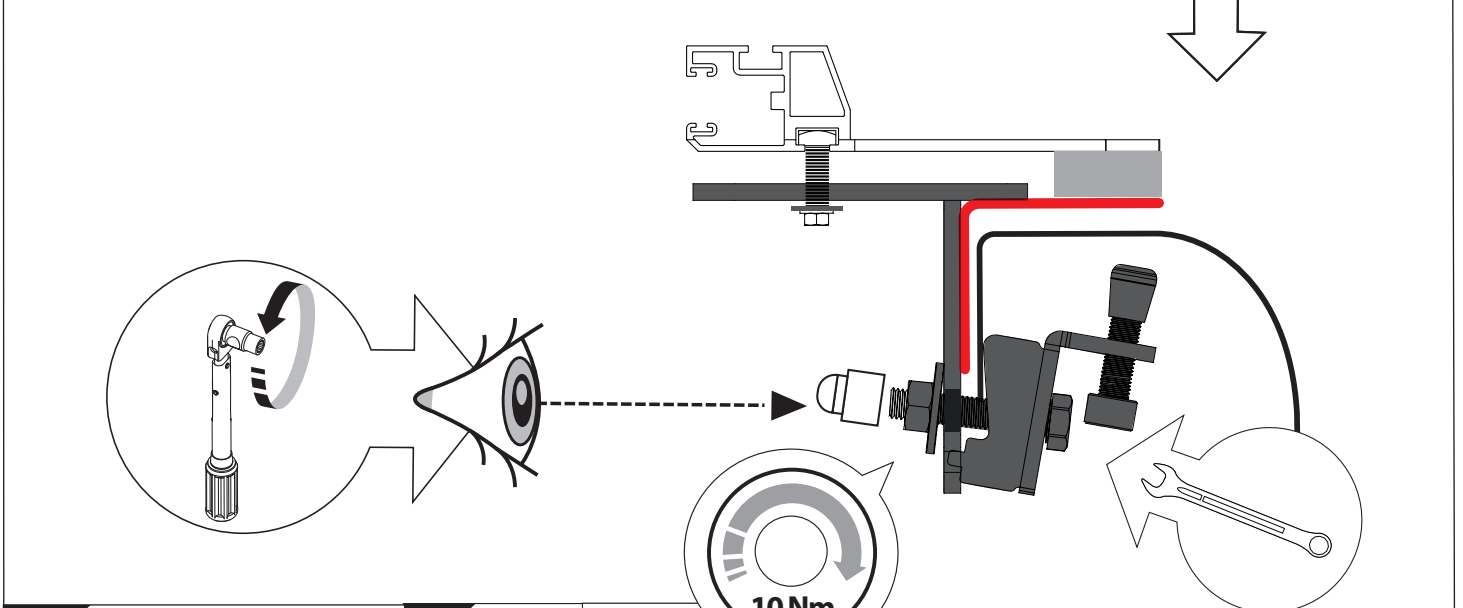
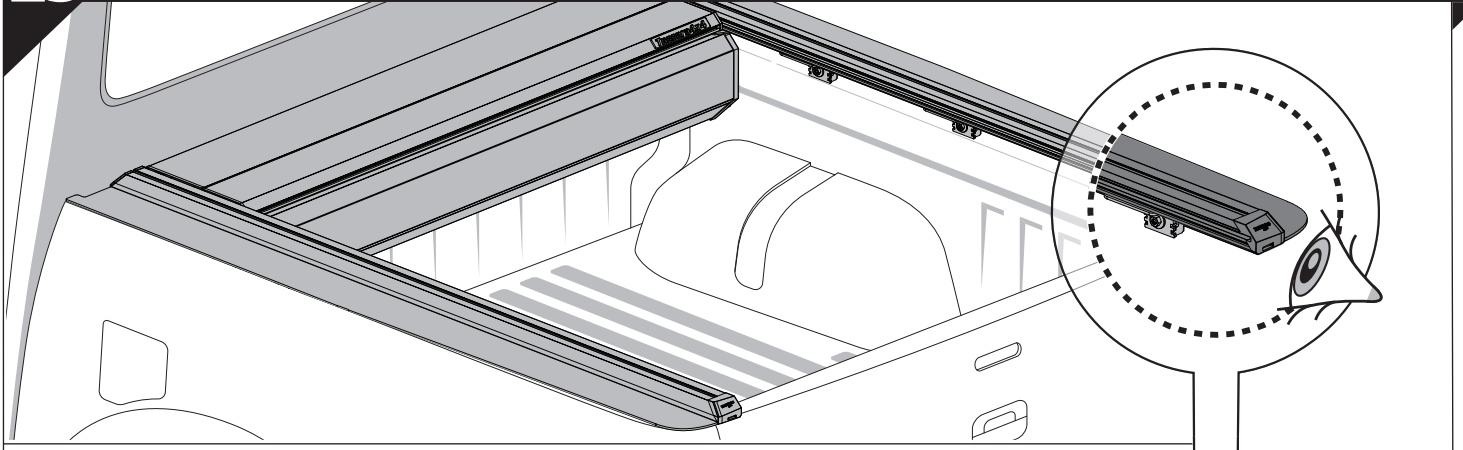


24



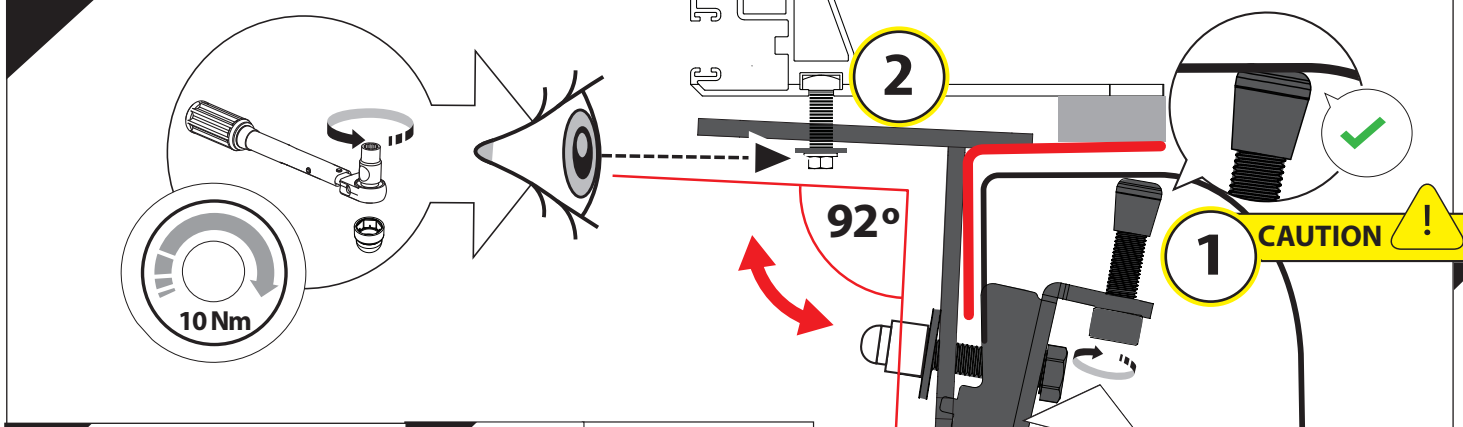
CAUTION !



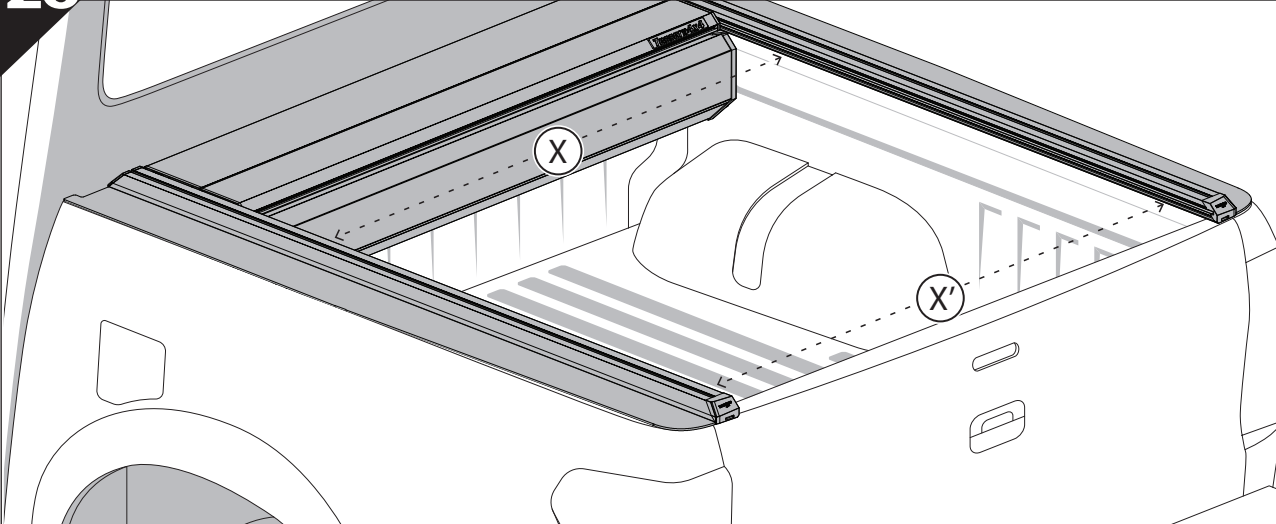


<p>N</p> <p>x6</p>	<p>E</p> <p>x6</p>	<p>13 mm</p>
---------------------------	---------------------------	--------------

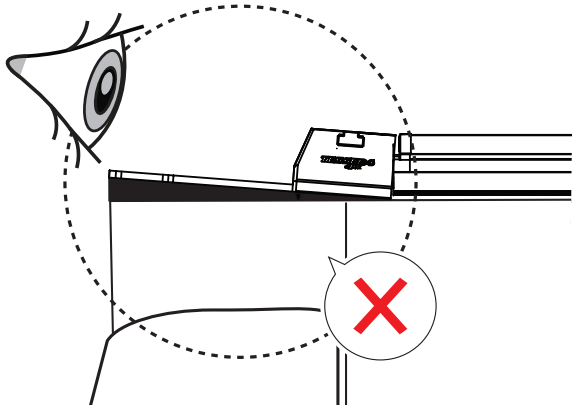
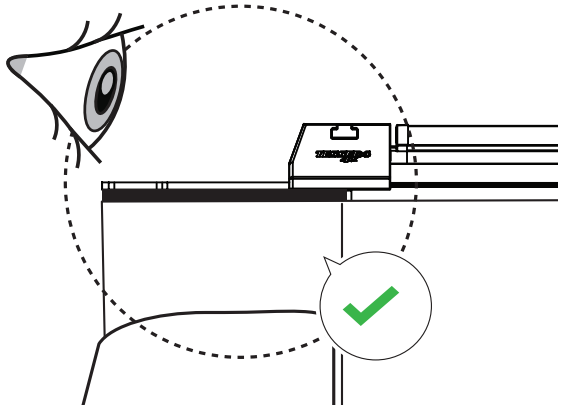
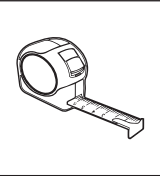
25.1



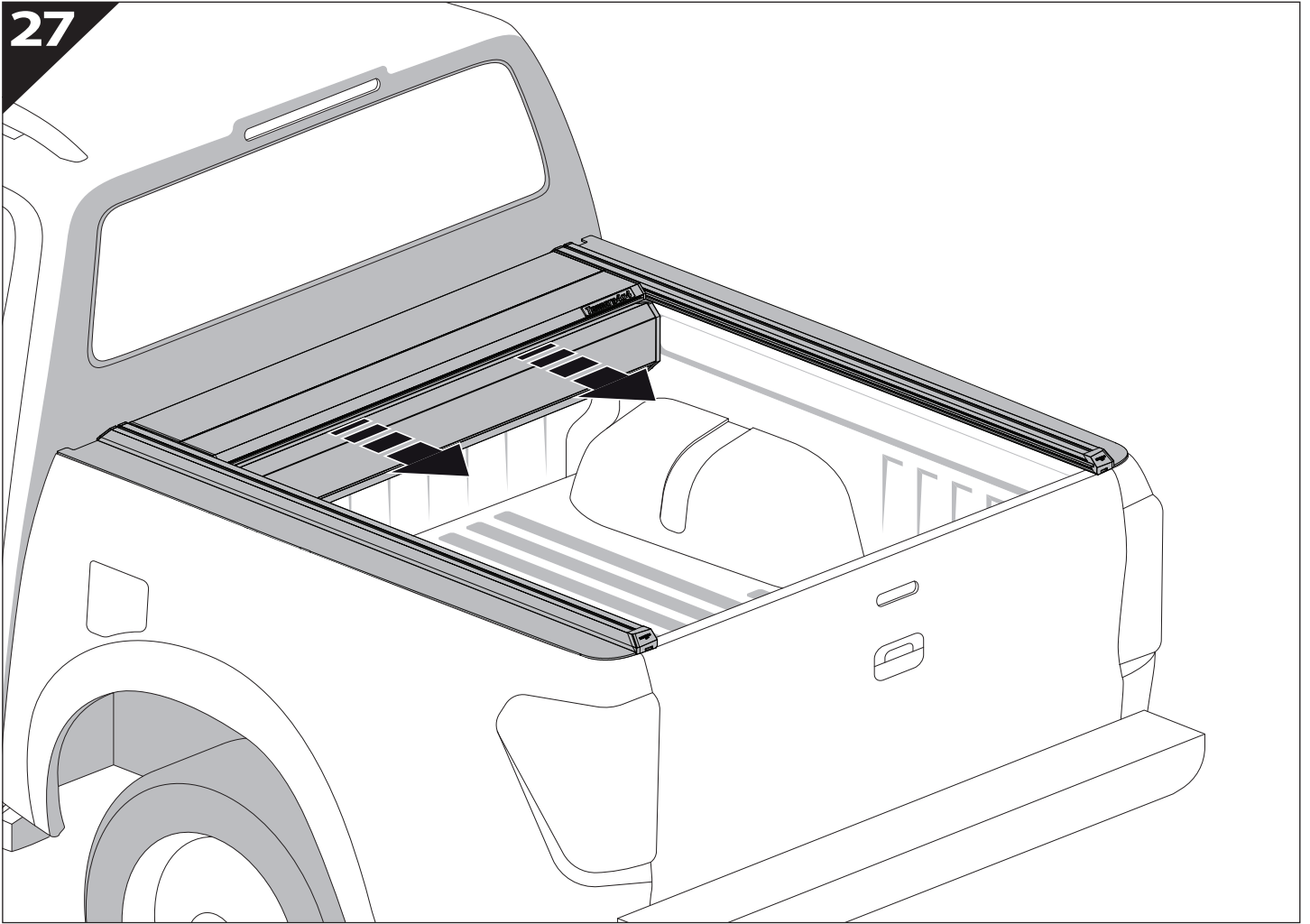
<p>N</p> <p>x6</p>	<p>E</p> <p>x6</p>	<p>13 mm</p>
---------------------------	---------------------------	--------------



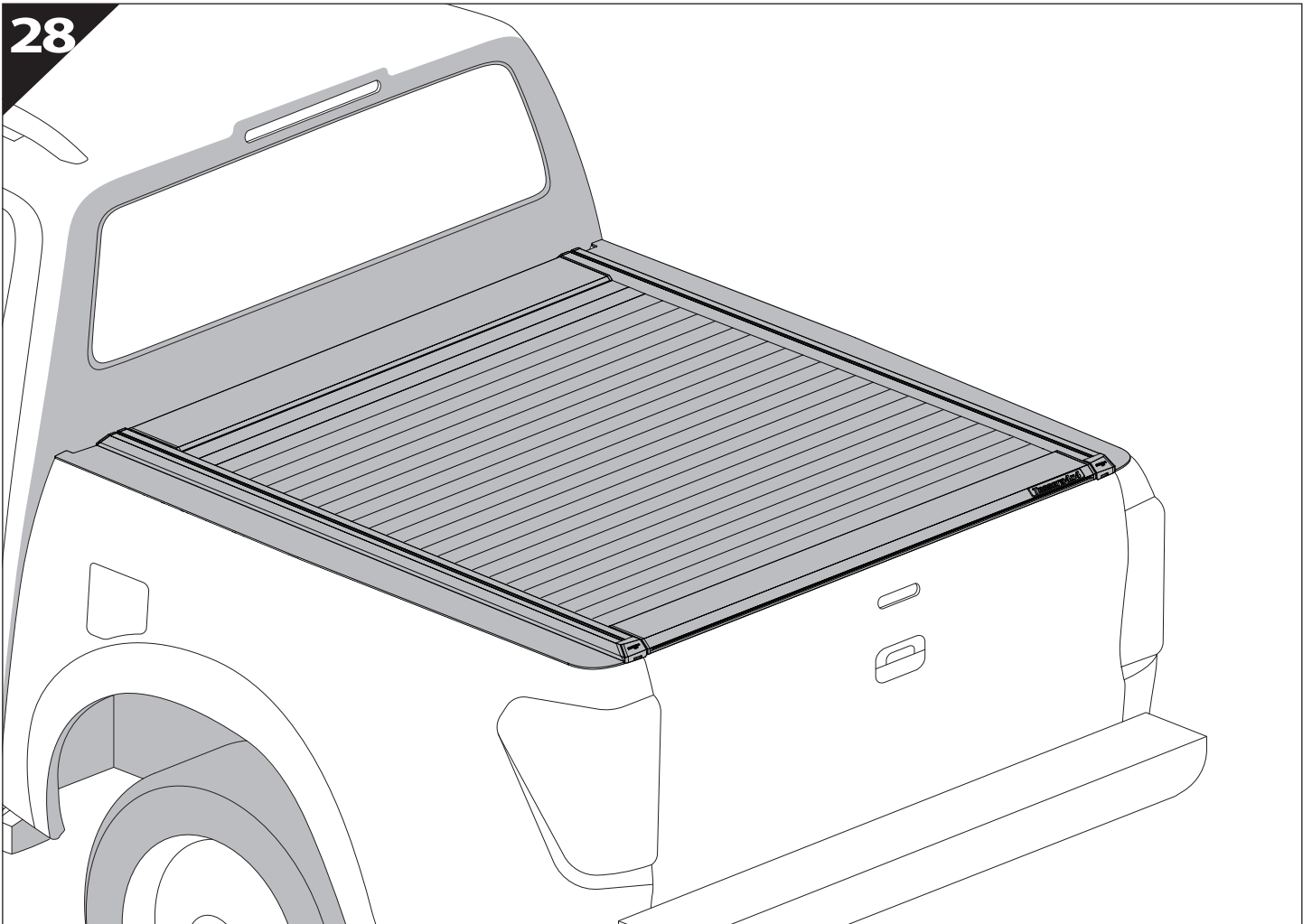
X=X'



27



28





GR: Οδηγίες Εγκατάστασης
GB: Installation manual
SF: Asennusohje
F: Notice de montage
PL: Instrukcja montażu
NL: Installatie-instructies
TR: Montaj Talimatı
S: Monteringsanvisning
E: Instrucciones de montaje

H: Szerelési utasítás
P: Instruções de instalação
RUS: Инструкция по установке
N: Monteringsveiledning
D: Einbauanleitung
CZ: Návod k instalaci
I: Istruzioni de montaggio
DK: Monteringsvejledning
RO: Instructiuni de instalare

Customer Service:

+30 (210) 5541161, +30 (210) 5541154 (08:00 - 16:00 EET)

Support department:

info@gianso.gr

Website:

www.tessera4x4.com

Address:

19.5 km of National road Athens-Korinthos (Elefsina) Greece, P.C: 19200