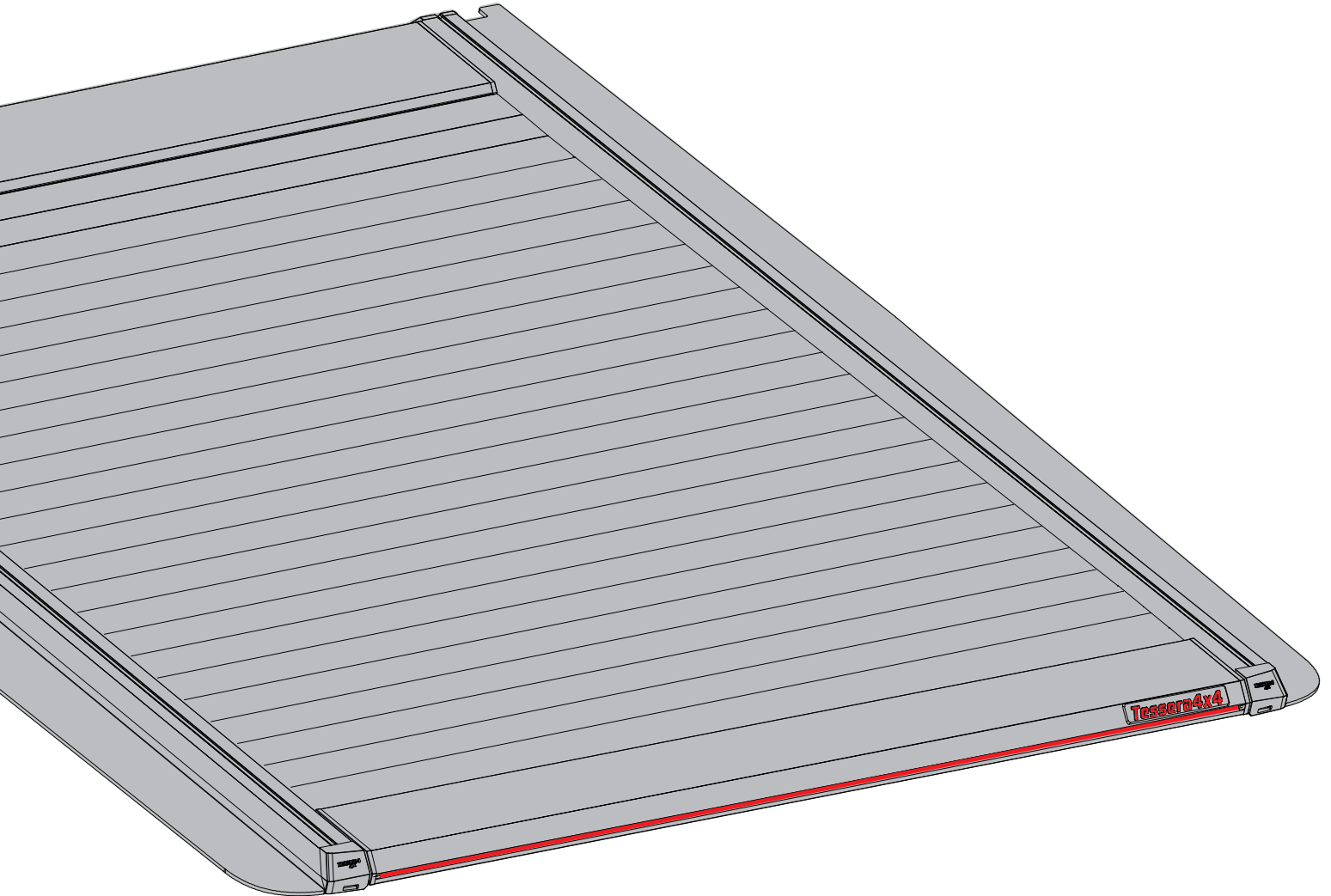


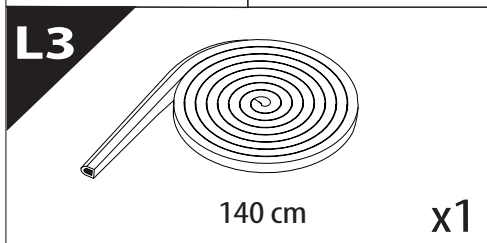
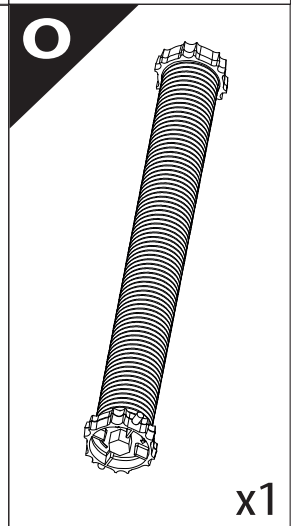
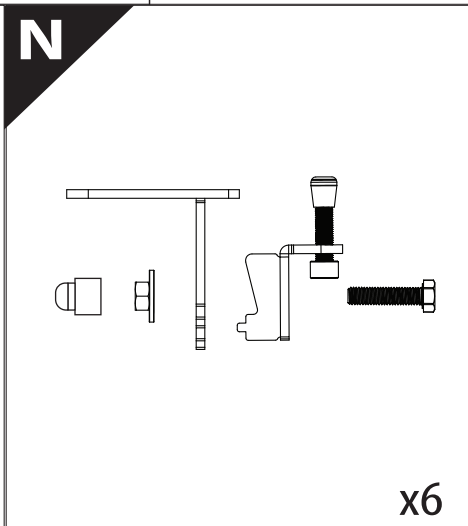
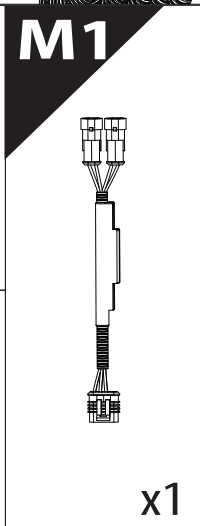
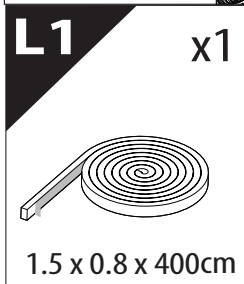
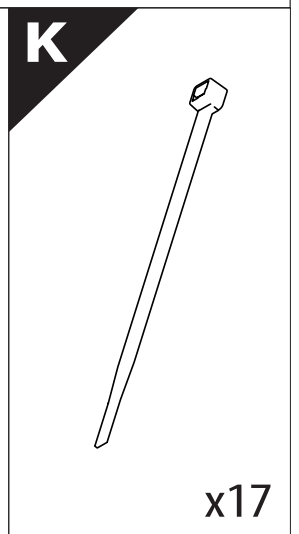
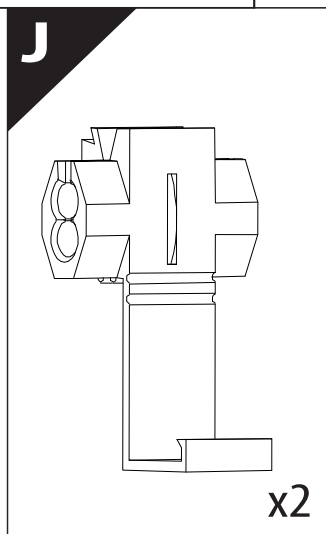
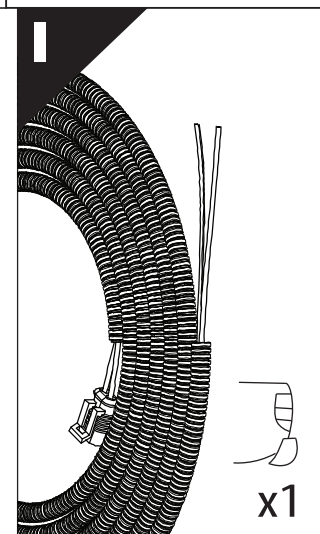
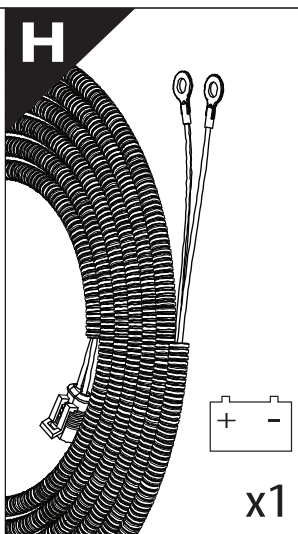
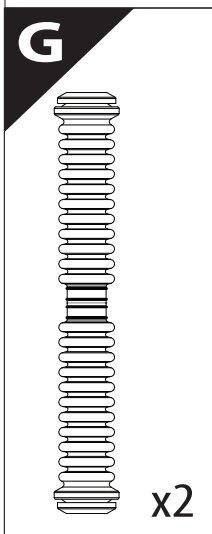
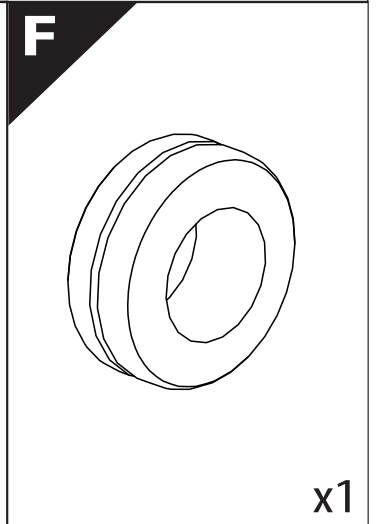
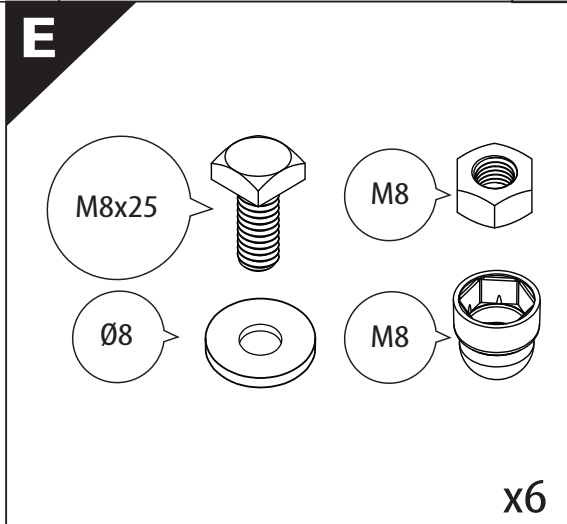
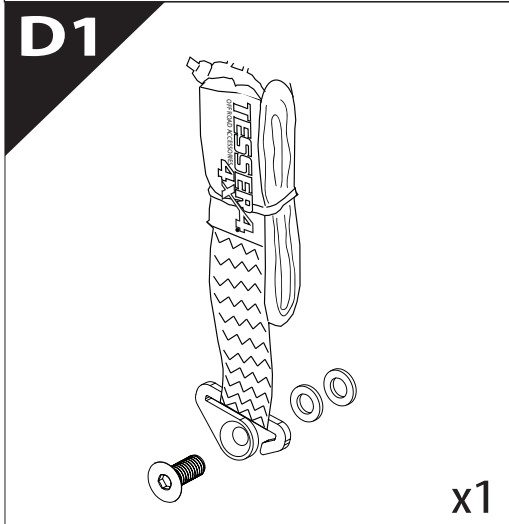
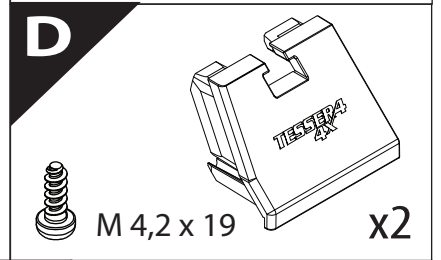
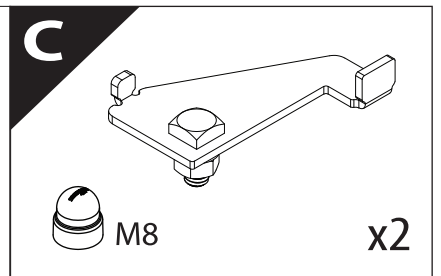
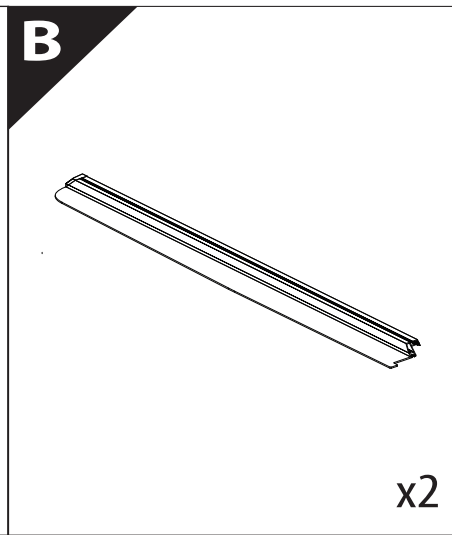
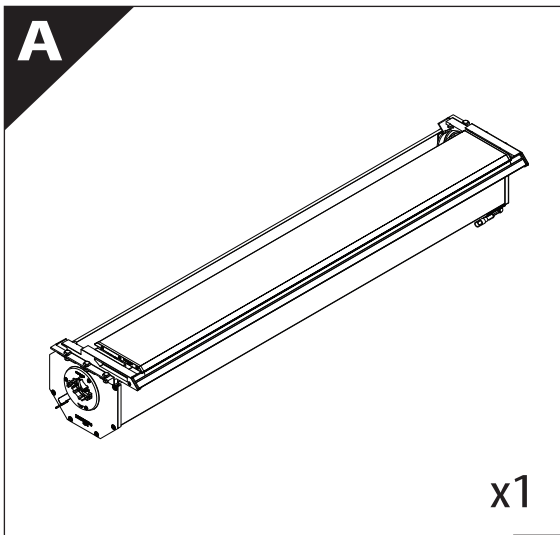
Tessera Roll+

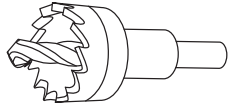
Basic Version + ⚙️ S-KIT



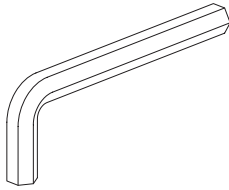
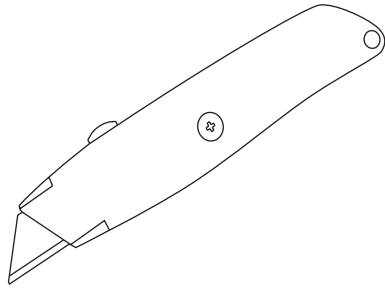
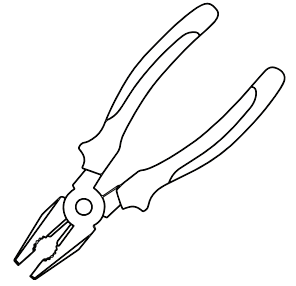
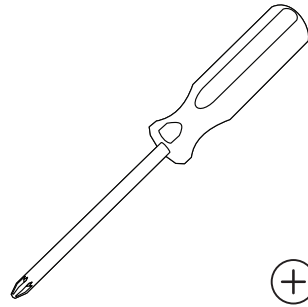
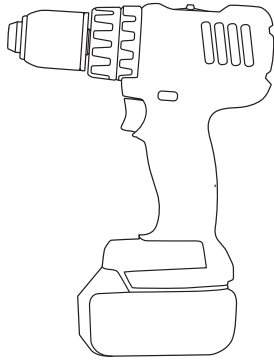
Installation Manual

PART NUMBER(S)	Model Year
TESS 1435 ROLL+S-KIT	GMC Canyon 2023+
TESS 1434 ROLL+S-KIT	Chevrolet Colorado 2023+
Cab(s)	Installation Time / Weight
Double Cab	40-60 minutes / 53-57 kg



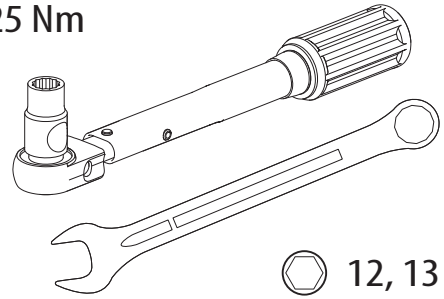


Ø 25 mm



4 mm

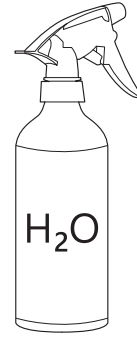
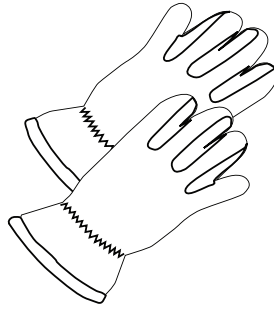
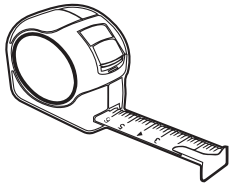
1 - 25 Nm



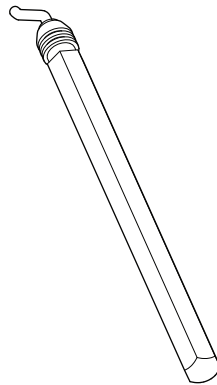
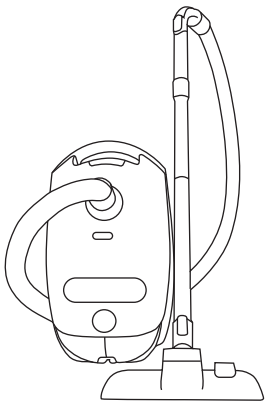
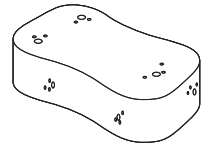
12, 13 mm



ACETONE



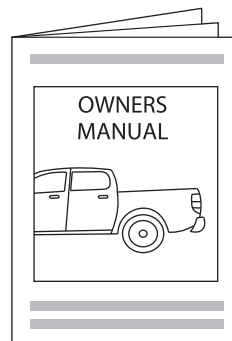
H₂O



ANTI-RUST



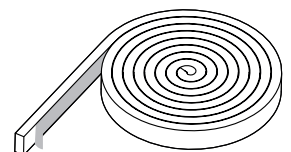
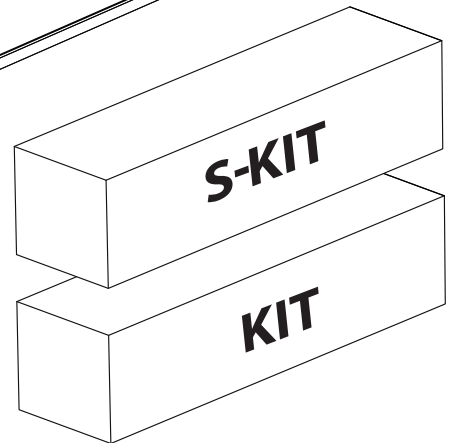
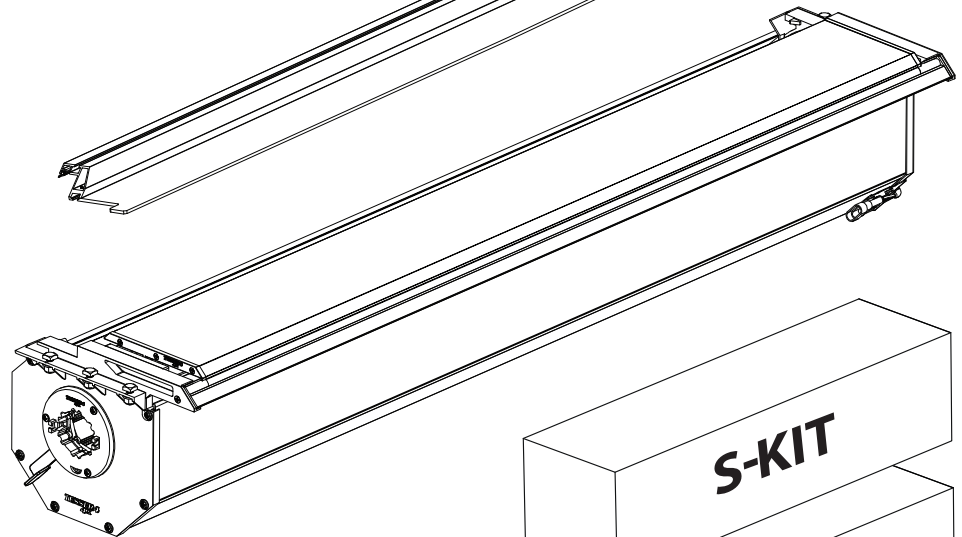
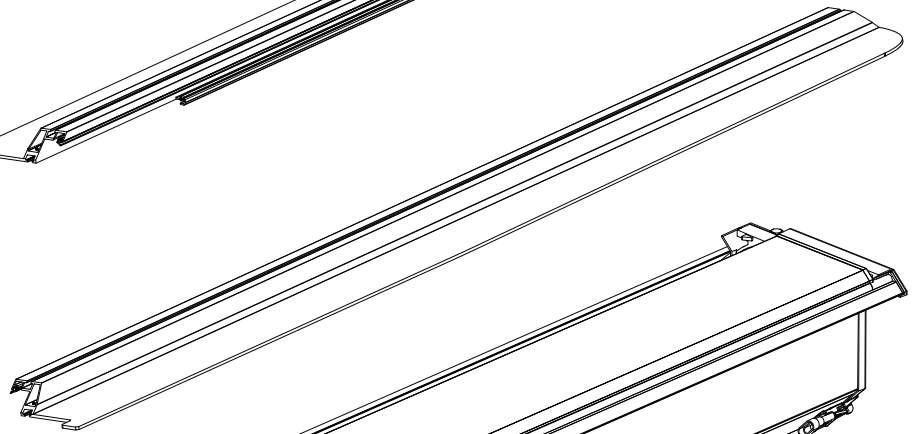
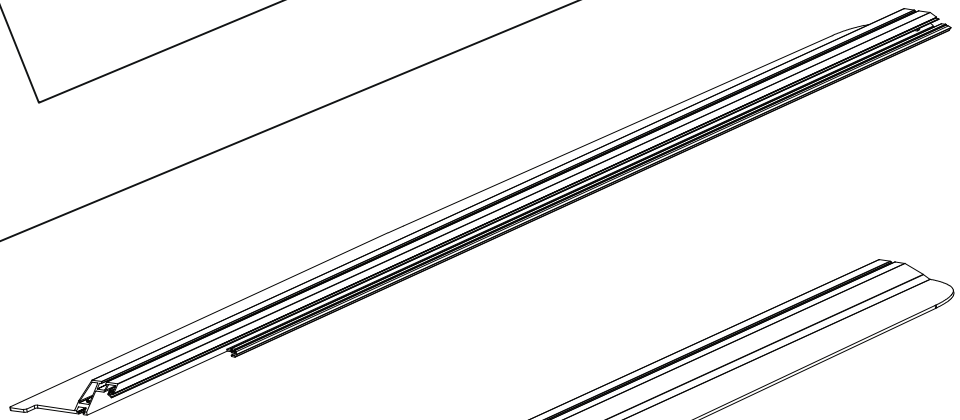
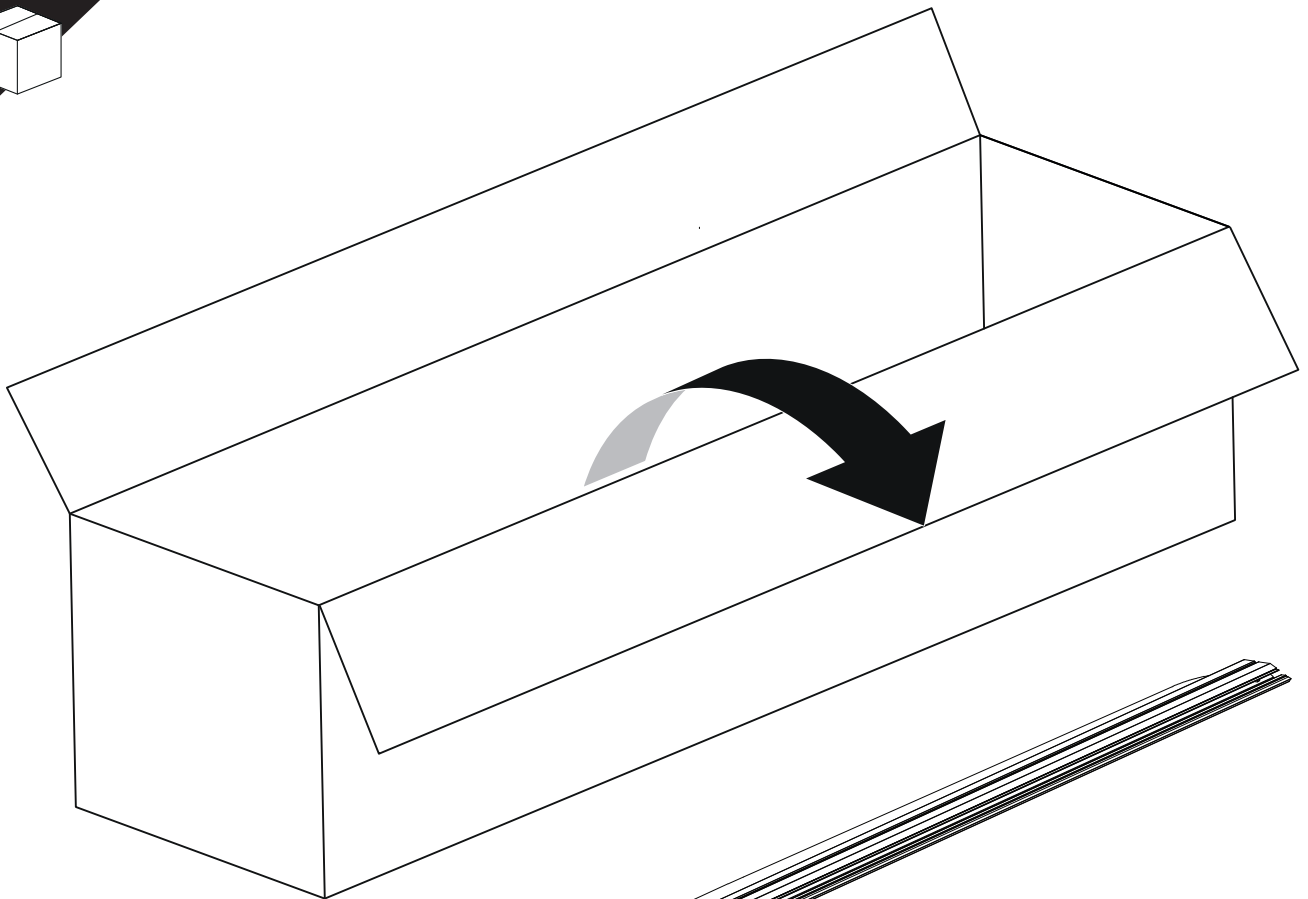
INSTALLATION
MANUAL
+S-KIT



OWNERS
MANUAL



x1

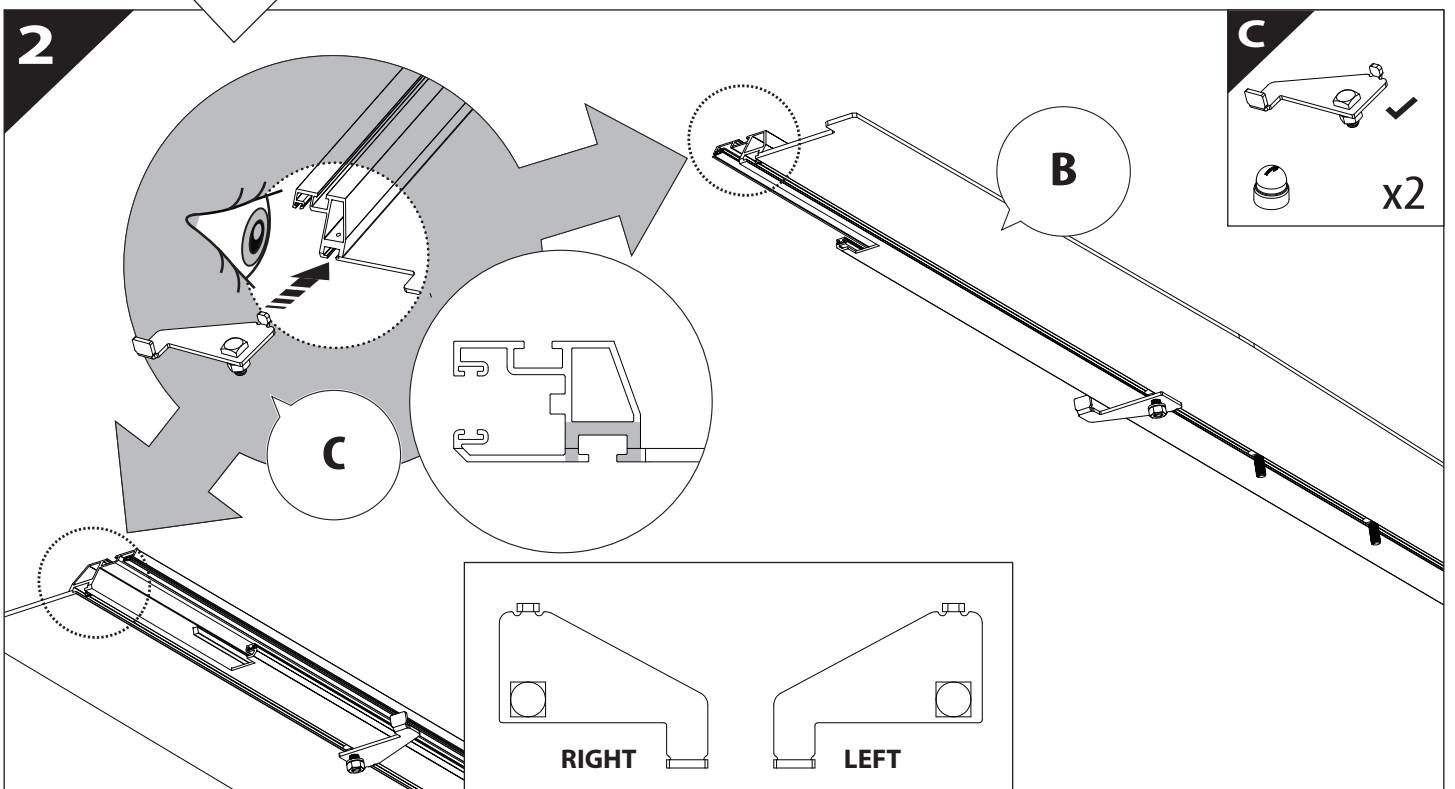
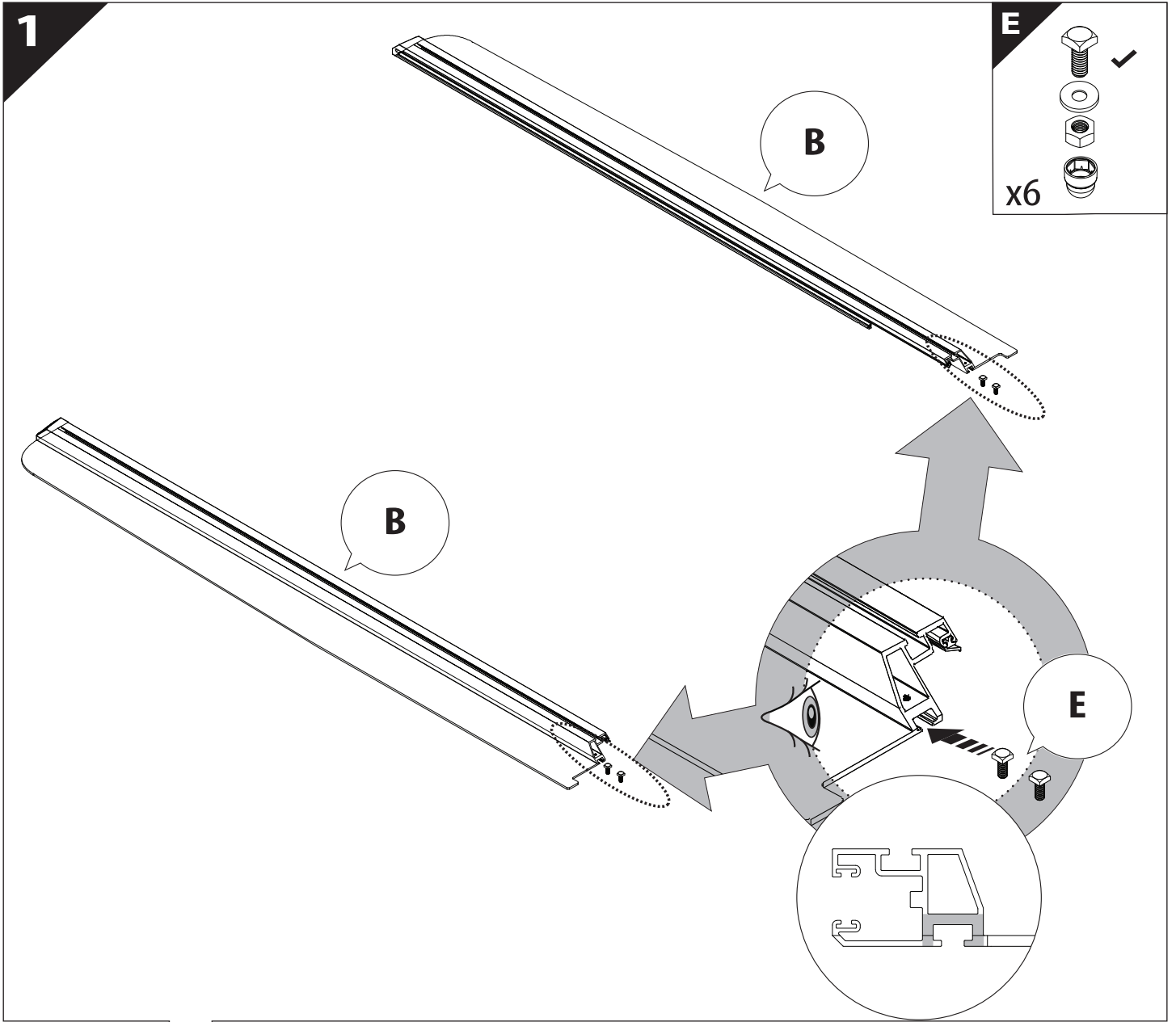


B

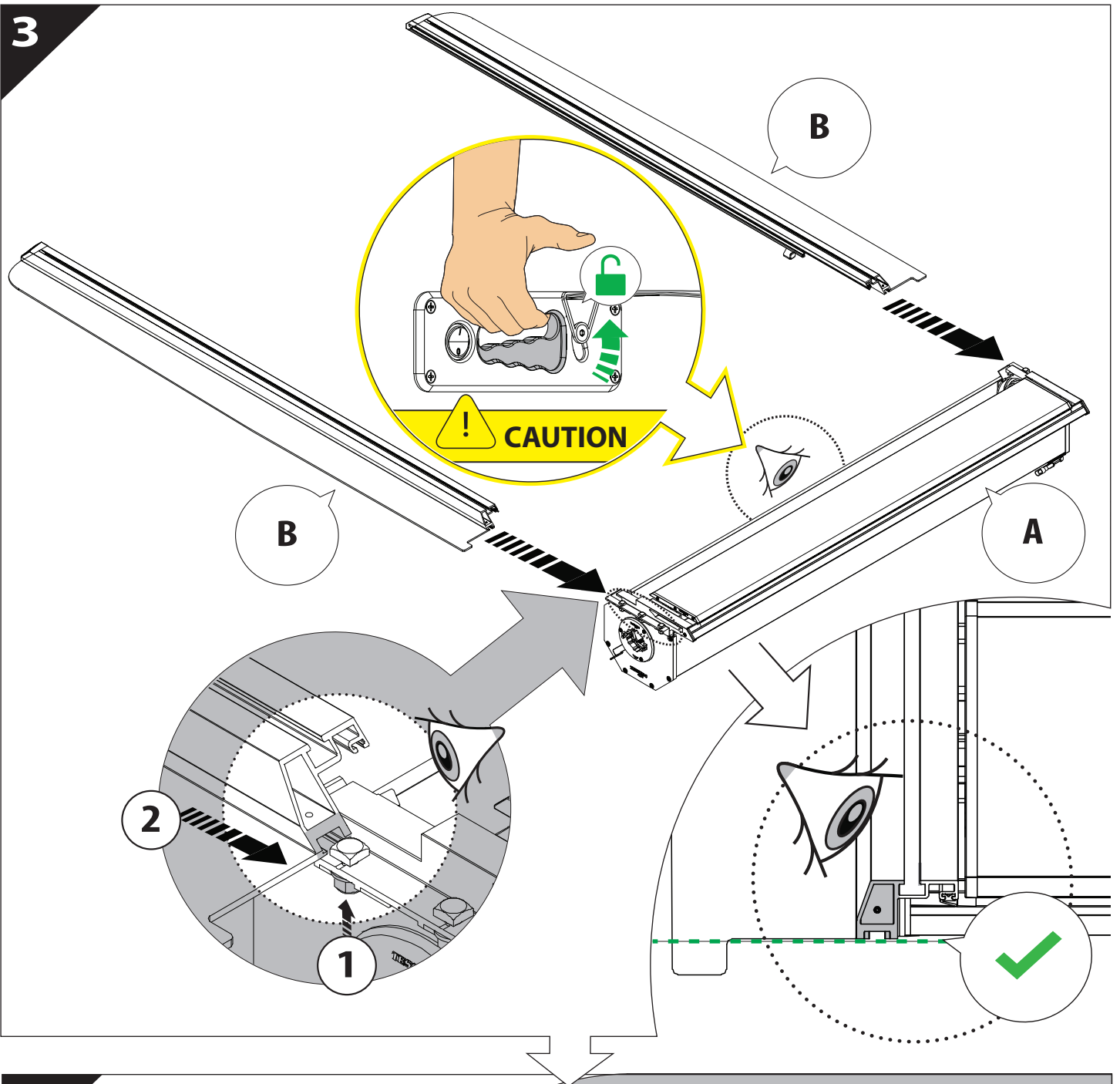
A

KITS

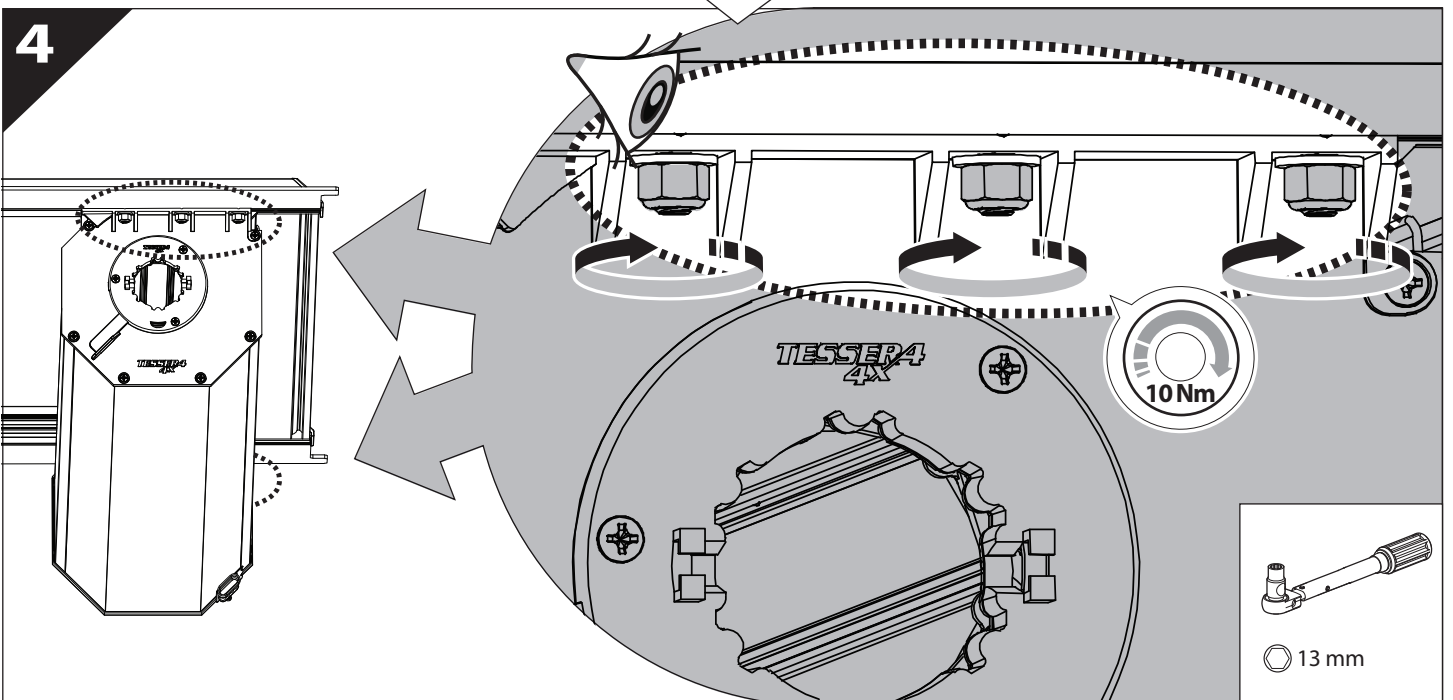
L

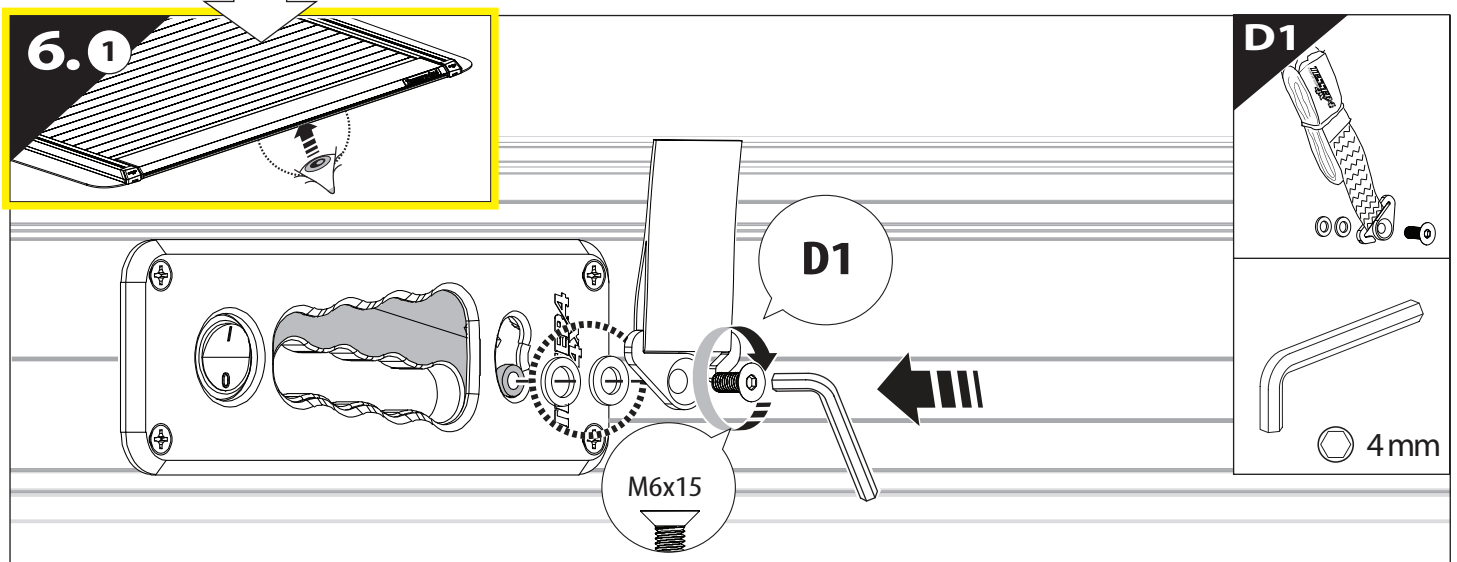
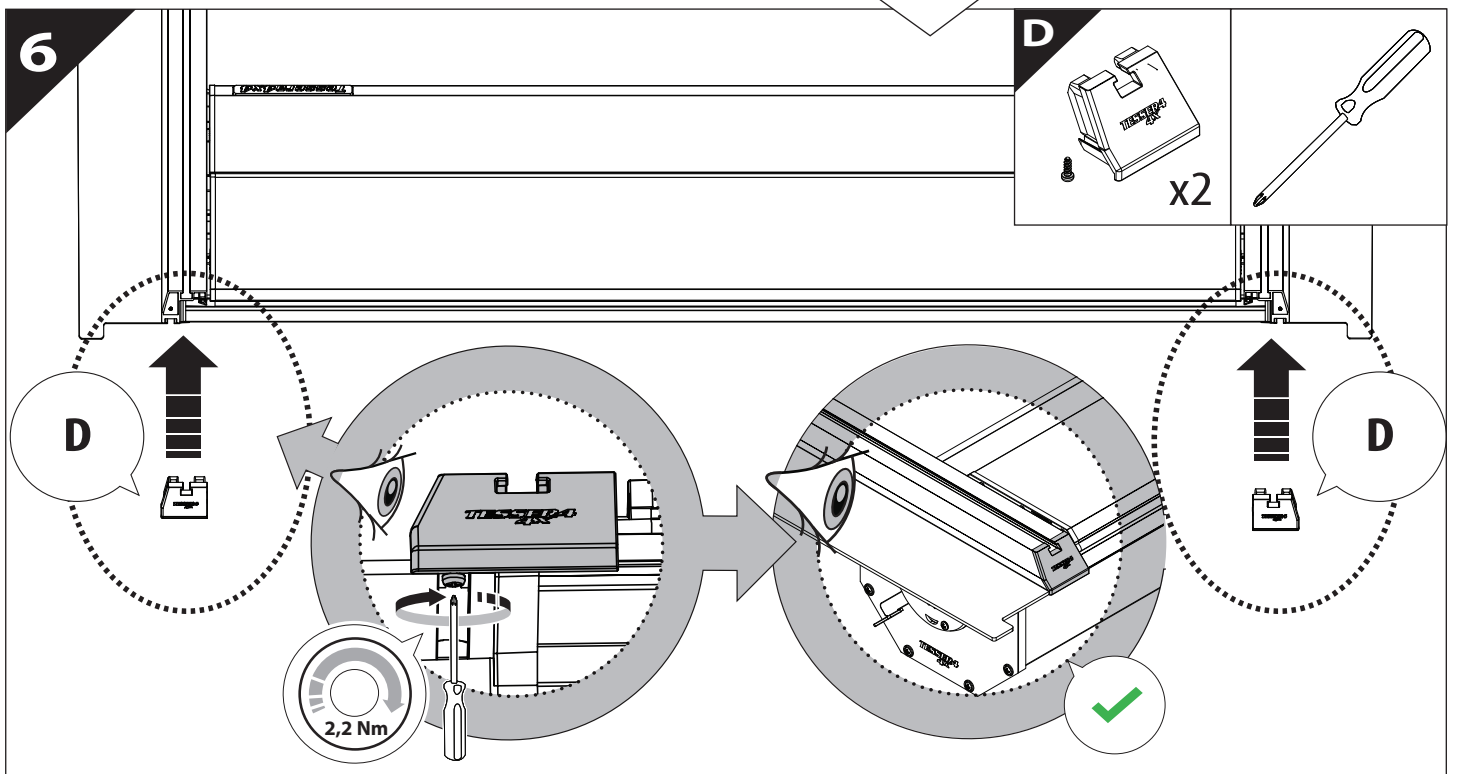
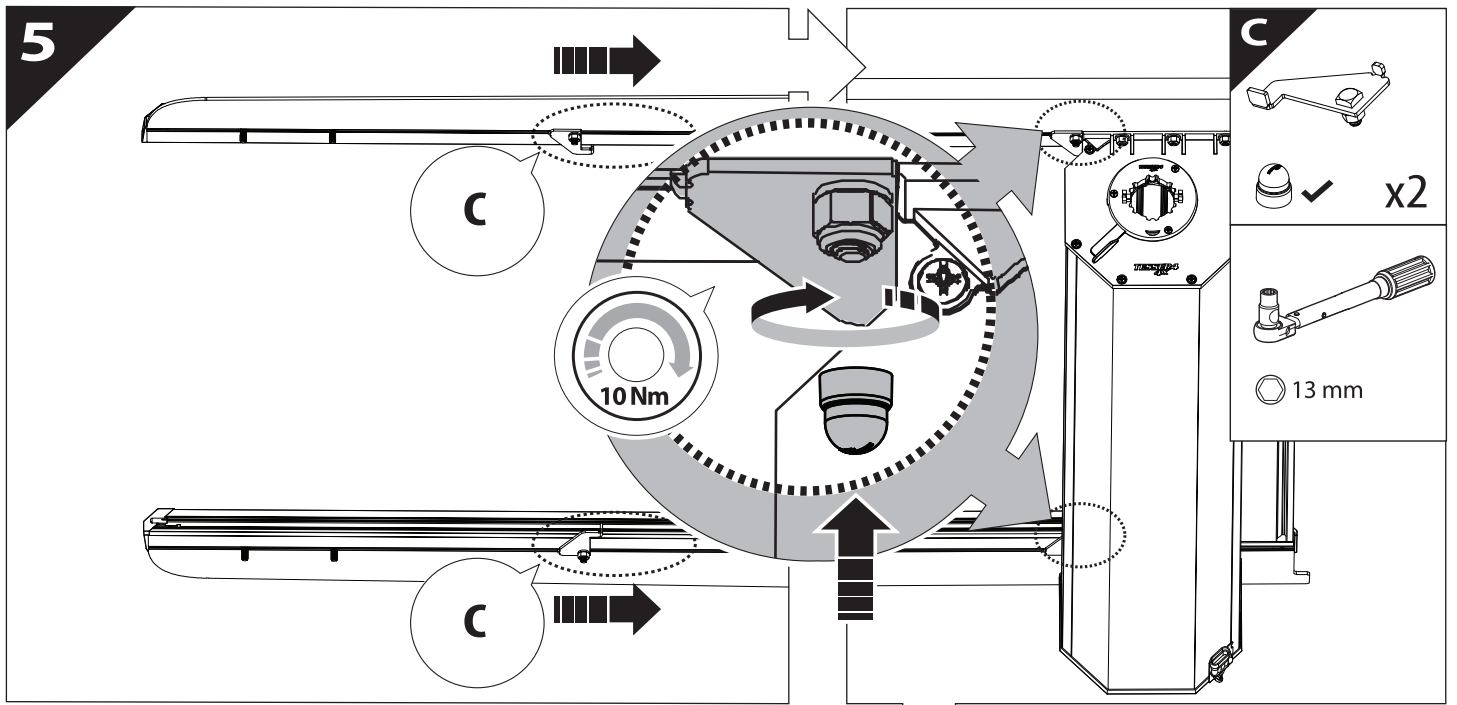


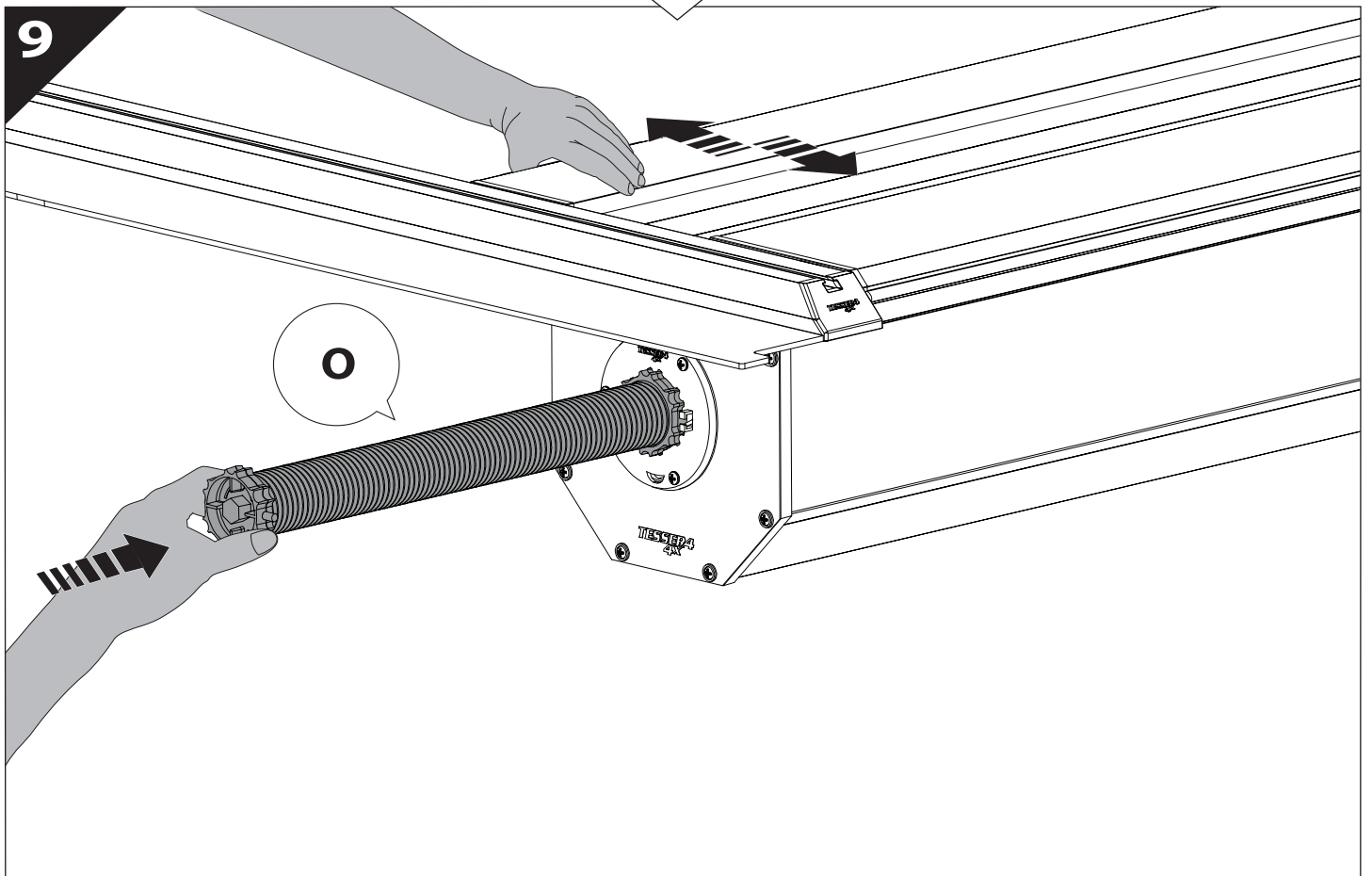
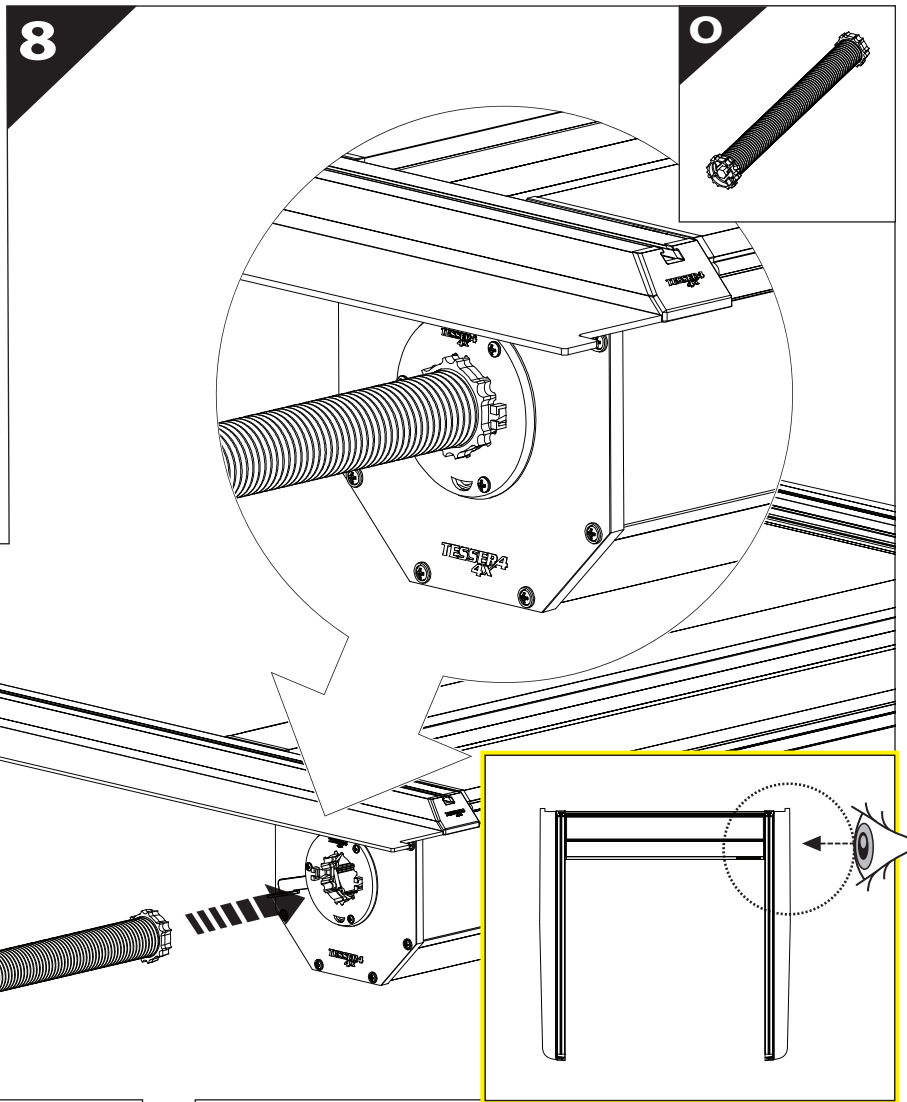
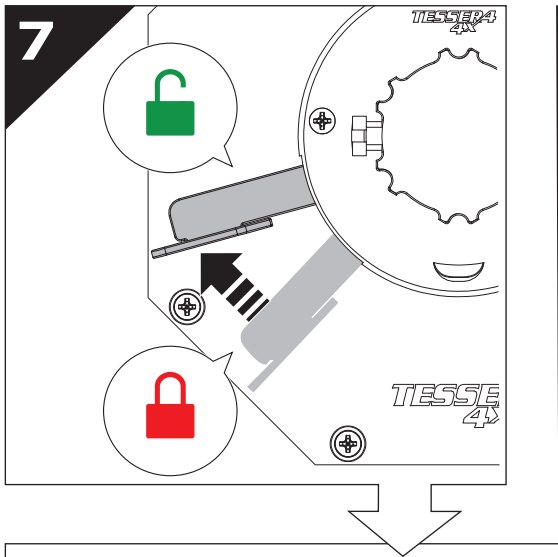
3

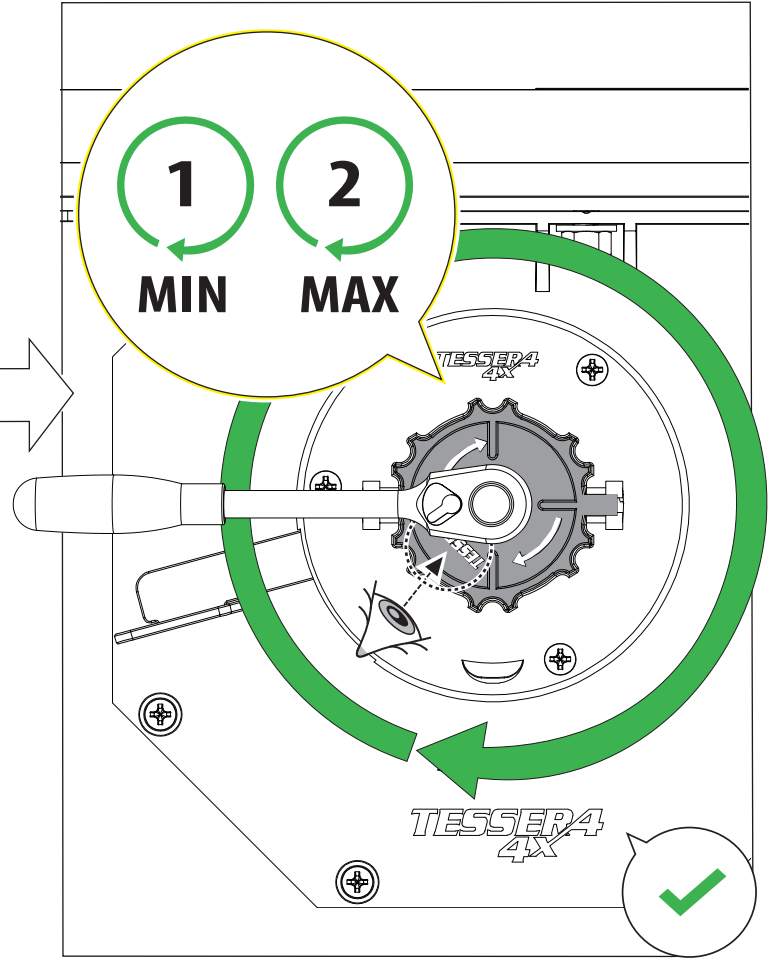
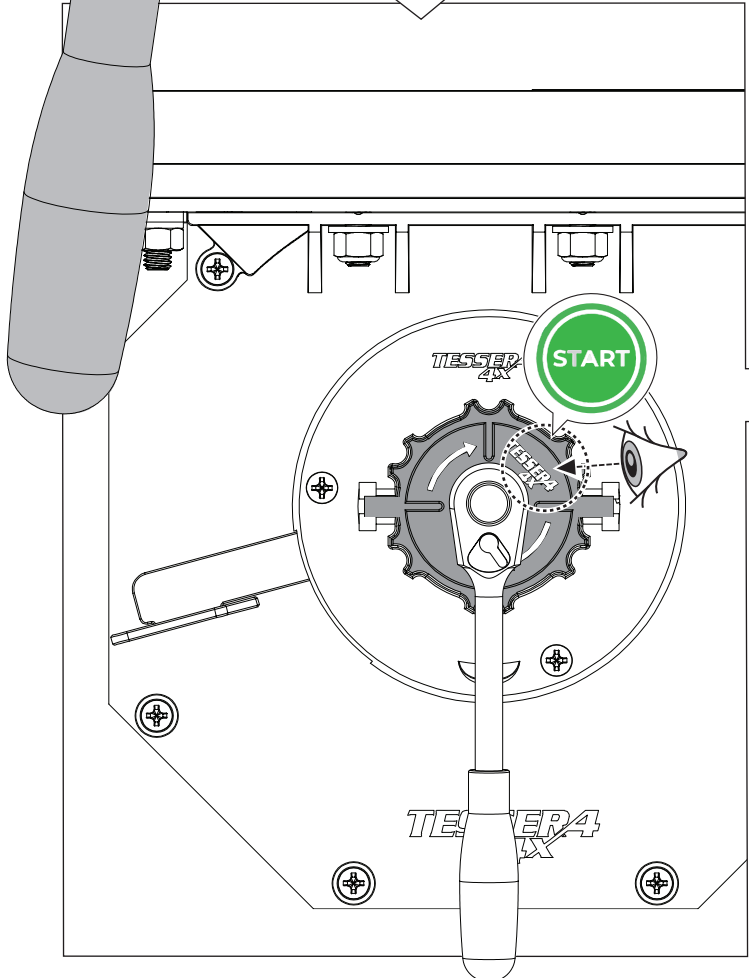
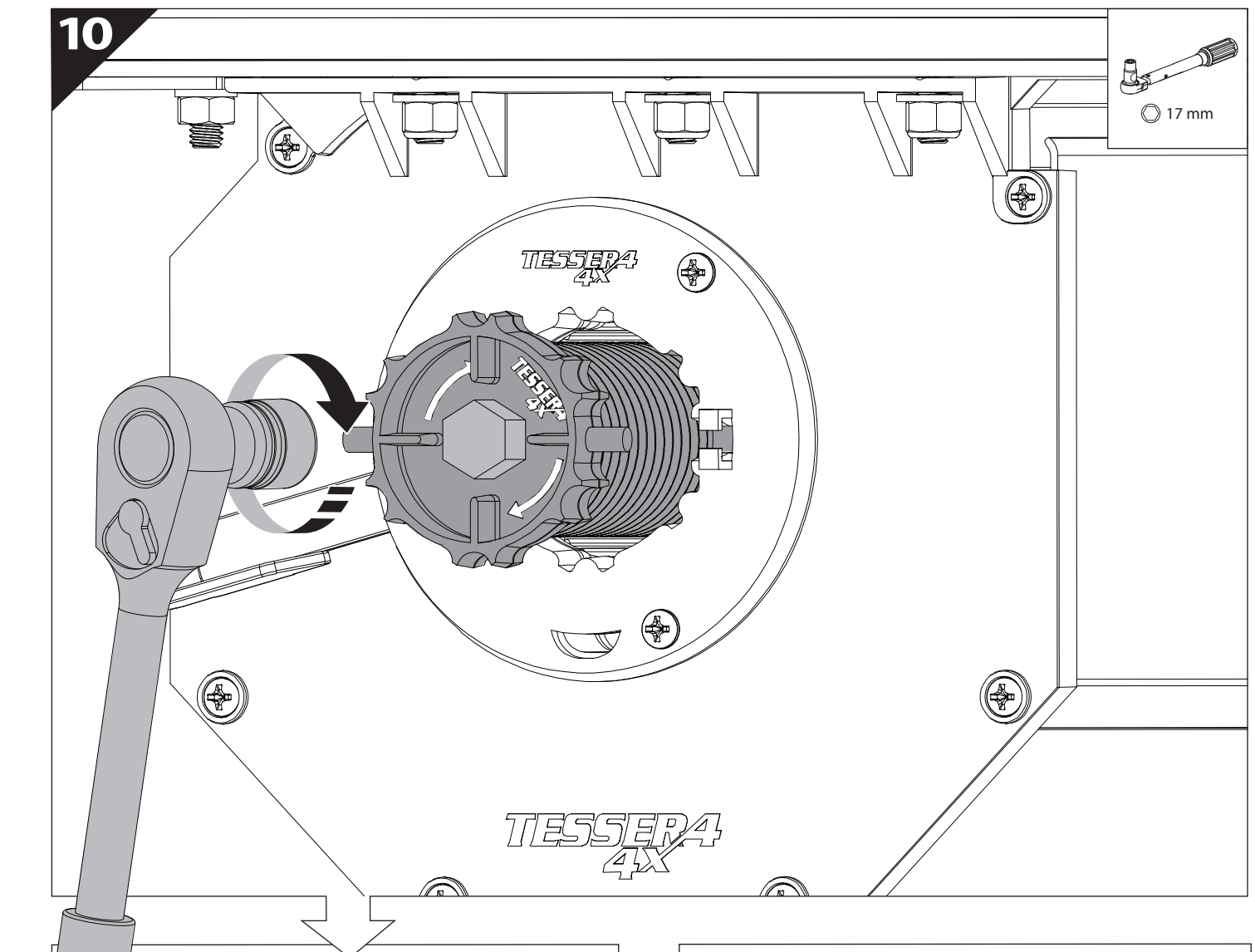
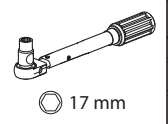


4

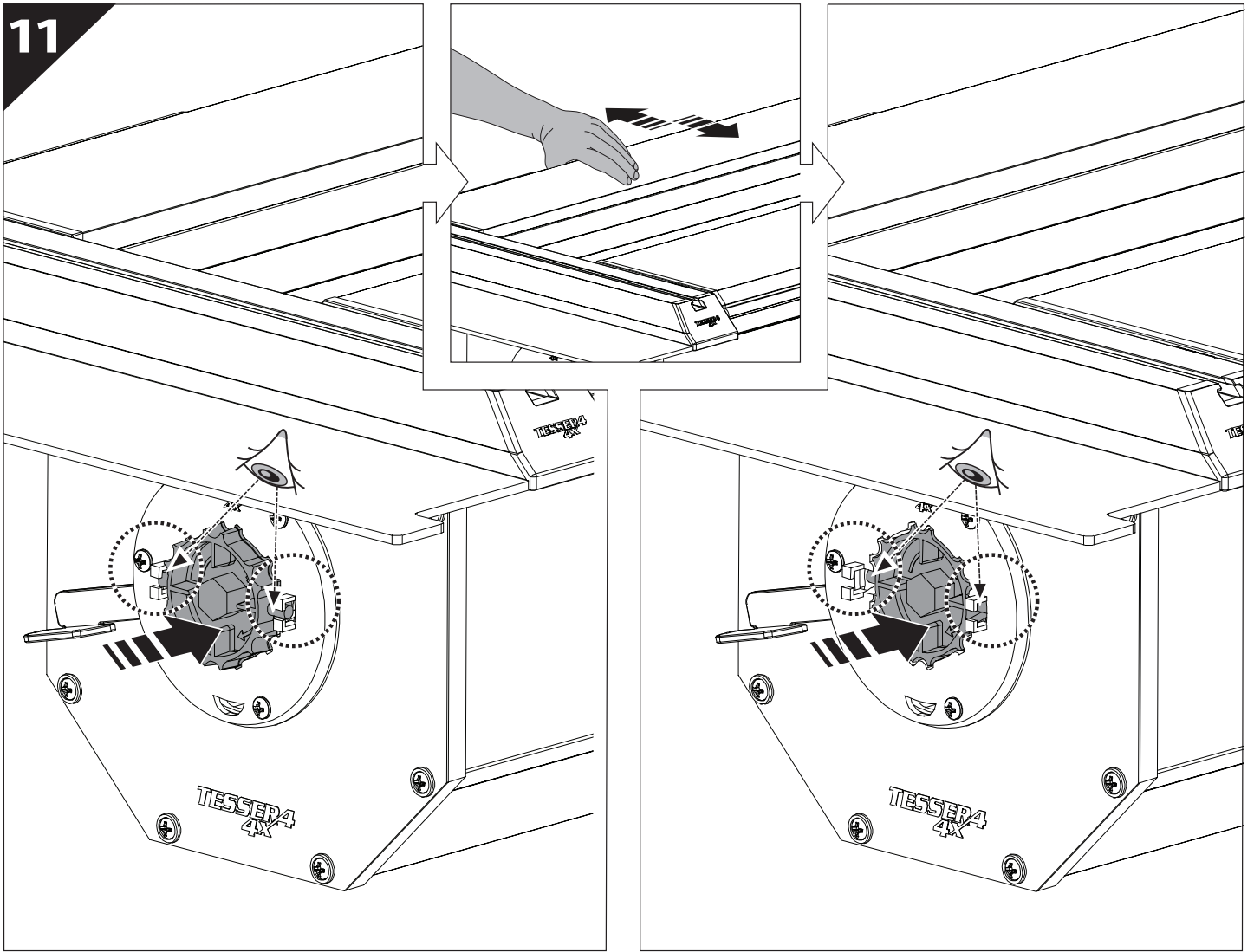




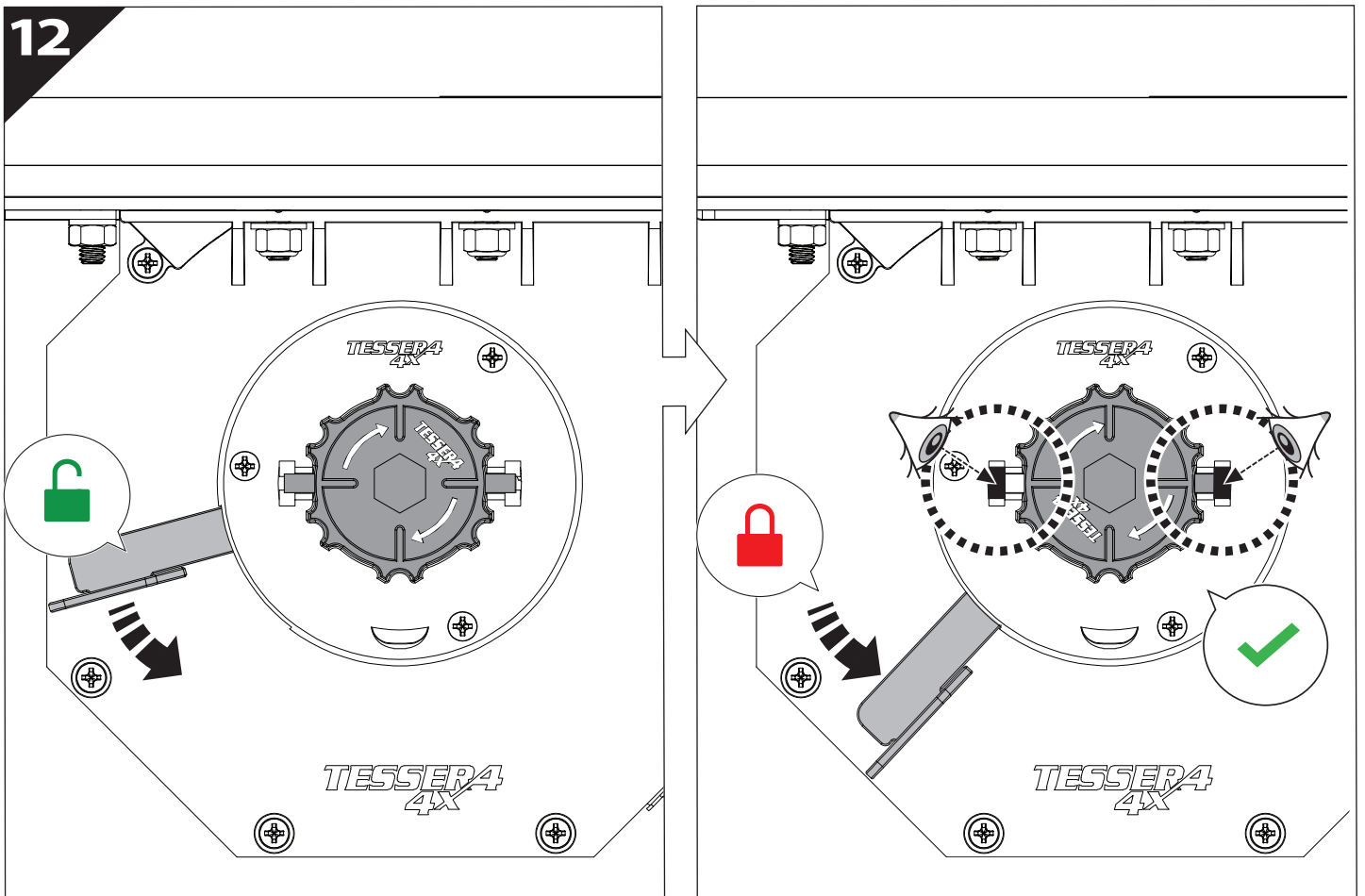




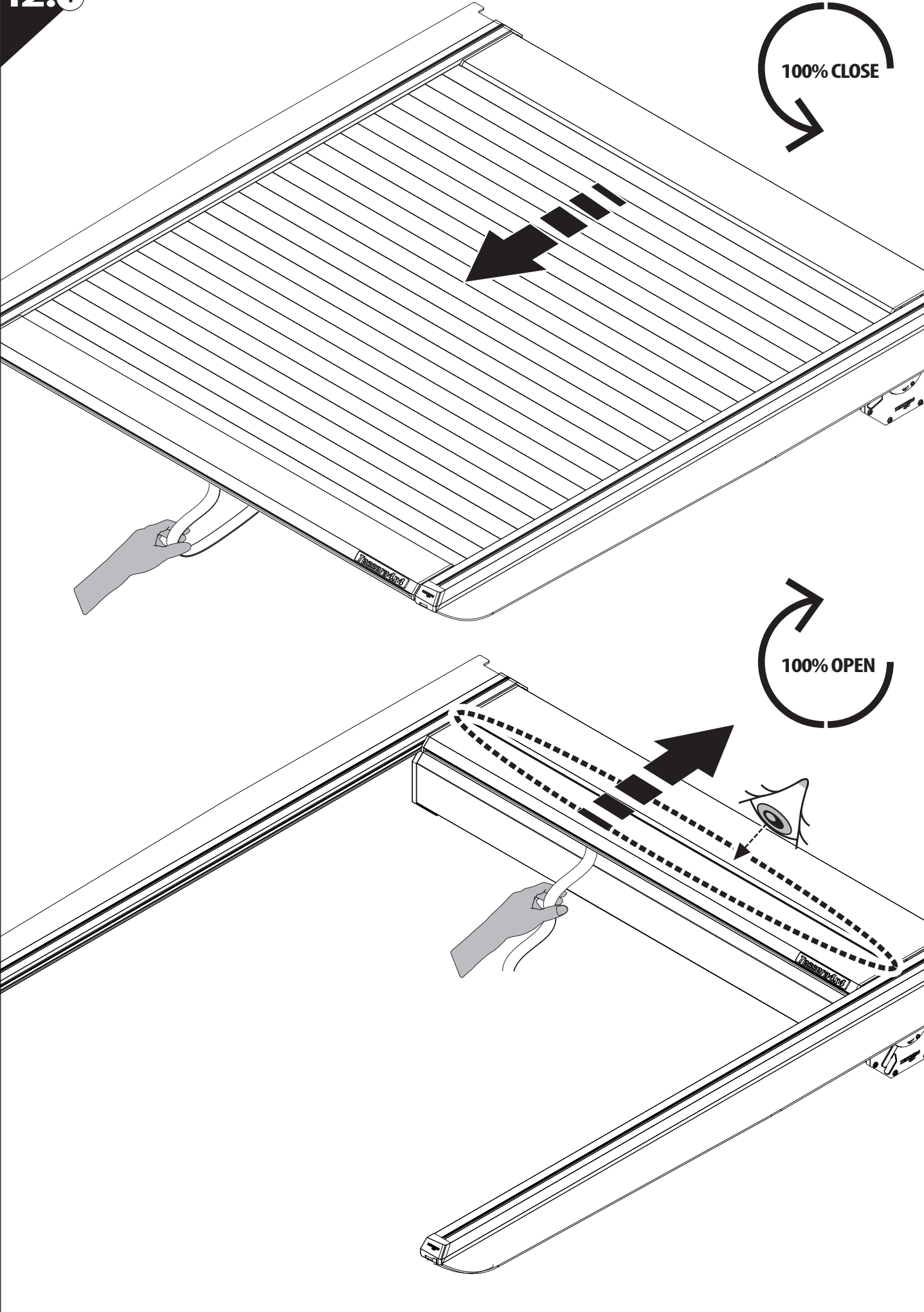
11



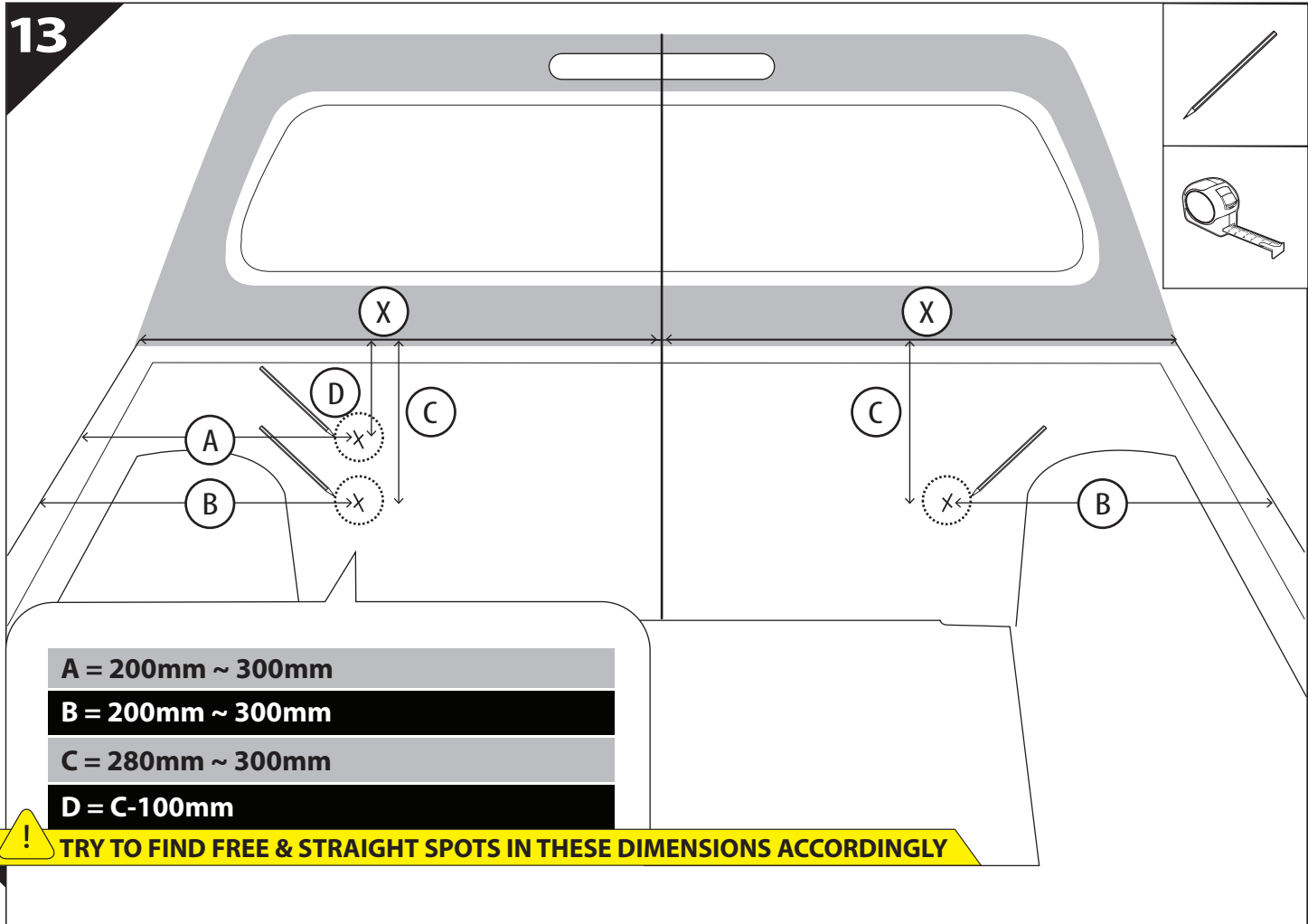
12



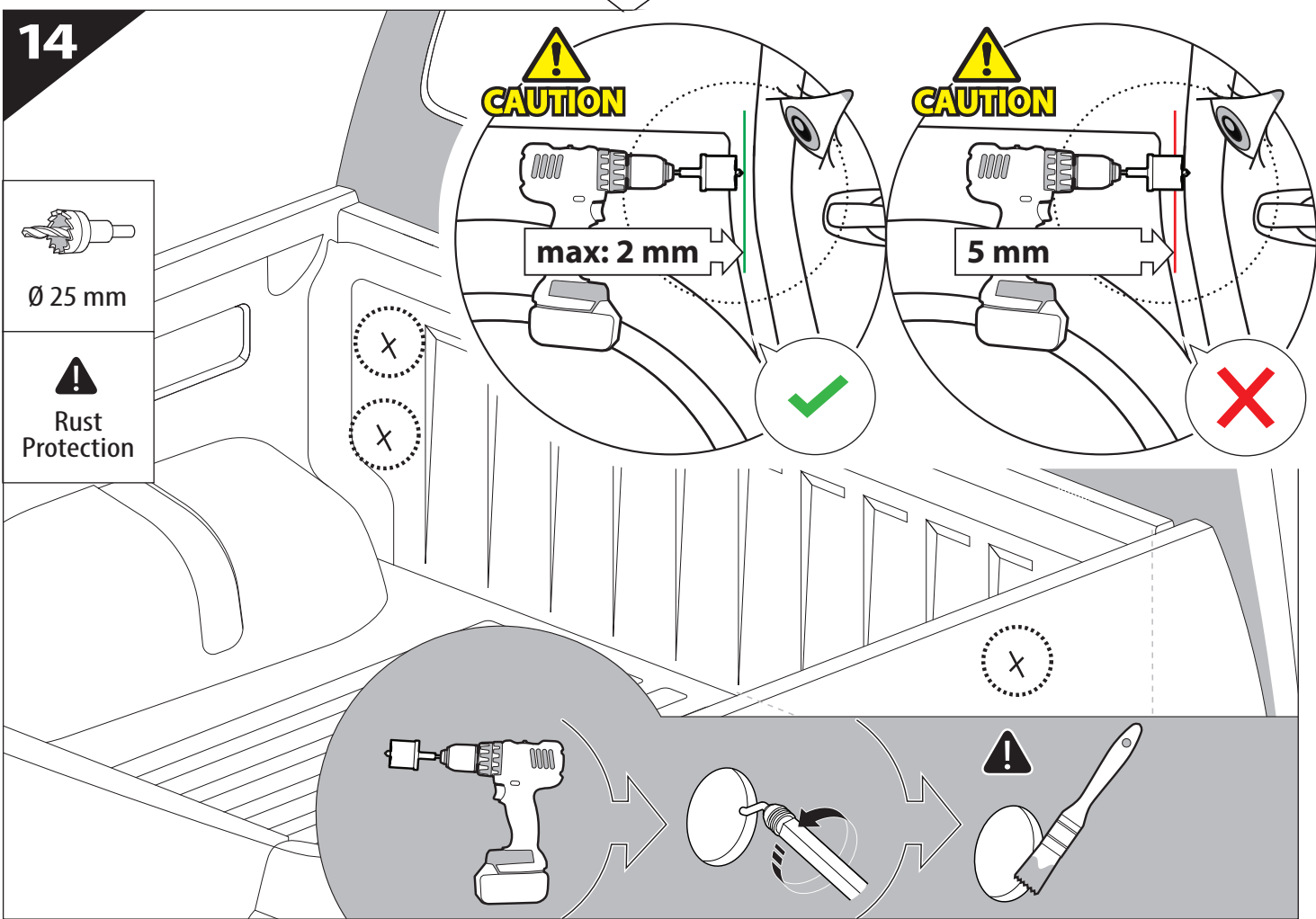
12.0



13

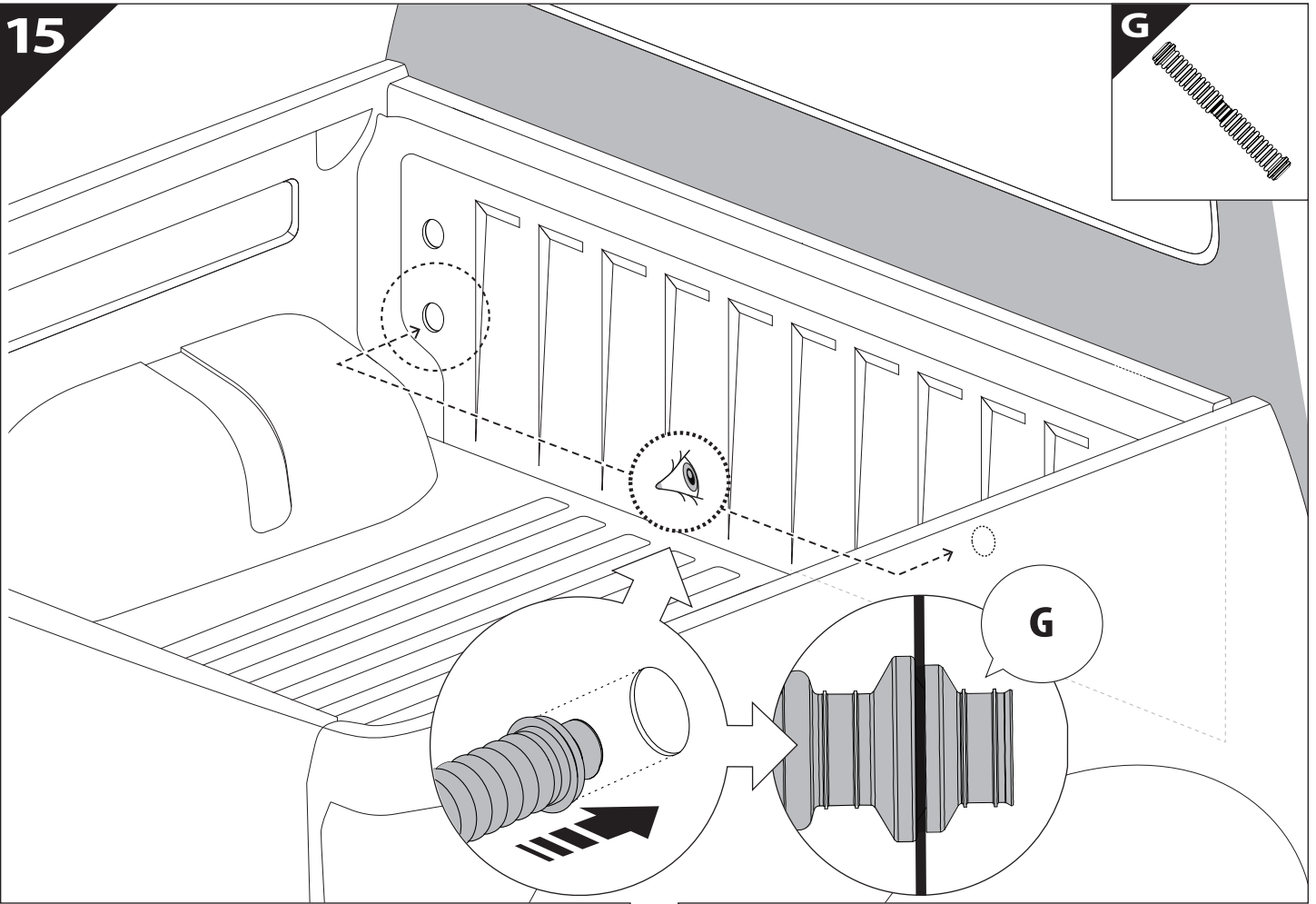


14



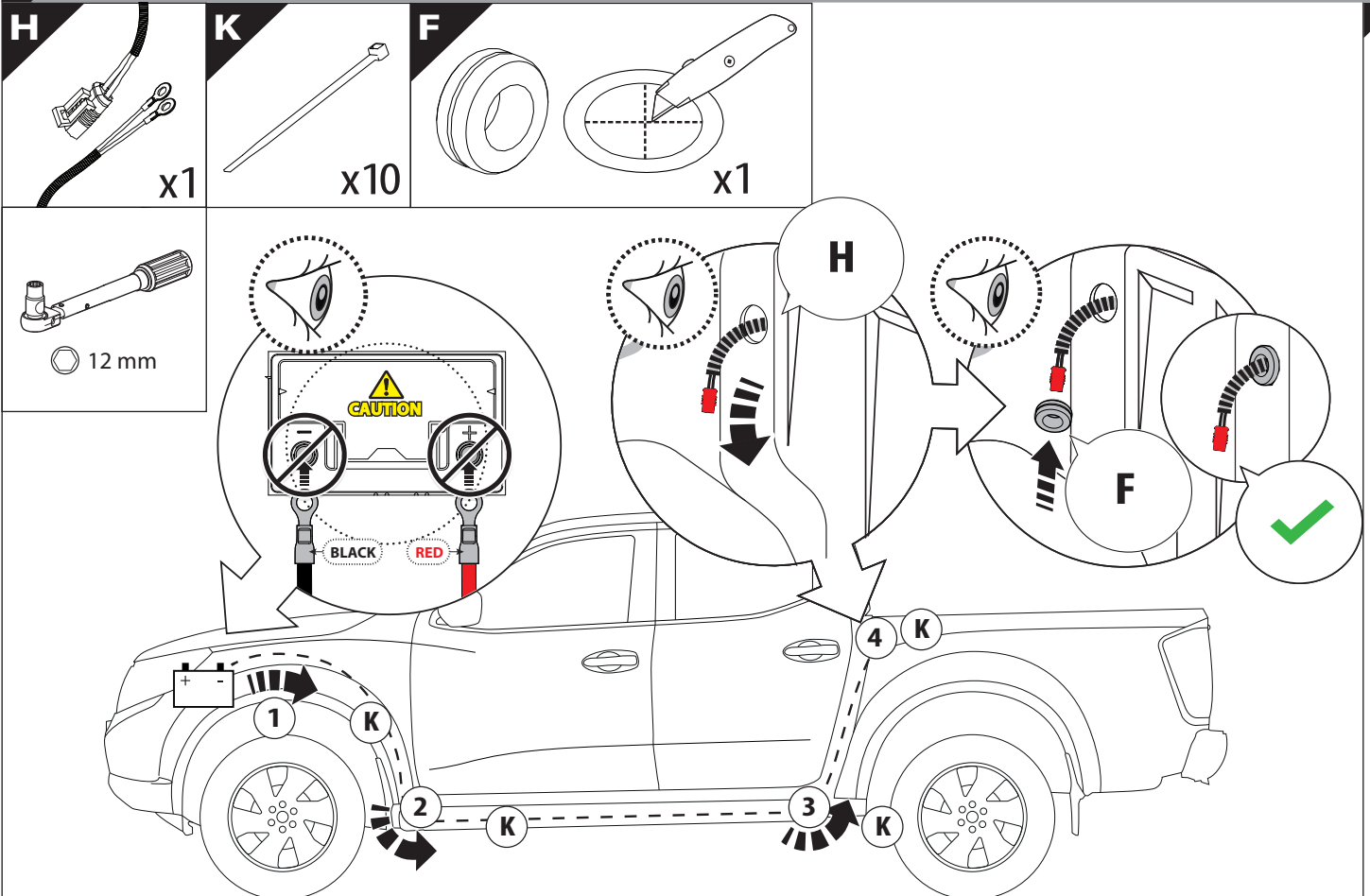
15

G



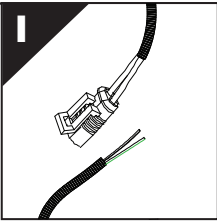
16

Only to be installed by authorized personnel

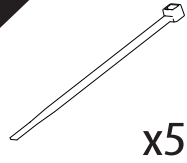


17

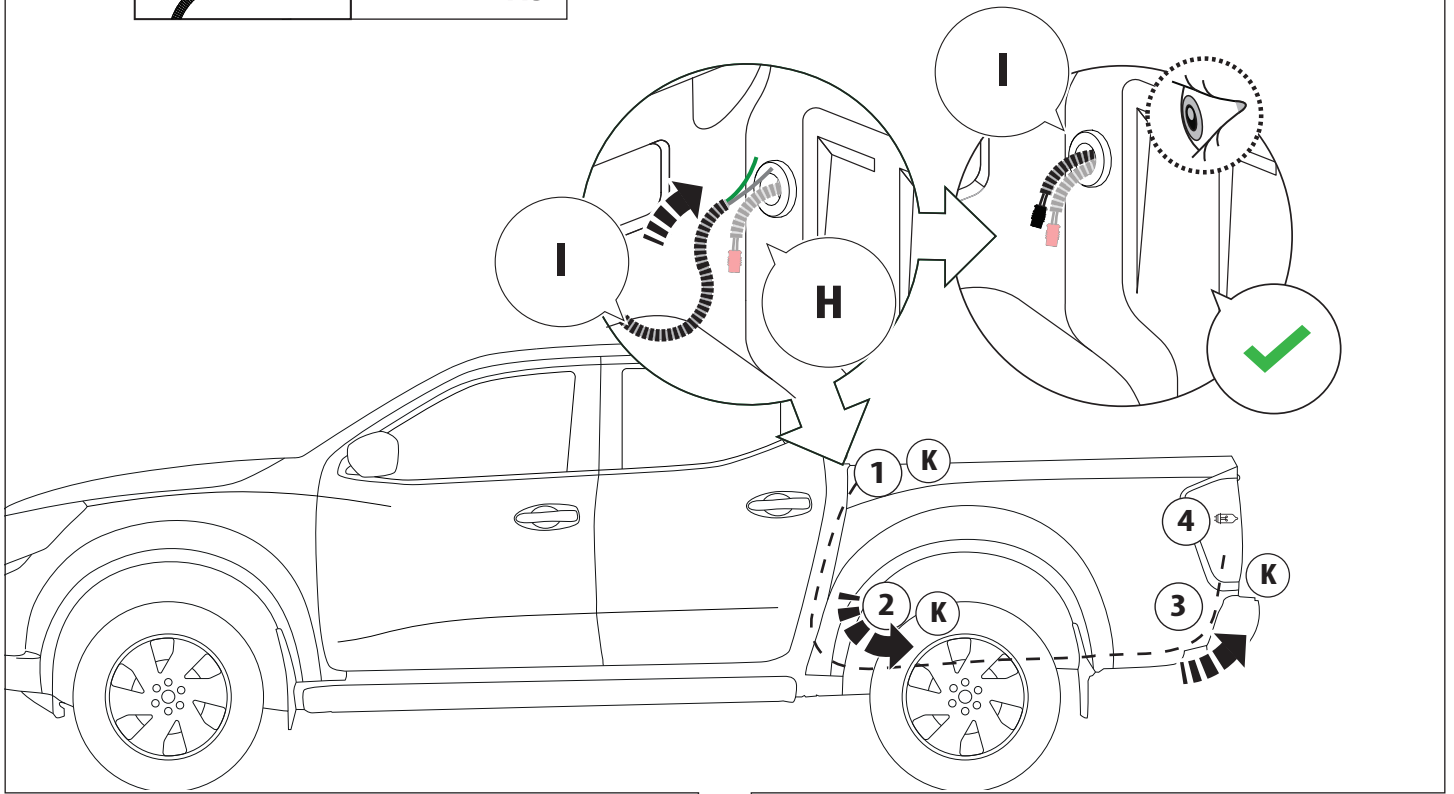
I



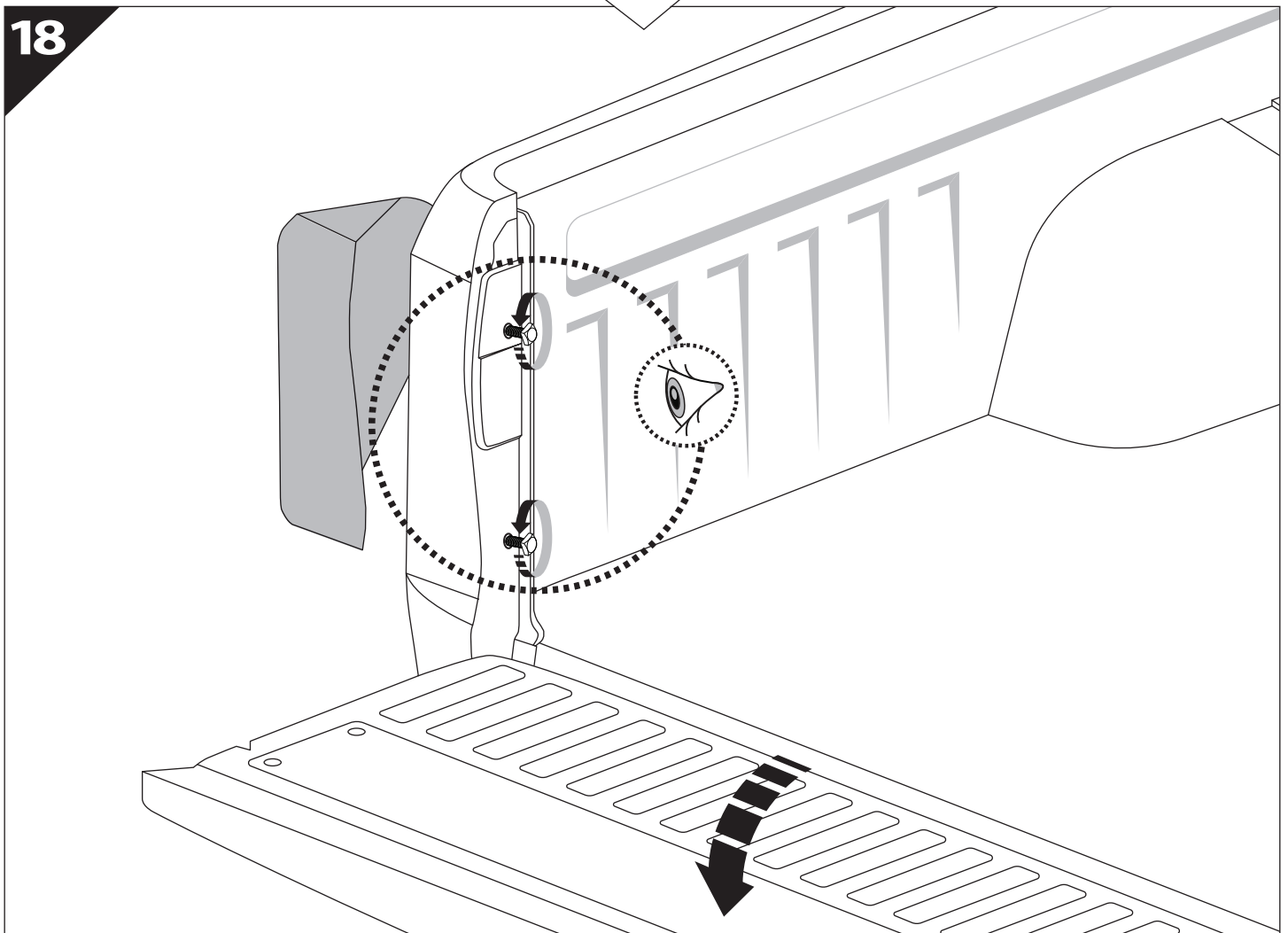
K



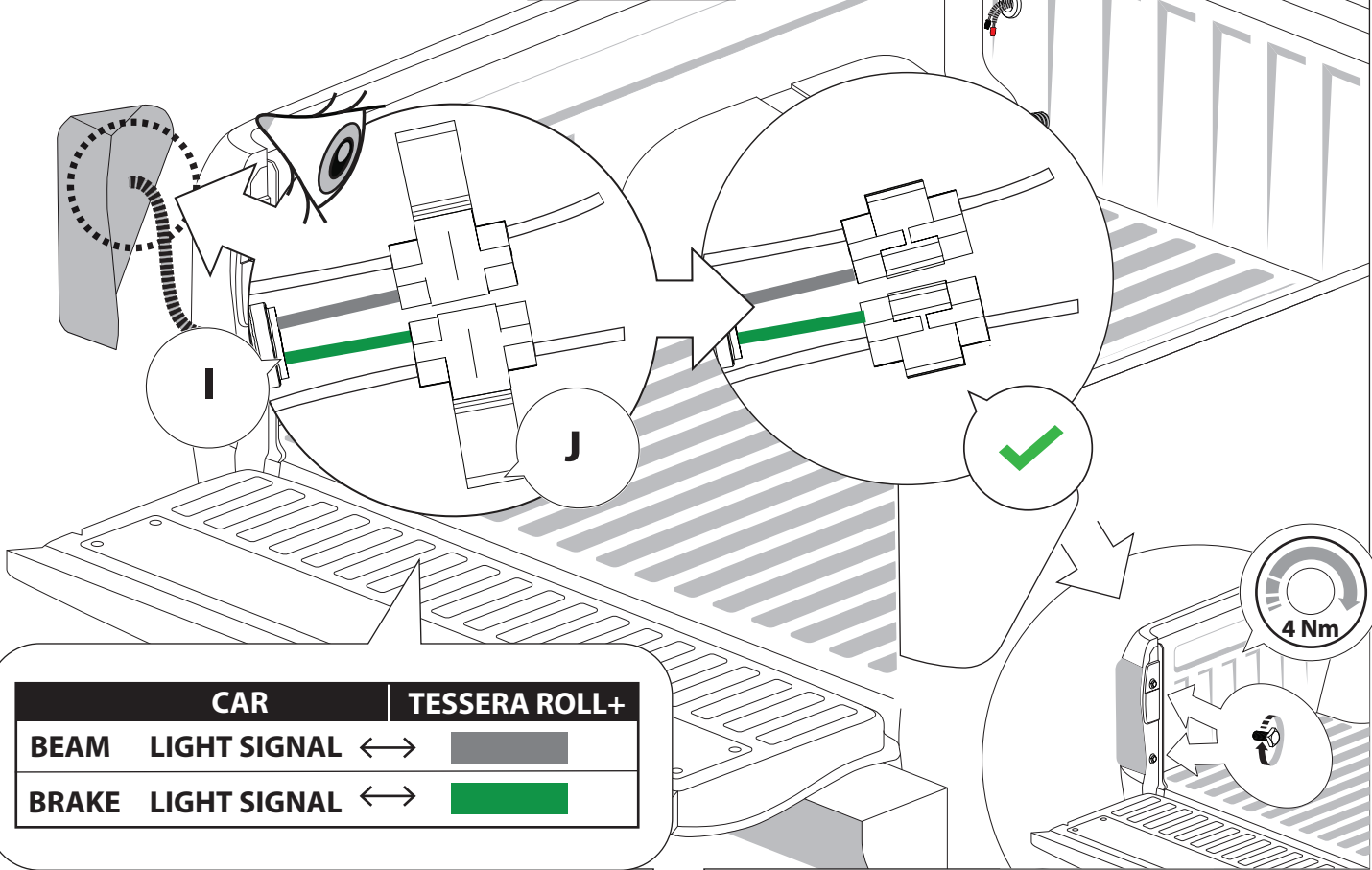
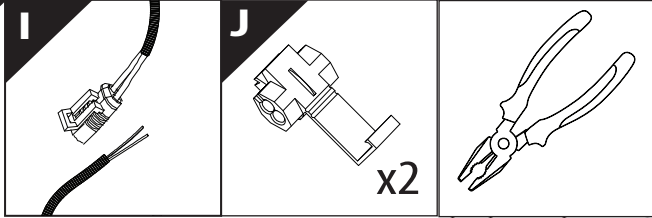
x5



18

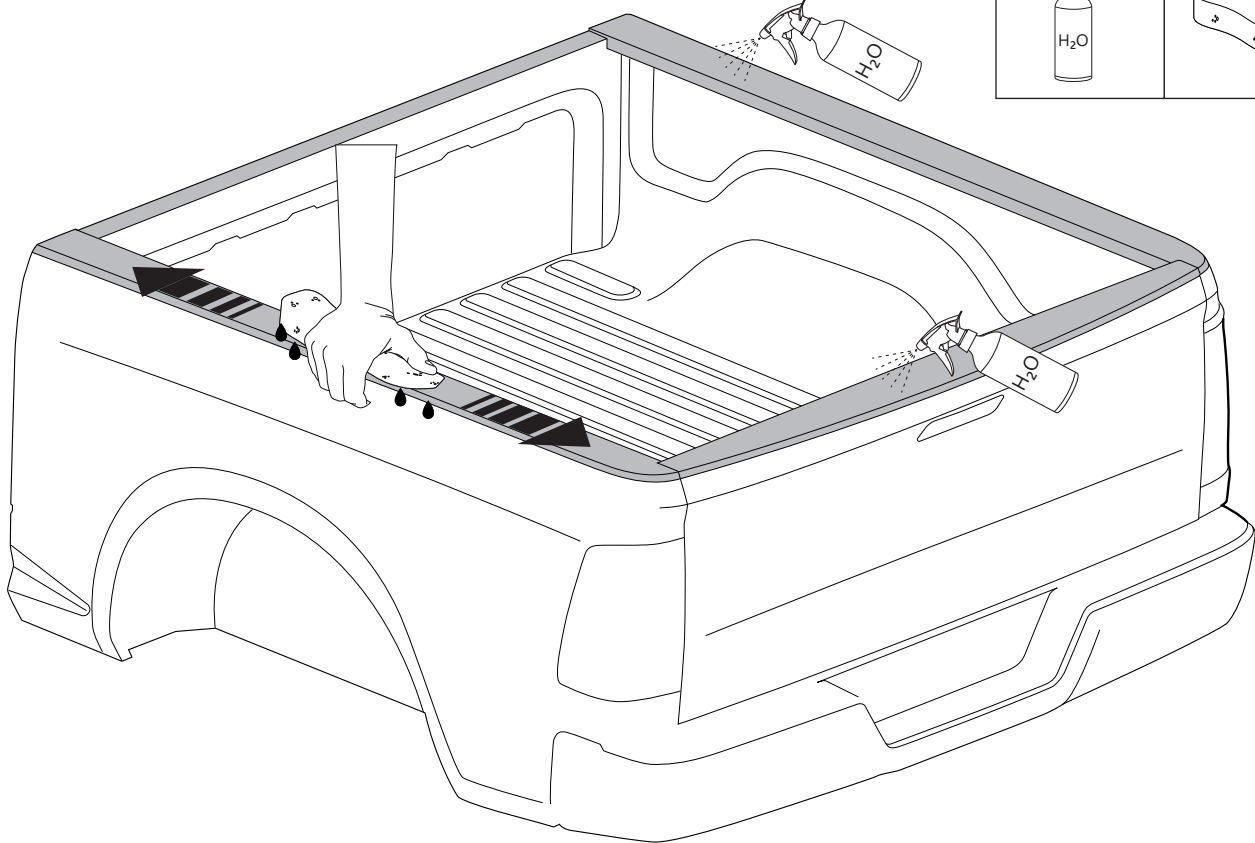
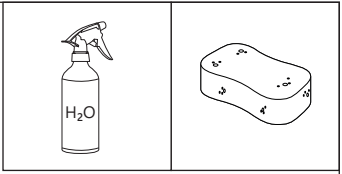


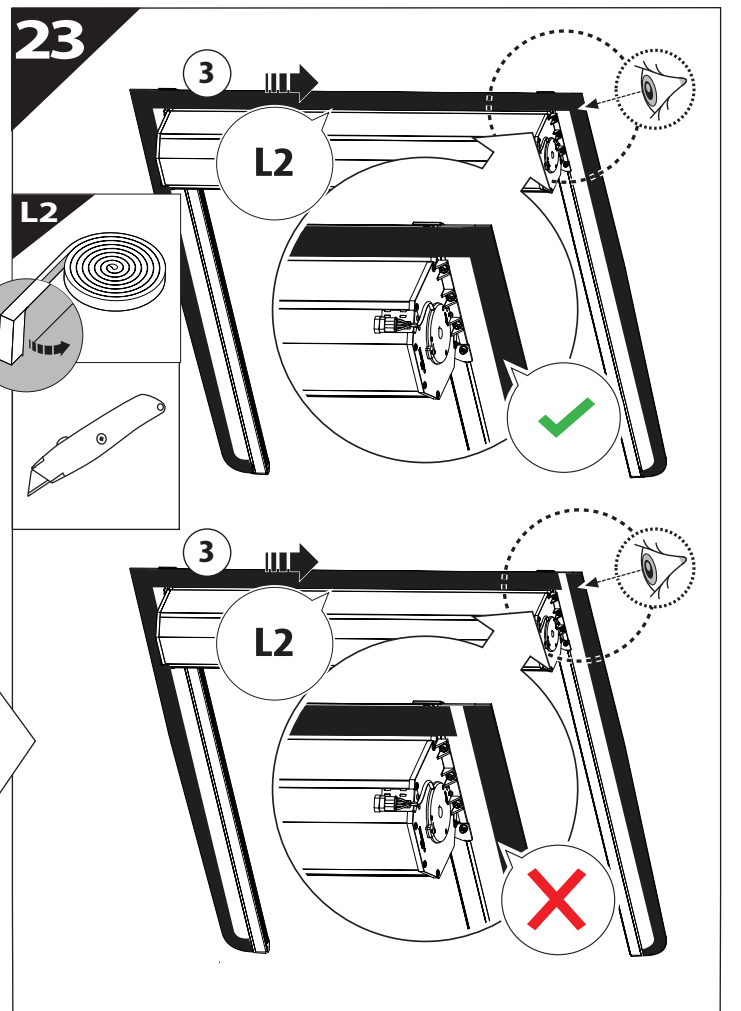
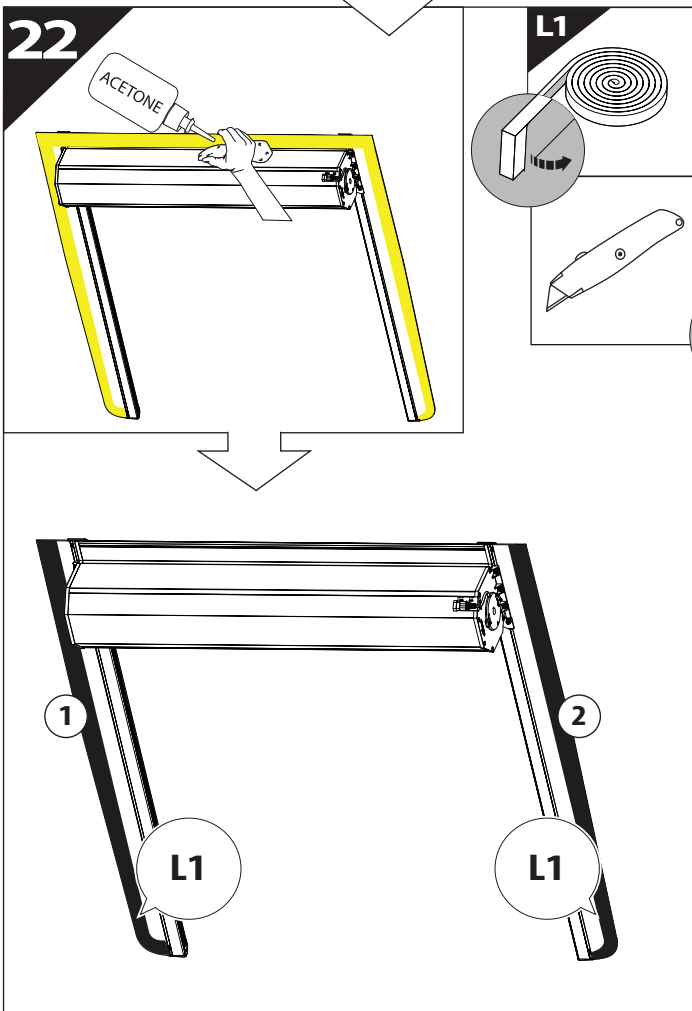
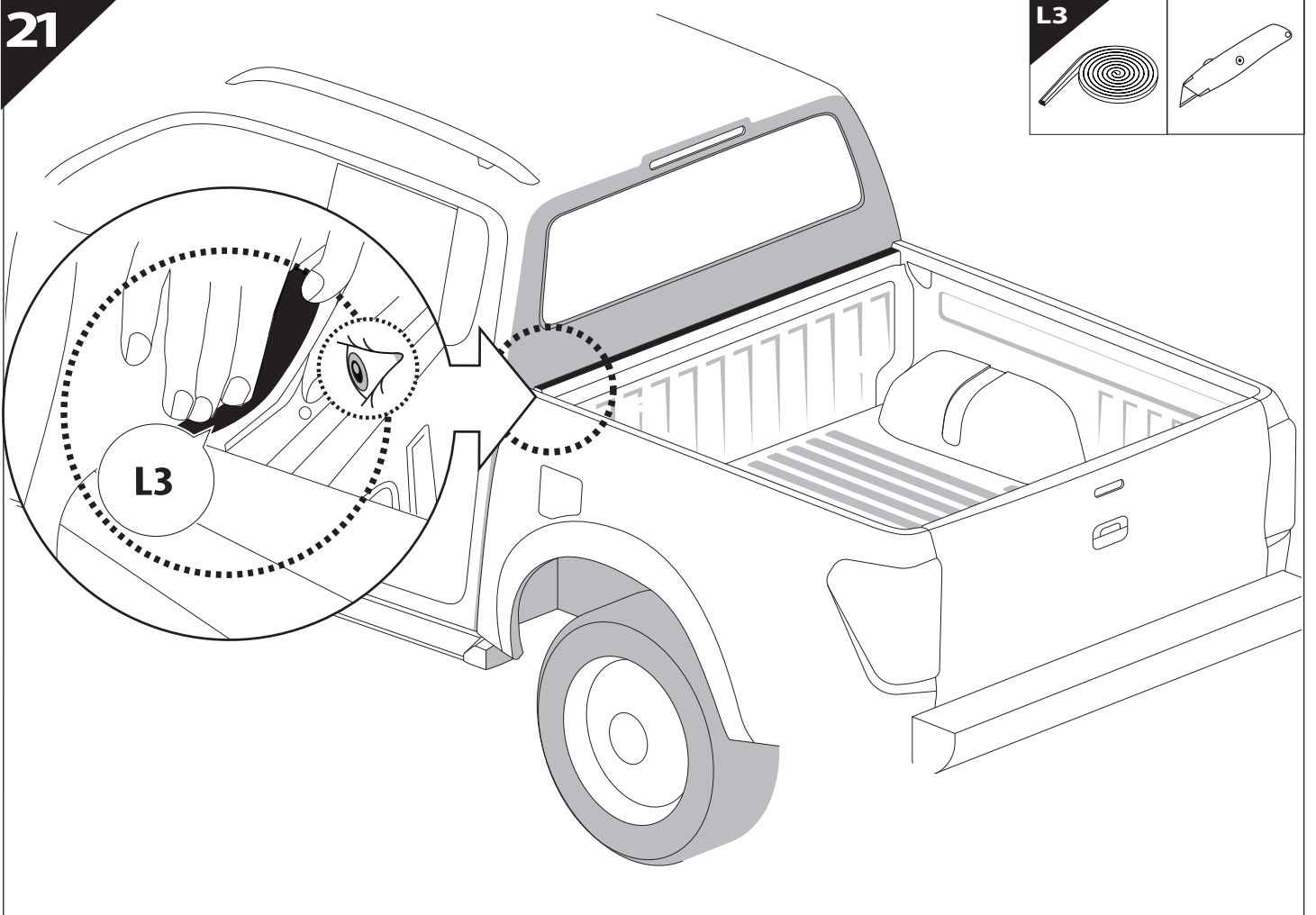
19

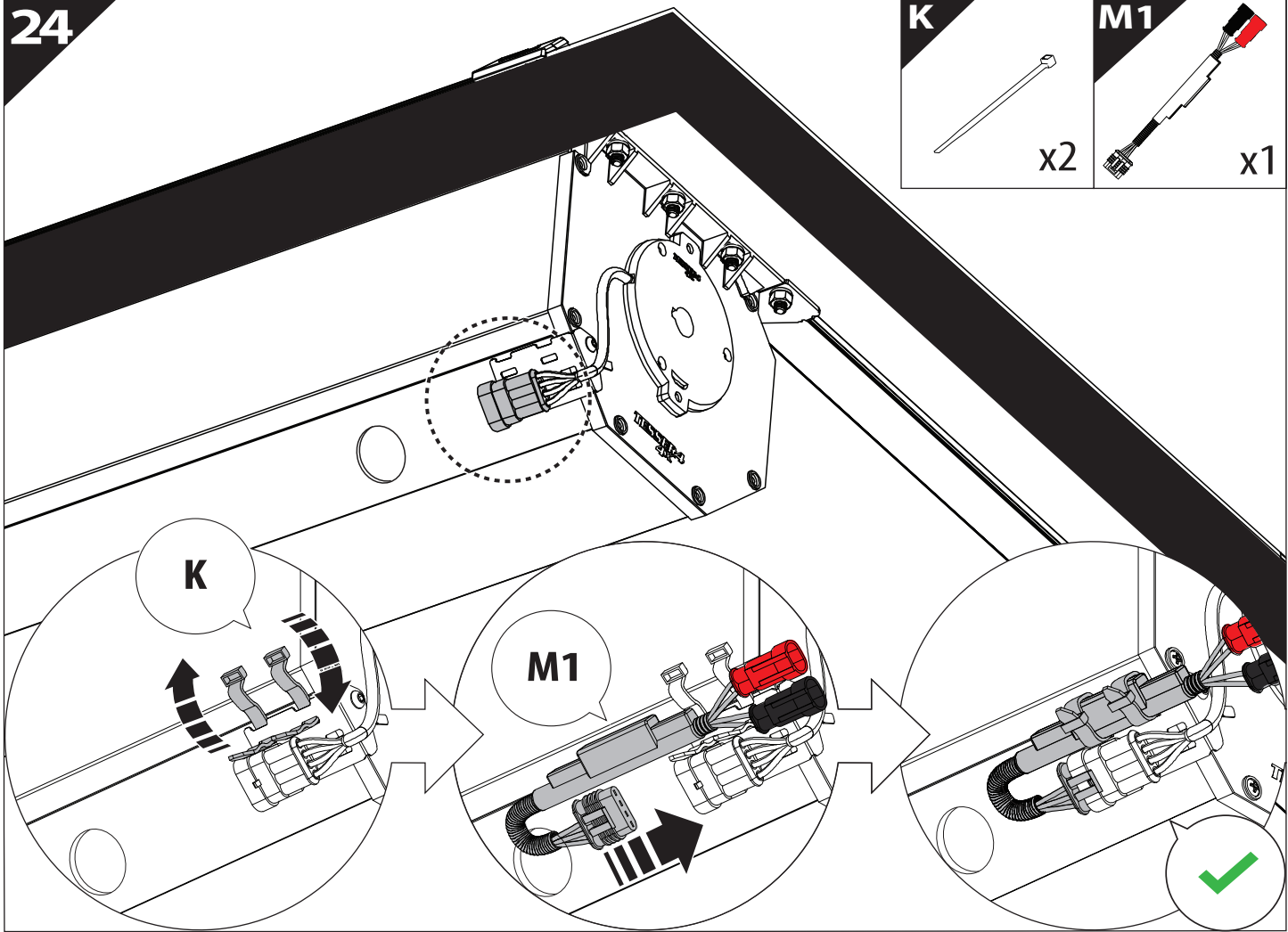
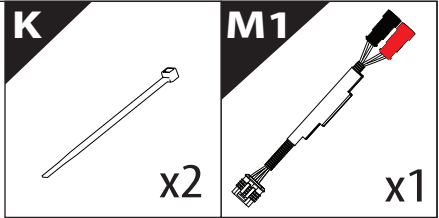


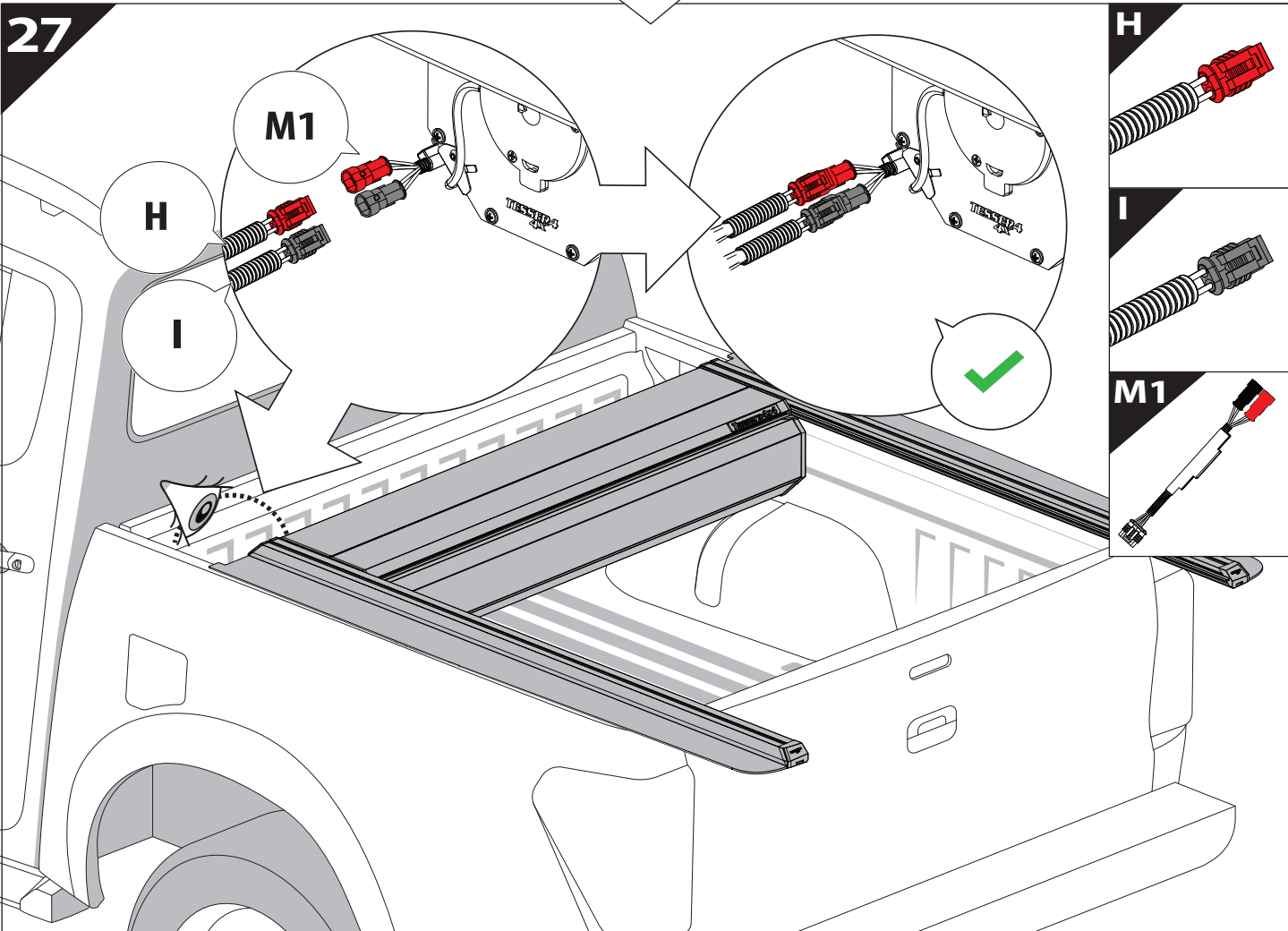
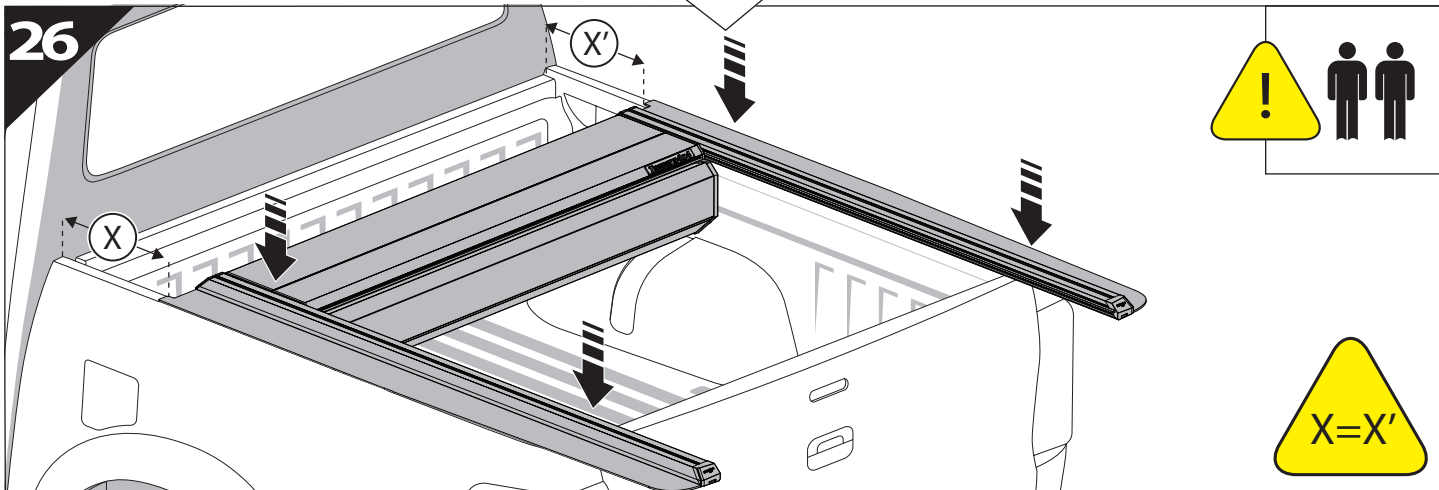
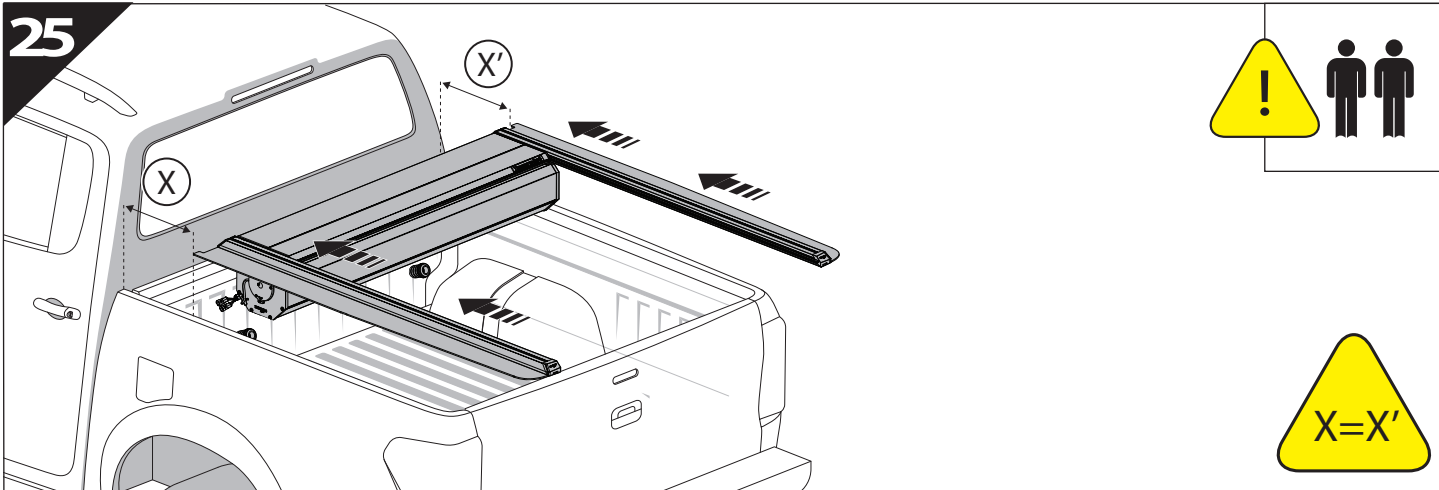
	CAR	TESSERA ROLL+
BEAM	LIGHT SIGNAL ↔	
BRAKE	LIGHT SIGNAL ↔	

20



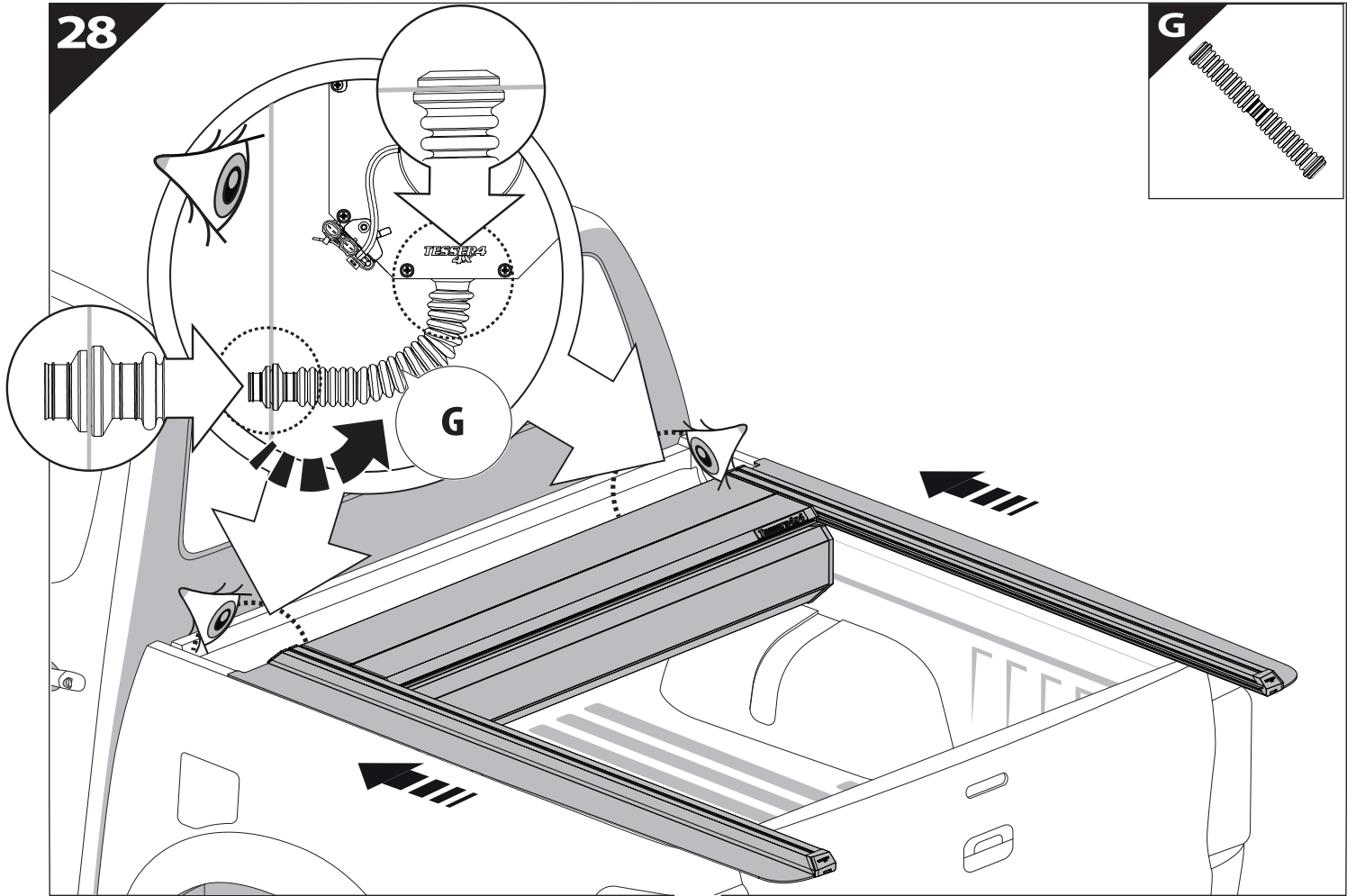






28

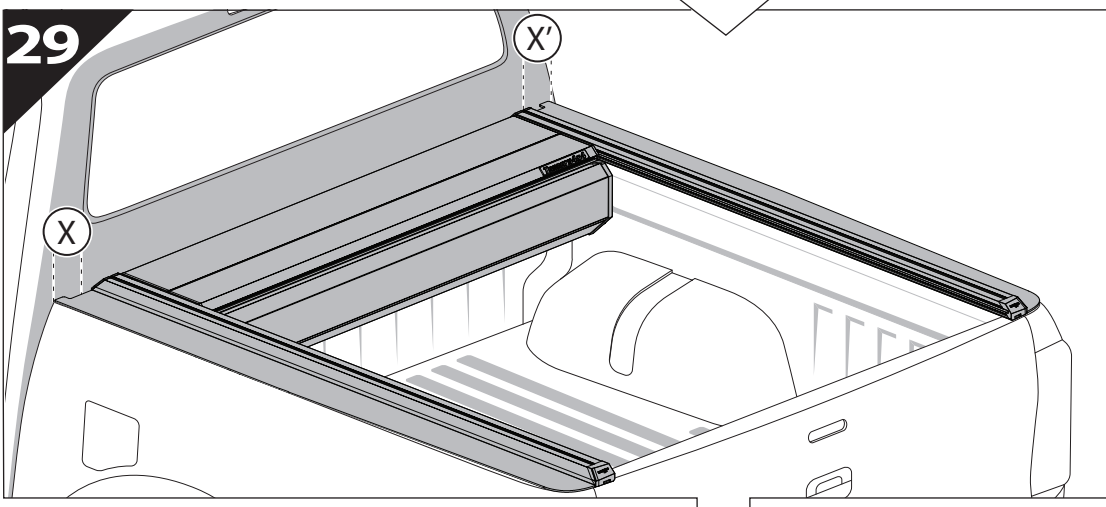
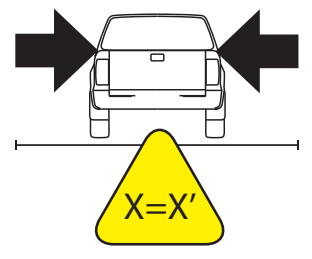
G



29

X'

X



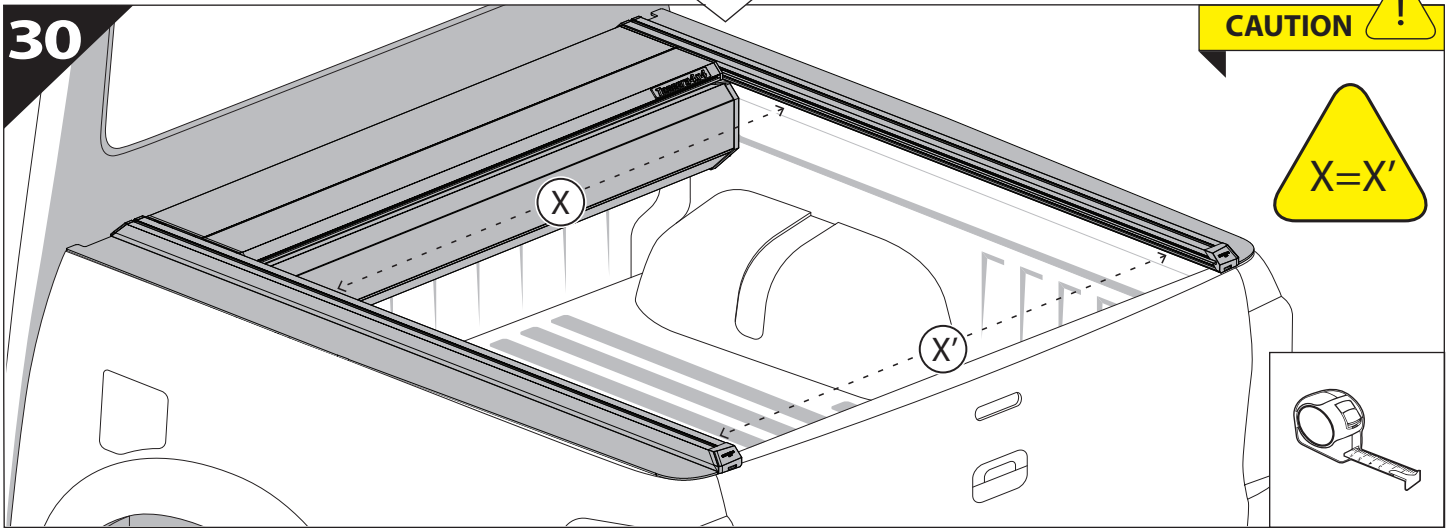
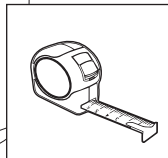
30

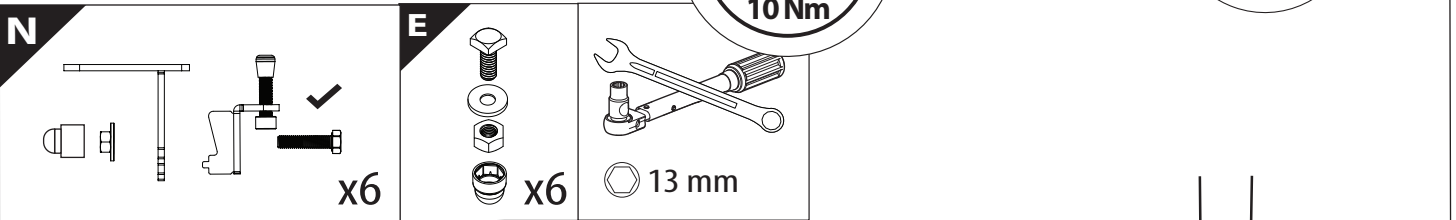
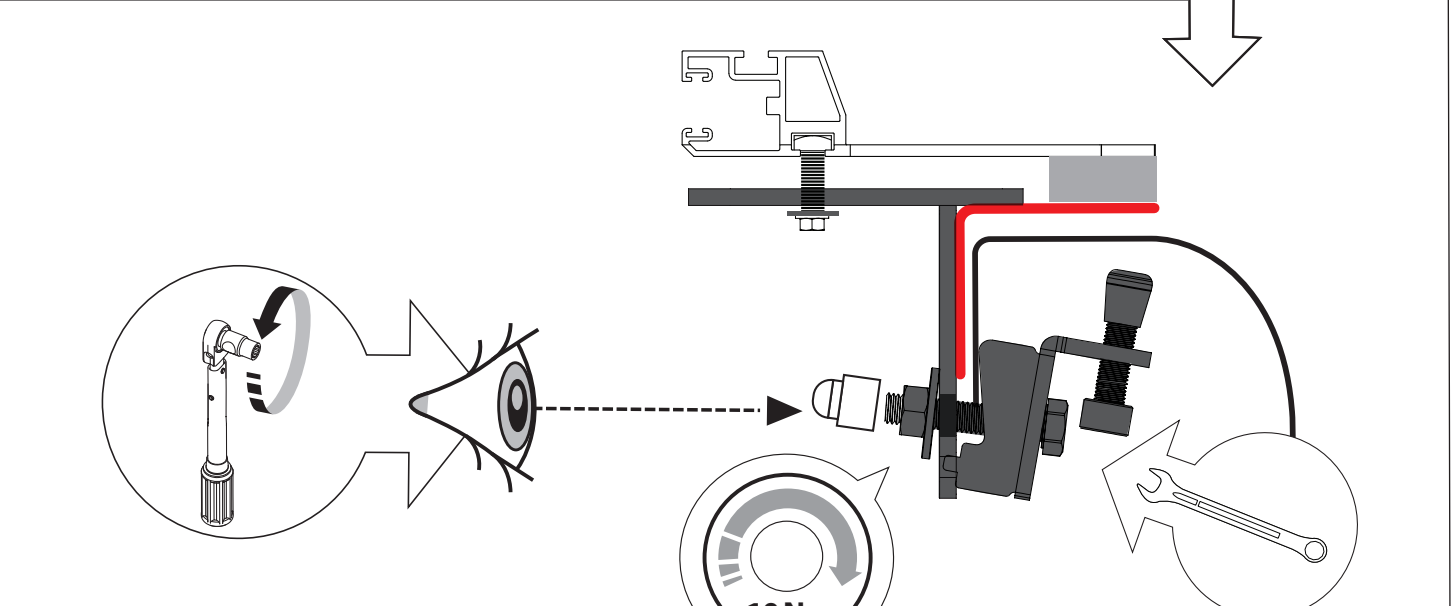
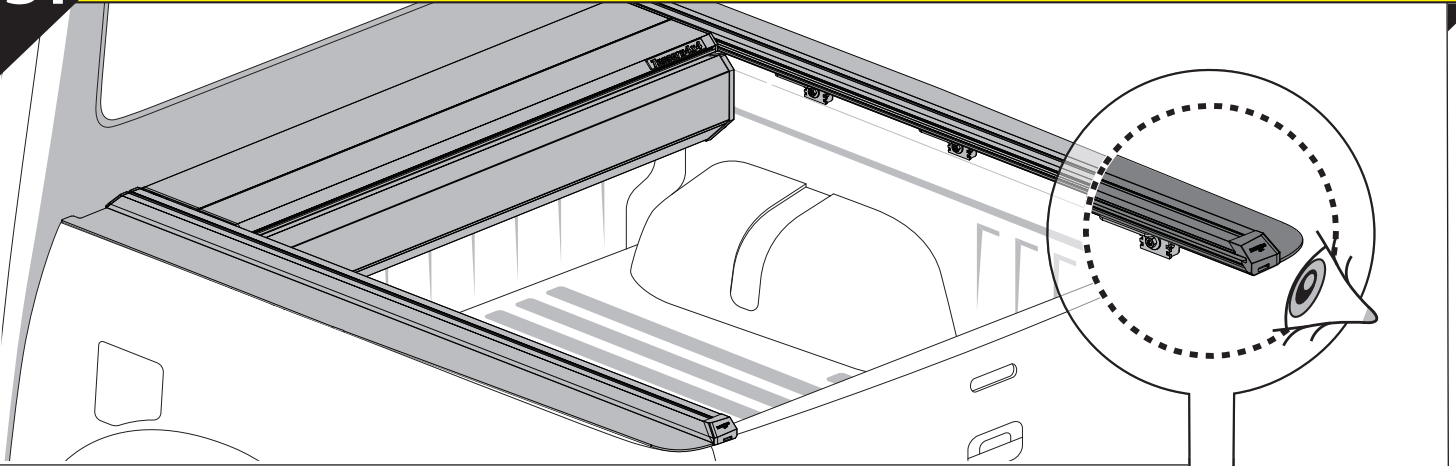
CAUTION !



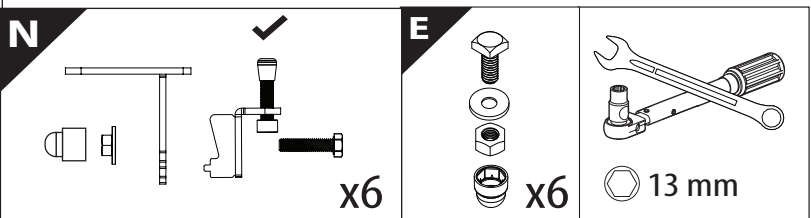
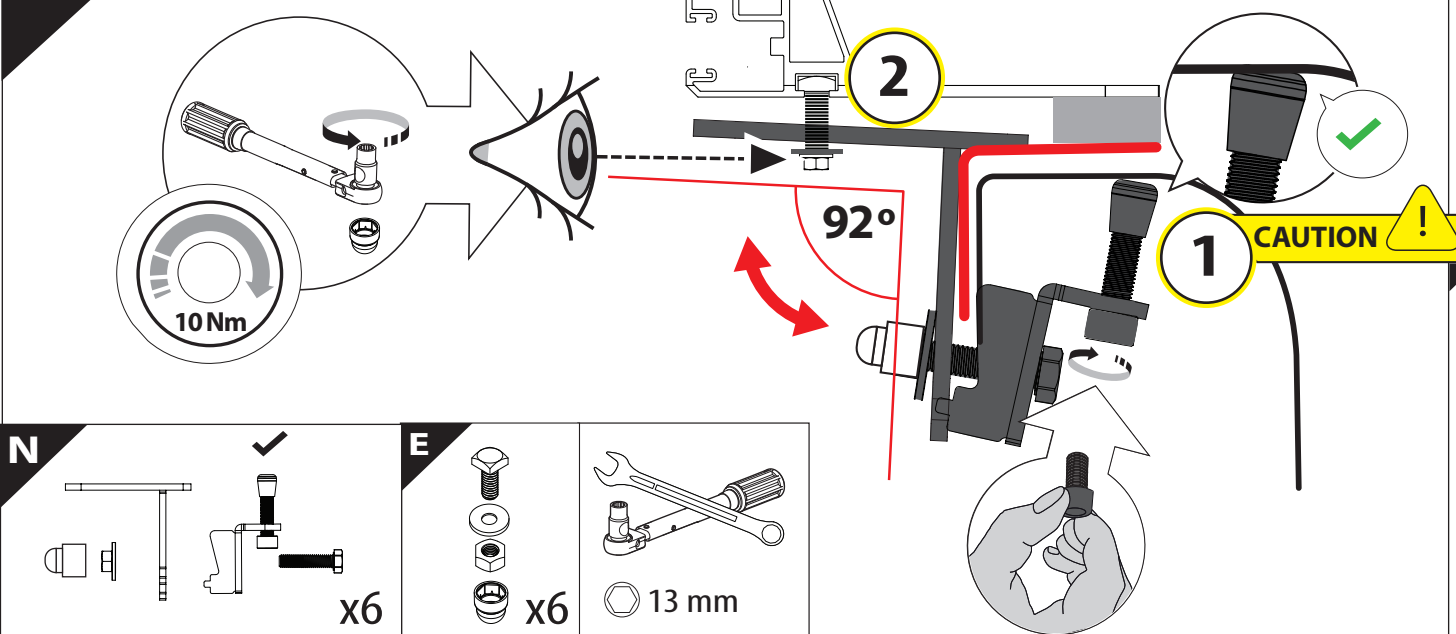
X

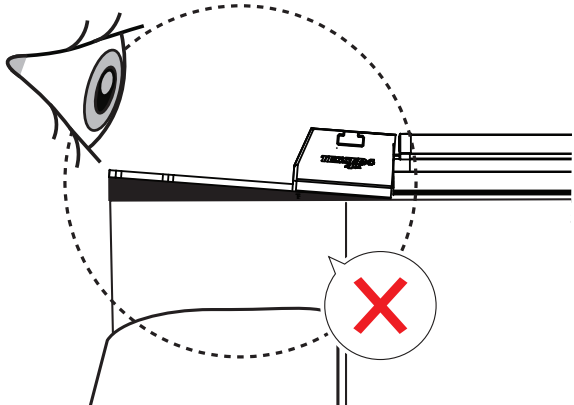
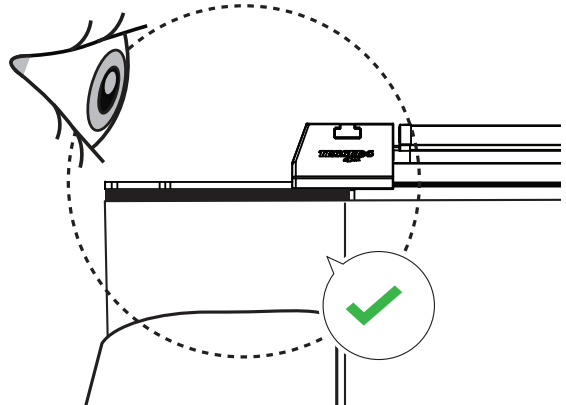
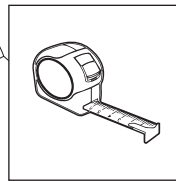
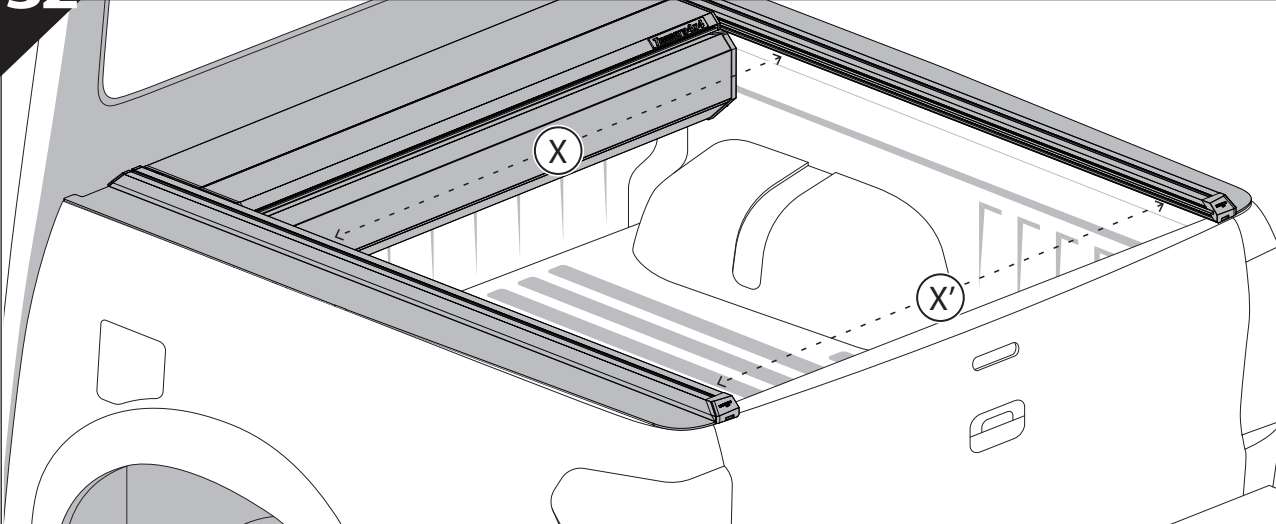
X'



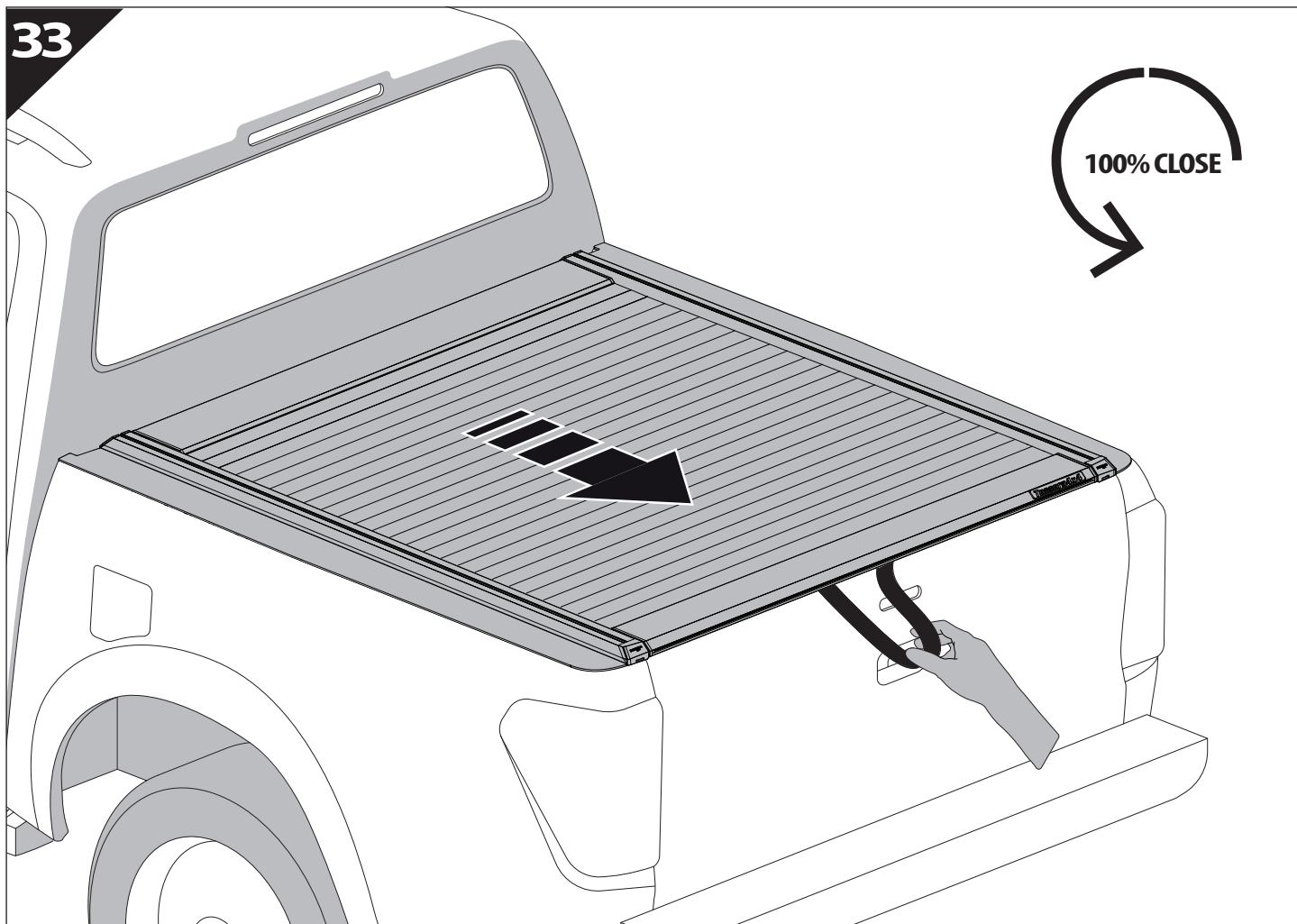


31.0

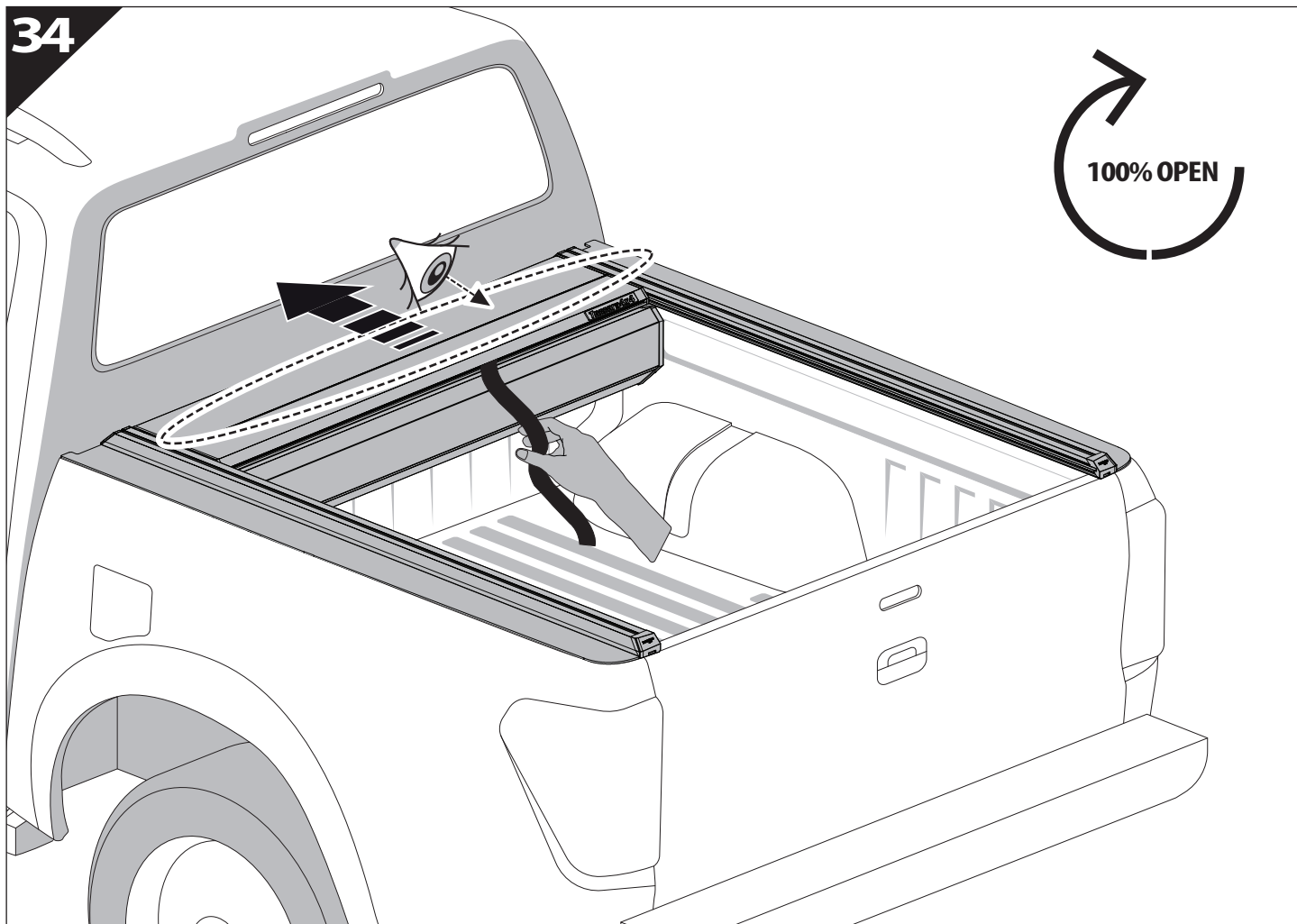




33



34





GR: Οδηγίες Εγκατάστασης
GB: Installation manual
SF: Asennusohje
F: Notice de montage
PL: Instrukcja montażu
NL: Installatie-instructies
TR: Montaj Talimatı
S: Monteringsanvisning
E: Instrucciones de montaje

H: Szerelési utasítás
P: Instruções de instalação
RUS: Инструкция по установке
N: Monteringsveiledning
D: Einbauanleitung
CZ: Návod k instalaci
I: Istruzioni de montaggio
DK: Monteringsvejledning
RO: Instructiuni de instalare

Customer Service:

+30 (210) 5541161, +30 (210) 5541154 (08:00 - 16:00 EET)

Support department:

info@gianso.gr

Website:

www.tessera4x4.com

Address:

19.5 km of National road Athens-Korinthos (Elefsina) Greece, P.C: 19240